

TUBULAR



THE EXPERIENCE OF A MANUFACTURER LEADER IN INNOVATION



NEW



CATALOG
09/2025

www.cosnet-livestock-equipment.com

New factory 15.000 m² extension, in progress.

Working for you for more than 45 years !

Cosnet Livestock Equipment is a Cosnet Industries brand, around 300 employees over 14,5 hectares state-of-the-art industrial facility with integrated metallurgy, galvanization and plastics factories.



Group brands and factories



“COSNET LIVESTOCK EQUIPMENT”, A COSNET INDUSTRIES GROUP BRAND

The French family-owned group Cosnet Industries employs around 300 employees over 14,5 hectares of industrial facility. It gathers metallurgy (SAS Cosnet and SAS Pasdelou), plastics (SAS Polymoule-La Gée) and galvanization (SAS Galva 72).

Located at the heart of Europe’s main livestock breeding region, the French western part, its products are used by breeders living in a more and more competitive market.

The Cosnet Industries group is a leader in the market for over 40 years thanks to Research and Development as well as most advanced production assets.

In order to meet the needs, Cosnet Industries keeps on innovating and sets high standards for its products quality.

Cosnet Livestock Equipment is a SAS Cosnet brand which divides its activity into 2 divisions: “Cosnet Livestock Equipment” gathering the tubular equipment for livestock buildings & pasture and

“Cosnet Agriculture” for its machinery.

Founded in 1979, SAS Cosnet is specialized in metallurgy, using most advanced transformation processes thanks to its laser boiler-making and metalwork technology. Focused on the livestock and agricultural equipment, the company is a market reference.

With many efficient machines for tube cutting and bending, it can quickly adapt the catalog’s product range. All the company’s know-how merge to manufacture sub-assemblies, handcrafted or more often with the help of the important robot fleet.

In order to answer the end-users needs, SAS Cosnet associates with the other Cosnet group industries thus bring together three know-hows: metallurgy, plastics and hot galvanization.

This know-how combination offers a better Cosnet ranges optimization and allow a faster development.

Since its creation, the company never stopped its evolution and its investments in different

production tools but also in Research and Development. SAS Cosnet often files patents within its market in order to propose the latest technologies.

The company’s constant search for innovation allows to answer the market needs and to always guarantee the respect of animal Welfare. Cosnet products are sold all over the world through a network of dealers, specialized in the livestock equipment business.

SAS Cosnet sets itself in an eco-responsible approach and is committed to sustainable development. Its products are galvanized by Galva 72, one of Europe’s state-of-the-art group’s factory, built to avoid any pollutant waste. Other practical actions are taken from production to shipping. For example, optimized electricity and gas consumption, recycling of wood, paper, ink cartridges, plastics residue, .

A DEALER NETWORK ALL OVER THE WORLD



Your livestock equipment is designed, developed and **MADE IN FRANCE**



PASTURE EQUIPMENT	04 - 21
■ Metal hay racks on feet	4
■ Creep Feeders	10
■ Gates, field gates and service gates	12
■ Panels and Mobiparcs	16
■ Feed troughs	18
LIVESTOCK BUILDING FIT-OUT FOR CALVES	22 - 43
■ Individual calf pens with movable partitions	22
■ Individual calf pens with fixed partitions	28
■ Rolling calf boxes	30
■ Individual galvanized metal calf pens	34
■ Collective calf pens	36
LIVESTOCK BUILDING FIT-OUT FOR CATTLE	44 - 90
■ Headlock panels	44
■ Feed panels	56
■ Experimental Cosnet farm	60
■ Posts, "Easyprotec" sleeves and mounting accessories	61
■ Barn Gates and Panel H.1,15m	68
■ Barn Gates and Panel H.0,79m	72
■ Cow passages equipment and corridor	73
■ Finger gates	74
■ Lifting barrier	75
■ Stall hay racks	76
■ Caesarean stall, unit & blocking panel	77
■ Gates, "Securipass" doors and drinkers protection	78
■ Cubicles installation advices	79
■ Cubicles: on-feet	80
■ Cubicles: free-standing	81
■ Installation accessories for single-leg and self-supporting cubicles	82
■ Adjustable suspended cubicles	84
■ Installation accessories for adjustable suspended cubicles	86
■ Accessories for cubicles and corridor dividers	88
■ FLEXISTALLS in nylon	89
■ Brisket boards for cubicles	90
■ Wither bars for single-legged, self-supporting and adjustable suspended cubicles	91
■ Anti-progression system for single-legged, self-supporting and adjustable suspended cubicles	92
A PERFORMING FRENCH INDUSTRY	93

NEW

NEW



Plus product

Patented



Gives the key benefits of the product.



We file patents on our products to protect the innovation that will serve your passion.



SINGLE METAL HAY RACKS

These new-generation single hay racks are designed to open on three sides: two sides and the side opposite the hitch (excluding RTT and RTE with a gate opposite the hitch).

Their structure is hot-dip galvanised after assembly.

They are factory fitted with:

- bottom sheets reinforced by two cones to center round bales, with the ends drilled with several holes to evacuate moisture,
- 'optimum' roof, with a wide curve to improve the installation of large hay bales and a larger covered surface to better protect them from the rain,
- the height of the roof and pads can be adjusted by through bolts,
- folding tow bar (except RTT, U bar using the five rails),
- monoblock hitch panel to reduce assembly time and contribute to the structure's strength.

These hay racks are perfect for the distribution of round fodder bales in pastures.



options [page 7](#)

1 RTT DROP PANEL HAY RACK



**Anti-waste.
Excellent value for money.
Suitable for dairy cattle.**

The drop panel hay rack is fitted with:

- 2 drop panels to avoid waste,
- wither bars preventing animals from accessing the interior of the hay racks on the drop panel side.

Ø 25 mm bars mechanically welded after fitting in the lower and upper tubes for added strength.

2 m roofing.

Designed for hornless herds.

Delivered in kit.

■ Type : Drop panels

■ Material : Galvanised steel

Model	Number of feed spaces	Length m	Width m	Net weight kg	Code Unit	€ Ex. VAT	Packing Dealer
RTT	-	2	1.80	300	112 11 01		

3 RTLS FEED PANEL HAY RACK

The feed panel hay rack is fitted with:

- 4 reinforced feed panels assembled with notches on the Ø 60.3 mm side rails, connected to an upper bar,
- 2.25 m roofing.

Designed for horned or hornless herds.

Delivered in kit.

■ Type : Feed panels

■ Material : Galvanised steel

Model	Number of feed spaces	Length m	Width m	Net weight kg	Code Unit	€ Ex. VAT	Packing Dealer
RTLS	12	2	2	353	112 11 04		

2 RTF TOMBSTONE HAY RACK



**Reinforced tombstones.
Ideal for beef cattle, suitable for horned cattle.**

The tombstone panel hay rack is fitted with:

- 4 full-access tombstone panels with notches on Ø 60.3 mm side rails,
- 2.25 m roofing.

Designed for horned or hornless herds.

Delivered in kit.

■ Type : Tombstone panels

■ Material : Galvanised steel

Model	Number of feed spaces	Length m	Width m	Net weight kg	Code Unit	€ Ex. VAT	Packing Dealer
RTF	12	2	2	344	112 11 03		



Loading and packing of hay rack [page 7](#)



Model shown with the hitch protection kit option and the special roof for equines.

4 RTC II SELF-LOCKING HEADLOCK HAY RACK



Fitted with quick release polymer tabs and an automatic handle.



Patented elastic spring system.



"Comfort SR self-locking headlock"

The RTC II hay rack is fitted with:

- 4 headlock panels using 'comfort SR' stall headlock panel technology,
 - anti-choke system,
 - patented elastic spring system,
 - quick release polymer tabs and automatic handle,
 - 2.25 m roofing.
- Designed for hornless herds.
Delivered in kit.

■ Type : "Comfort SR" self-locking headlock ■ Material : Galvanised steel

Model	Number of feed spaces	Length m	Width m	Net weight kg	Code Unit	€ Ex. VAT	Packing Dealer
RTC II	12	2	2	470	112 11 06		

5 RTO DIAGONAL PANEL HAY RACK

The RTO hay rack is fitted with:

- 4 reinforced diagonal panels assembled with notches in a Ø 60.3 mm side rail frame with high straight feed ports;
- 2.25 m roofing.

Designed for horned or hornless herds.
Delivered in kit.

■ Type : Diagonal panels ■ Material : Galvanised steel

Model	Number of feed spaces	Length m	Width m	Net weight kg	Code Unit	€ Ex. VAT	Packing Dealer
RTO	12	2	2	340	112 11 21		

6 STRAIGHT RTE PANEL HAY RACK "SPECIAL EQUINES"

The 'equine' RTE panel hay rack allows the distribution of hay in round bales and small square bales for ten horses.

The RTE hay rack is fitted with:

- 4 reinforced panels assembled with notches in a Ø 60.3 mm side rail frame with high straight feed ports.
- 2.25 m roofing.

Delivered in kit.

■ Type : Horse neck panels ■ Material : Galvanised steel

Model	Number of feed spaces	Length m	Width m	Net weight kg	Code Unit	€ Ex. VAT	Packing Dealer
RTE	20	2	2	350	112 11 23		

Technical characteristics of hay rack



Reinforced square 60 mm tow bar (thickness 5 mm) (excluding RTT). Very stable and easy to position.




Tow bar with reinforced monoblock lift link drawbar. The height of the ski-shaped feet can be adjusted by through bolts.



Reinforced bottom with bale centring cone and rainwater drain holes.



DOUBLE METAL HAY RACKS

+PRODUCT  **Three-side opening.**
Factory-fitted bottom reinforcement.

Three-side opening.

Factory-fitted bottom reinforcement.

These new-generation double hay racks are designed to open on three sides: the two wide sides and the side opposite the hitch. With a total length of 3 m, these double hay racks are factory fitted with two Ø 60.3 mm bottom reinforcement bars (thickness 3.2 mm). **(A)**

Their structure is hot-dip galvanised after assembly. Their design, incorporating four main 3 mm thick uprights, is very robust.

They are factory fitted with:

- bottom sheets reinforced by two cones to centre round bales. Ends drilled with several holes to evacuate moisture.
- 'optimum' roof, with a wide curve to improve the installation of large hay bales and a larger covered surface to better protect them from the rain,
- the height of the roof and pads can be adjusted by through bolts,
- monoblock hitch panel to reduce assembly time and contribute to the structure's strength,
- Folding tow bar,
- 2 Ø 60.3 mm bottom reinforcement tubes (thickness 3.2 mm),
- Side reinforcement bars and roof protection kit.

Double pasture hay racks are suited to the distribution of hay in large square or round bales in fields.



1 RDTF II DOUBLE TOMBSTONE HAY RACK

+PRODUCT  **3.10 m 'optimum' roof.**
Reinforced tombstones.

The double tombstone hay rack is fitted with:

- 4 full-access tombstone panels with notches on Ø 60.3 mm side rails,
- 3.10 m roofing.

Designed for horned or hornless herds.

Delivered in kit.

■ Type : Tombstone panels ■ Material : Galvanised steel

Model	Number of feed spaces	Length m	Width m	Net weight kg	Code Unit	€ Ex. VAT	Packing Dealer
RDTF II	14	3	2	467	112 10 01		

2 RDTLS II DOUBLE FEED PANEL HAY RACK

The double feed panel hay rack is fitted with:

- 4 reinforced feed panels assembled with notches on the Ø 60.3 mm side rails, connected to an upper bar,
- 3.10 m roofing.

Designed for horned or hornless herds.

Delivered in kit.

■ Type : Feed panels ■ Material : Galvanised steel

Model	Number of feed spaces	Length m	Width m	Net weight kg	Code Unit	€ Ex. VAT	Packing Dealer
RDTLS II	14	3	2	480	112 10 03		

3 RDTCC II DOUBLE SELF-LOCKING HEADLOCK HAY RACK



Fitted with quick release polymer tabs and an automatic handle.



Patented elastic spring system.

+PRODUCT  **"Comfort SR self-locking headlock"**

The double self-locking headlock hay rack is fitted with:

- 4 headlock panels using 'comfort SR' headlock panel technology,
 - anti-choke system,
 - patented elastic spring system,
 - quick release polymer tabs and automatic handle,
- 3.10 m roofing.

Designed for hornless herds.

Delivered in kit .

■ Type : "Comfort SR" self-locking headlock ■ Material : Galvanised steel

Model	Number of feed spaces	Length m	Width m	Net weight kg	Code Unit	€ Ex. VAT	Packing Dealer
RDTCC II	14	3	2	620	112 10 05		

GATE PANEL FOR METAL HAY RACK

Model	Type	Number of feed spaces	Length m	Net weight kg	Code Unit	€ Ex. VAT	Packing Dealer
RTO	Diagonal panel	3	1.83	32	115 05 53		
RTLS	Feed panel	3	1.83	33	115 05 48		
RTF	Tombstone panel	3	1.83	32	115 05 47		
RTC II	Comfort SR headlock panel	3	1.83	45	115 05 43		
RDTLS II	Feed panel	4	2.84	48	115 05 52		
RDTF II	Tombstone panel	4	2.84	43	115 05 46		
RDTC II	Comfort SR headlock panel	4	2.84	87.50	115 05 42		

REINFORCEMENT FOR THE BOTTOM OF A SINGLE METAL HAY RACK

During assembly, two reinforcement bars fit into the ribs at the bottom of the hay rack's feed trough. They rest on their front and rear ends. These hay rack bottom reinforcement bars are required for heavy fodder, such as wrapped hay. Only compatible with 2 x 2 m hay racks.



■Material : Galvanised steel

Diameter mm	Thickness mm	Length m	Net weight kg	Code Unit	€ Ex. VAT	Packing Dealer
60.3	3.2	1.89	9.2	112 11 46		

ROOF PROTECTION KIT FOR METAL HAY RACK



Protective bars that fit around the ends of the metal sheet roof. Protects animals from possible injury to the head. For metal pasture hay rack.

■Material : Galvanised steel

Model	Net weight	Code Unit	€ Ex. VAT	Packing Dealer
RDTF II, RDTC II, RDTLS II	30	112 11 45		
RTLS, RTF, RTO, RTC II, RTE	28	112 11 43		
RTT	25	112 11 41		

HITCH PROTECTION KIT FOR METAL HAY RACK

Protects animals from possible injury when towing.



Model	Net weight kg	Code Unit	€ Ex. VAT	Packing Dealer
RTT/RTF/RTC/RTO/RTLS/RTE/RDTF II/RDTC II/RDTLS II	2.2	112 11 35		

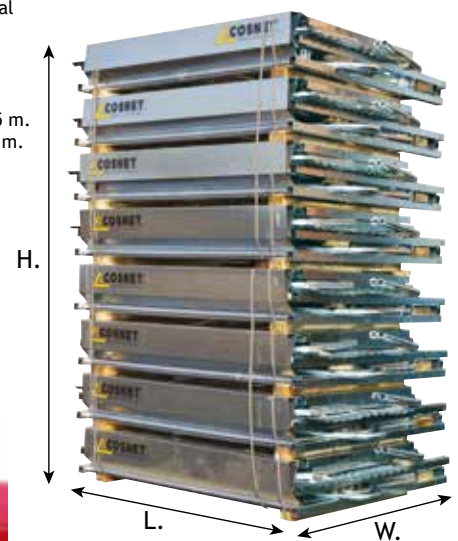
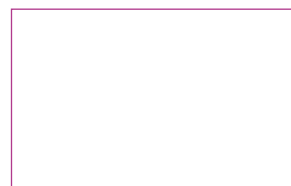
Loading and packing hay racks (round or on feet)

Hay rack	Length. m	Width. m	Height. (m) for stacked by			
			4	6	7	8
RTT	2.20	2.05	1.65	2.30	2.65	3.00
RTF	2.25	1.60	1.15	1.75	1.95	2.30
RTLS	2.25	1.65	1.55	2.25	2.75	-
RTC II	2.25	1.60	1.65	2.50	-	-
RTO	2.25	1.60	1.50	2.25	2.63	3.00
RTE	2.25	1.60	1.50	2.25	2.63	3.00
RDTF	3.10	1.60	2.10	3.15	-	-
RDTLS	3.10	1.60	2.10	3.15	-	-
RDTC II	3.10	1.60	2.10	3.15	-	-
RC	2.30	1.20	-	2.65	-	-
RDC	2.55	1.20	2.35	-	-	-

Our hay racks on feet are packed by unit in order to facilitate the delivery to the end customer. They are packaged as stacks to improve transport and storage for our dealers.

N.B.:

- for loading on a flatbed trailer truck :
 - max available height 3.10 m, (total authorised height 4.50 m.).
- for loading on a tautliner :
 - standard, max. available height 2.60 m.
 - mega, max. available height 2.85 m.
- Possible loading length up to 13.5 m.



ROUND METAL HAY RACKS



Reinforced tombstones.

Round and double round pasture hay racks are easy to use and cost effective.

- hot-dip galvanised after assembly,
- reinforced tombstones crossing the chassis down to the ground with central reinforcement assembled by notching to the installation on masonry,
- Ø 48,3 mm tube frame,
- filled from the top or by opening one of the panels.



ROUND RC HAY RACK

Has a fixed 3-point hitch made out of thick laser-cut metal sheet. Designed for horned or hornless herds.

Options : Hitch protection kit (112 11 37), roof (112 11 13)

■ Material : Galvanised steel

■ Type : tombstone

Number of feed spaces	Diameter m	Net weight kg	Code Unit	€ Ex. VAT	Packing Dealer
12	2.30	192	112 11 11		

ROOF FOR ROUND RC HAY RACK



Roof height can be adjusted and tilts to fill the hay rack with hay. Only compatible with the RC hay rack (112 11 11).

■ Material: Galvanised steel

Net weight kg	Code Unit	€ Ex. VAT	Packing Dealer
113	112 11 13		

HITCH PROTECTION KIT FOR METAL HAY RACK

Protects animals from possible injury when towing.



Model	Net weight kg	Code Unit	€ Ex. VAT	Packing Dealer
RC	2	112 11 37		

DOUBLE ROUND RDC HAY RACK

Designed for horned or hornless herds.

Fitted with eight squaring pins which fasten onto the bolts. In some cases, this system prevents the hay rack from folding onto itself. Delivered without hitch.

■ Type : tombstone

■ Material : Galvanised steel

Number of feed spaces	Length m	Width m	Net weight kg	Code Unit	€ Ex. VAT	Packing Dealer
16	3.55	2.05	246	112 11 12		

GATE PANEL FOR METAL HAY RACK AT DETAIL

Model	Number of feed spaces	Length m	Net weight kg	Code Unit	€ Ex. VAT	Packing Dealer
Straight tombstone panel	3	2.37	48	115 05 51		



1 DOUBLE HAY RACK ON FEET FOR SHEEP AND GOATS



Robust and stable thanks to its 4 ski-shape feet. Option height-adjustable roof.

Double hay rack with feed trough included. Allows the distribution of hay in small bales or loose. Monoblock ends for more strength while reducing wastage. Can accommodate a height-adjustable roof as an option. Delivered in kit.

- Type : Tube panels
- Capacity : 240 trough l
- Material : Galvanised steel

Length m	Width m	Net weight kg	Code Unit	€ Ex. VAT	Packing Dealer
2.40	1.17	95	PG102 07 62		

2 ROOF PROTECTION FOR METAL HAY RACK

Protective bars that fit around the ends of the sheet metal roof. Protects cattle from possible injury to head.

- Material : Galvanised steel

Length m	Width m	Net weight kg	Code Unit	€ Ex. VAT	Packing Dealer
2.80	1.40	40	PG102 07 63		



Hay racks also available in PASDELOU range. PASDELOU T&C's apply.



"EVOLUTIF" CREEP FEEDERS

+PRODUCT **Adapts to your needs.**

Hot-dip galvanized structure, delivered as a kit , quick assembly with screws:

- hopper with 60.3 mm diameter tube base ensures perfect stability of the structure ,
- flow rate is adjusted via a sliding hatch locked by three points (2 m models) and four points (3 m models) and which can be fully closed,
- flap top with secure locking system in closed position,
- three-point two bar for empty moving in the field, reinforced by a very thick screwed plate.

(To be equipped by driving plates for use on public roads with the 3 m model).

The capacity of "Evolutif" feeders can be adjusted according to the increasing feed requirements of cattle.

Their storage capacity can be increased through the addition of one or two raising extensions.

They are also designed to receive selective entry tilting pen to feed calves. Use without pen for large cattle.



"EVOLUTIF" 2 M FEEDER



750 L Model

+PRODUCT **Adaptive feeder from 1.100 to 1.450 liters with the addition of a 350 PLUS raising extension.**

The 750 l model is delivered in one package. The 1.100 l model is delivered in two packages (the feeder and one raising extension).

Options : raising extension (1120527) and pen (1120523)

■Material : Galvanised steel

Capacity l	Length m	Width m	Height m	Net weight kg	Code Unit	€ Ex. VAT	Packing Dealer
750	2	1.42	1.35	252	112 05 21		
1 100	2	1.42	1.35	252	112 05 20		

"EVOLUTIF" 3 M FEEDER



1000 L Model

+PRODUCT **Adaptive from 1.500 to 2.000 liters with the addition of a 500 PLUS raising extension.**

The 1.000 l model is delivered in one package. The 1.500 l model is delivered in two packages (the feeder and one raising extension).

Options : raising extension (1120515) and pen (1120509)

■Material : Galvanised steel

Capacity l	Length m	Width m	Height m	Net weight kg	Code Unit	€ Ex. VAT	Packing Dealer
1 000	2.95	1.42	1.35	310	112 05 07		
1 500	2.95	1.42	1.35	310	112 05 06		

PEN FOR "EVOLUTIF" FEEDER

+PRODUCT **Tilting**

This tilting pen features several selective entries on the stable front, the widths of which can be adjusted, and 42.4 mm diameter 5-rail side barriers. It is fitted with ski feet for moving around the field when empty. Rigid fastening of the front selective barrier attached to the side panels.

■Material : Galvanised steel

For model	Number of feed spaces	Length m	Width m	Height m	Net weight kg	Code Unit	€ Ex. VAT	Packing Dealer
Scalable 2 m feeder	3	2	3.10	1.35	92	112 05 23		
Scalable 3 m feeder	5	3,10	2	1.35	111	112 05 09		

RAISING EXTENSION FOR "EVOLUTIF" FEEDER

Raising extensions for scalable feeders increase cattle feeder capacity. 1.000 and 1.500 l "Evolutif" feeders can be fitted with an extra raising extension for a respective total capacity of 1.450 l and 2.000 litres.

■Material : Galvanised steel

■Height : 0.27 m

■Width : 0.76 m

Type	For model	Capacity l	Length m	Net weight kg	Code Unit	€ Ex. VAT	Packing Dealer
350 PLUS raising extension	Scalable 2 m feeder	350	1.87	33	112 05 27		
500 PLUS raising extension	Scalable 3 m feeder	500	2.80	44	112 05 15		

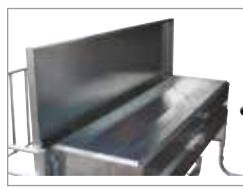


1 + 3 = Code 112 05 20

Model above = Code 112 05 21 + Code 112 05 27 + Code 112 05 23



3-point hitch. Reinforced by a thick bolted plate.



Tilting roof with secure locking system in closed position.



4 + 6 = Code 112 05 06

Model above = Code 112 05 07 + Code 112 05 15 + Code 112 05 09



EXTENDABLE Ø 42.4 MM 5-RAIL FIELD GATES AND PANELS

Characteristics :

- Hot-dip galvanised after assembly,
- 50 x 50 mm thickness 2 mm, front and rear uprights,

Rear section:

- 5 diam. 42.4 mm cross rails with locks on two rails through cage bolts and nuts,
- Ø 42.4 mm spacers with round notches,
- Rapid fastening and adjustment thanks to a flat bracket on the top and a threaded eye bolt in a sleeve on the lower part .

Front section:

- 5 diam. 34 mm cross rails,



Robust and multi-purpose.

The single latch rail gate can be converted into a double latch version at any time.

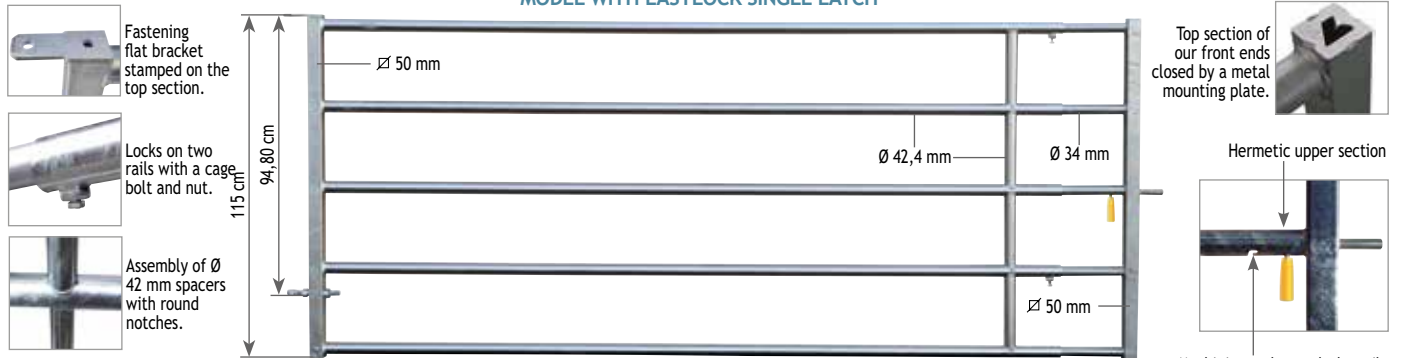
Available in various versions :

- panel with two fastening flat brackets to screw to the 94.8 cm centre distance,
- 1 Ø 20 mm "Easylock" automatic lock, guided in a rail,
- 2 Ø 20 mm "Easylock" locks, guided in two rails,
- drinker/column opening.
- drinker/column opening.

Numerous mounting accessories suitable for all arrangements.

These field gates and panels can also be used to stable heifers under six months old.

MODEL WITH EASYLOCK SINGLE LATCH



model presented 3 to 4 m Code 112 14 22

Latch threaded in the rails of the front section of the gate.
Safe and without risk of snagging collars.

EXTENDABLE Ø 42.4 MM FIELD GATE WITH Ø 34 MM MULTI-PURPOSE FRONT END SINGLE LATCH



Factory-fitted with one "Easylock" latch to assemble in one of the rails on the front section of the gate, pre-cut to receive it.

- Material : Galvanised steel
- Height : 1.15 m
- Number of rails : 5 rails
- Diameter : 42.4/34 mm

Length m	Number of spacers	Net weight kg	Code Unit	€ Ex. VAT	Packing Dealer
1.10 to 2	New 1	43	112 14 18		
2 to 3	1	43	112 14 20		
3 to 4	1	54	112 14 22		
4 to 5	2	66	112 14 24		
5 to 6	3	77	112 14 26		
6 to 7	3	90	112 14 28		

EXTENDABLE Ø 42.4 MM FIELD PANEL WITH Ø 34 MM MULTI-PURPOSE FRONT END

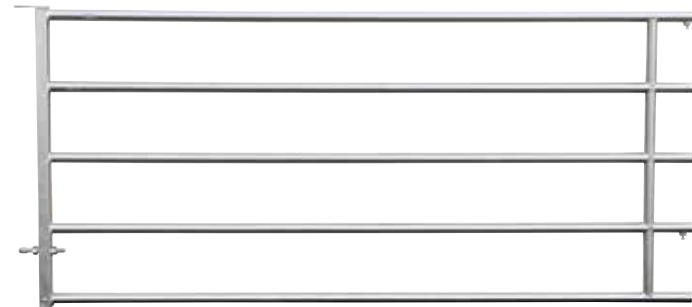


Delivered with 2 plates to screw as standard. Can be used for young dairy cows.

- Material : Galvanised steel
- Height : 1.15 m
- Number of rails : 5 rails
- Diameter : 42.4/34 mm

Length m	Number of spacers	Net weight kg	Code Unit	€ Ex. VAT	Packing Dealer
1,10 to 2 New	1	43	112 14 19		
2 to 3	1	43	112 14 21		
3 to 4	1	54	112 14 23		
4 to 5	2	66	112 14 25		
5 to 6	3	77	112 14 27		

Ø 42.4 MM FIELD REAR PANEL

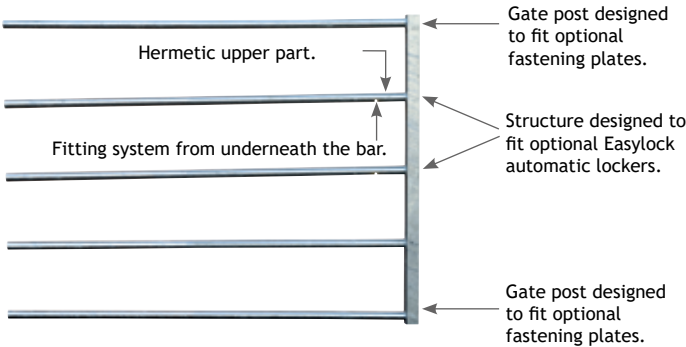


Only compatible with Ø 34 mm front ends.

- Material : Galvanised steel
- Height : 1.15 m
- Number of rails : 5 rails
- Diameter : 42.4 mm

Length m	Number of spacers	Net weight kg	Code Unit	€ Ex. VAT	Packing Dealer
1.10 to 2 New	1	13	112 13 18		
2 to 3	1	23	112 13 20		
3 to 4	1	34	112 13 22		
4 to 5	2	46	112 13 24		
5 to 6	3	57	112 13 26		
6 to 7	3	70	112 13 28		

MULTI-PURPOSE Ø 34 MM FIELD FRONT END

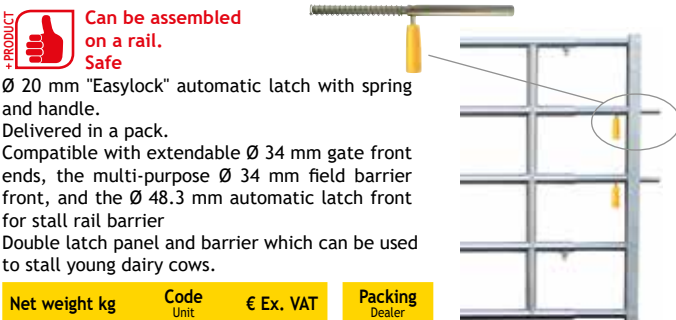


Combined front end designed to receive, as desired:
- 1 or 2 "Easylock" (112 14 37) automatic latches to design a field barrier front end.
or -
2 fastening flat brackets (112 14 39) to design a pasture panel front end.
Double latch panel and barrier which can be used to stall young dairy cows.

- Material : Galvanised steel
- Height : 1.15 m
- Number of rails : 5 rails
- Diameter : 34 mm

Length m	Net weight kg	Code Unit	€ Ex. VAT	Packing Dealer
1.55	19	112 13 42		

EXTRA "EASYLOCK" AUTOMATIC LATCH



+ PRODUCT
Can be assembled on a rail. Safe

Ø 20 mm "Easylock" automatic latch with spring and handle.
Delivered in a pack.
Compatible with extendable Ø 34 mm gate front ends, the multi-purpose Ø 34 mm field barrier front, and the Ø 48.3 mm automatic latch front for stall rail barrier
Double latch panel and barrier which can be used to stall young dairy cows.

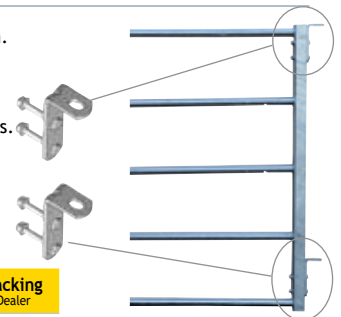
Net weight kg	Code Unit	€ Ex. VAT	Packing Dealer
2.5 New	112 14 37		

FASTENING PLATE FOR PANEL

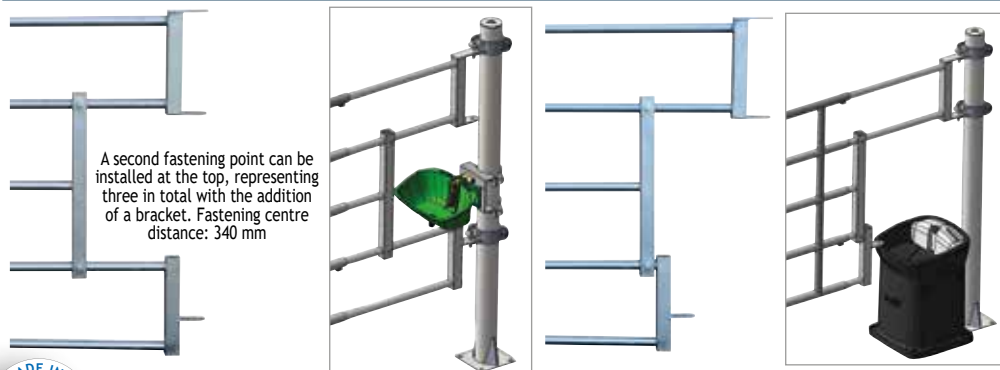
Pair of fastening flat brackets to screw on. Delivered with four bolts and nuts. Compatible with the Ø 34 mm multi-purpose pasture front end and the Ø 42.4 mm extendable front gates. Not compatible with the 6 to 7 m back.

- Material : Galvanised steel
- Fastening centre distance : 94.8 mm

Net weight kg	Code Pair	€ Ex. VAT	Packing Dealer
1 New	112 14 39		



Ø 34 MM PASTURE FRONT END DRINKER/COLUMN OPENING



A second fastening point can be installed at the top, representing three in total with the addition of a bracket. Fastening centre distance: 340 mm

Front end designed to leave an opening for a drinker or column. Column opening fastening centre distance: 340 mm. Drinker opening fastening centre distance: 948 mm.
Only compatible with Ø 42.4 mm pasture rear gates.

- Material : Galvanised steel
- Number of rails : 5 rails
- Height : 1.15 m

Length m	Net weight kg	Code Unit	€ Ex. VAT	Packing Dealer
1.61	21	112 13 40		





EXTENDABLE Ø 42.4/35 MM 5-RAIL FIELD GATES AND PANELS

Characteristics:

- Hot-dip galvanised after assembly,
- 50 x 50 mm thickness 2 mm, front and rear uprights,

Rear section:

- 3 tubes Ø 42.4 mm
- 2 tubes Ø 35 mm
- Rapid fastening and adjustment thanks to a flat bracket on the top and a threaded eye bolt in a sleeve on the lower part.



Robust and multi-purpose. The single latch rail gate can be converted into a double latch version at any time.

Front section:

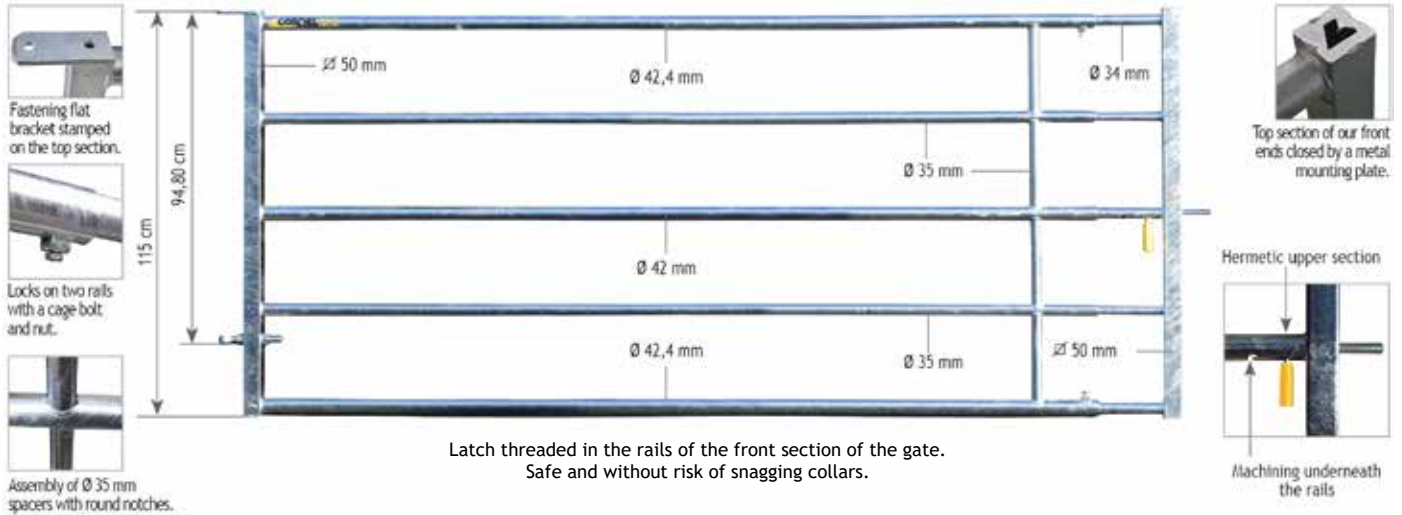
- 3 tubes Ø 33.7 mm
- 2 tubes Ø 26.9 mm

Available in various versions:

- panel with two fastening flat brackets to screw to the 94.8 cm centre distance,
- 1 Ø 20 mm "Easylock" automatic latch, guided in a rail,
- 2 Ø 20 mm "Easylock" locks, guided in two rails,
- drinker/column opening.
- drinker/column opening.

Numerous mounting accessories suitable for all arrangements.

These field gates and panels can also be used to stable heifers under six months old.



EXTENDABLE Ø 42.4/35 MM FIELD GATE WITH Ø 34 MM MULTI-PURPOSE FRONT END SINGLE LATCH

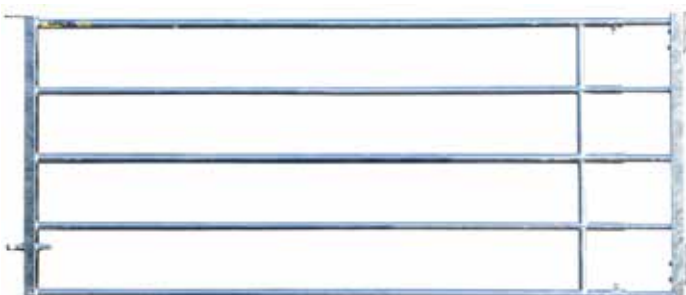


Factory-fitted with one "Easylock" latch to assemble in one of the rails on the front section of the gate, pre-cut to receive it.

- Material : Galvanised steel
- Diameter : 42.4/35 mm
- Number of rails : 5 rails
- Number of locks : 1
- Height : 1.15 m

Length m	Number of spacers	Net weight kg	Code Unit	€ Ex. VAT	Packing Dealer
2 to 3	1	38	112 14 50		
3 to 4	1	47	112 14 51		
4 to 5	2	58	112 14 52		
5 to 6	3	70	112 14 53		

EXTENDABLE Ø 42.4/35 MM FIELD PANEL WITH Ø 34 MM MULTI-PURPOSE FRONT END



Factory-fitted with two fastening flat brackets to screw on the front upright of the panel at a fastening centre distance of 94.8 cm.

- Material : Galvanised steel
- Height : 1.15 m
- Number of rails : 5 rails
- Diameter : 42.4/35 mm

Length m	Number of spacers	Net weight kg	Code Unit	€ Ex. VAT	Packing Dealer
2 to 3	1	38	112 14 60		
3 to 4	1	47	112 14 61		
4 to 5	2	58	112 14 62		
5 to 6	3	70	112 14 63		

Ø 42.4/35 MM FIELD GATES

Simple and economical field gates.
Hot-dip galvanised after assembly.



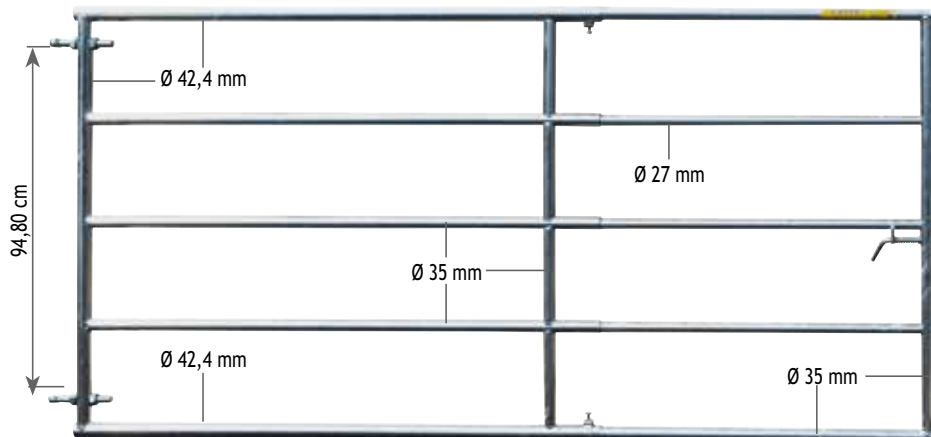
Excellent value for money.



2 Ø 22 mm threaded eye bolts with two bolts at the top and bottom.



Assembly of Ø 42 mm spacers with round notches.



2 rails locked by a bolt in a retaining nut.



1 Ø 14 mm spring lock.

EXTENDABLE FIELD GATE

Characteristics

Rear section:

- 2 Ø 42.4 mm top and bottom rails,
- 3 Ø 35 mm intermediary rails,
- Locks on two rails with a cage bolt and nut.
- 1 Ø 42.4 mm upright, - Ø 35 mm spacers with round notches.
- 2 Ø 22 mm threaded eye bolts with two bolts at the top and bottom.

Front section:

- 2 Ø 35 mm top and bottom rails,
- 3 Ø 27 mm inner rails,
- 1 Ø 35 mm upright fitted with a Ø 14 mm spring lock.

- Material : Galvanised steel
- Type : Extendable
- Shape : tube
- Number of rails : 5 rails
- Diameter : 42.4/35 mm
- Number of locks : 1

Length m	Number of spacers	Net weight kg	Code Unit	€ Ex. VAT	Packing Dealer
2 to 3	1	34	112 13 67		
3 to 4	1	38	112 13 69		
4 to 5	2	44	112 13 71		
5 to 6	3	55	112 13 73		

FIXED FIELD GATE



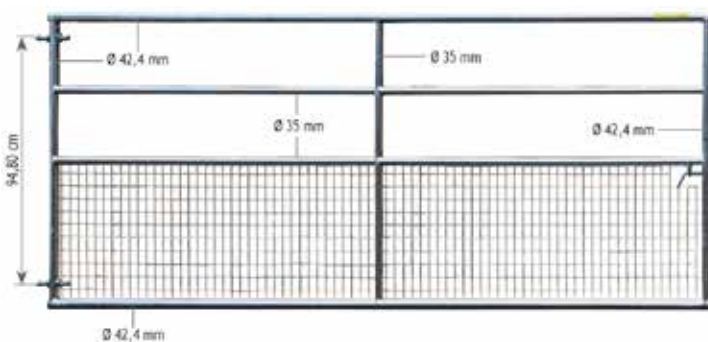
Features :

- 2 Ø 42.4 mm top and bottom rails,
- 3 Ø 35 mm intermediary rails,
- 2 Ø 42.4 mm uprights,
- Ø 35 mm spacers with round notches,
- 2 Ø 42.4 mm top and bottom rails.

- Material : Galvanised steel
- Type : fixed
- Number of rails : 5 rails
- Height : 1.15 m
- Diameter : 42.4/35 mm
- Number of locks : 1

Length m	Number of spacers	Net weight kg	Code Unit	€ Ex. VAT	Packing Dealer
3	1	26	112 13 59		
4	1	37	112 13 61		
5	2	42	112 13 63		

FIXED SEMI-MESHED FIELD GATE



Features:

- 2 Ø 42.4 mm top and bottom rails.
- 3 Ø 35 mm intermediary rails.
- 2 Ø 42.4 mm uprights
- 2 bottom spaces meshed in 50x50 4 mm mesh.

- Material : Galvanised steel
- Type : fixed semi-meshed
- Number of rails : 5 rails
- Height : 1.15 m
- Diameter : 42.4/35 mm
- Number of locks : 1

Length m	Number of spacers	Net weight kg	Code Unit	€ Ex. VAT	Packing Dealer
3	1	33	112 13 52		
4	1	43	112 13 54		
5	2	54	112 13 56		

SERVICE GATE

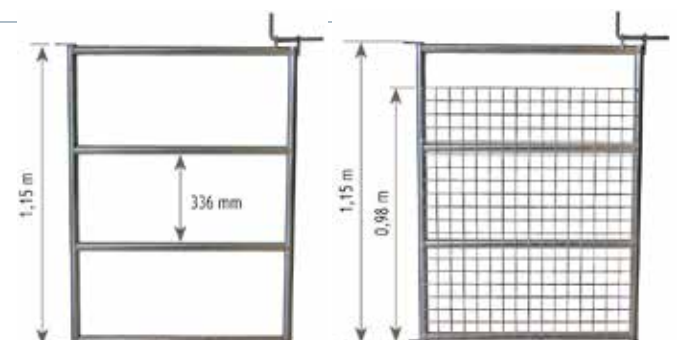
Hot-dip galvanised steel gate. Fitted with:

- 1 Ø 14 mm spring lock protruding 86 mm from the gate
- 2 wall fastening corner brackets which also serve as a pin, attached to the gate with Ø 12 mm screws.

- Material : Galvanised steel
- Height : 1.15 m
- Length : 0.90 m
- Diameter : 35 mm
- Number of rails : 4 rails
- Number of locks : 1



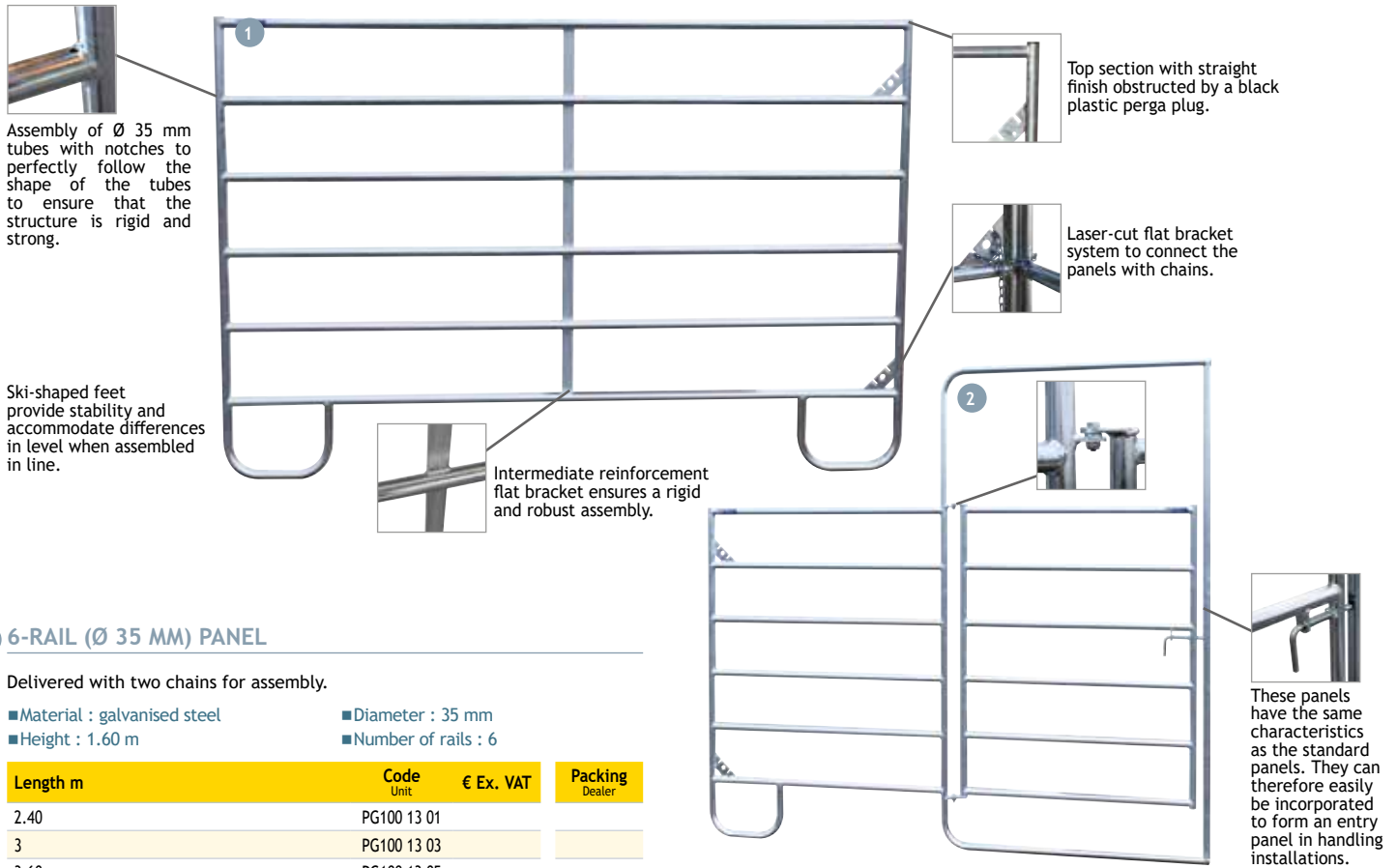
Model	Net weight kg	Code Unit	€ Ex. VAT	Packing Dealer
Standard	8.5	112 13 80		
meshed	9.5	112 13 81		



PANELS AND GATE PANELS

Lightweight and easy to handle. Can be moved as required.
Available in simple panels and gate panels. Each panel is fitted, at one end, with top and bottom flat brackets to lock a second panel with factory-fitted chains.

+PRODUCT  **Lightweight and easy to handle. Can be moved as required.**



Assembly of Ø 35 mm tubes with notches to perfectly follow the shape of the tubes to ensure that the structure is rigid and strong.

Ski-shaped feet provide stability and accommodate differences in level when assembled in line.

Intermediate reinforcement flat bracket ensures a rigid and robust assembly.

Top section with straight finish obstructed by a black plastic perga plug.

Laser-cut flat bracket system to connect the panels with chains.

These panels have the same characteristics as the standard panels. They can therefore easily be incorporated to form an entry panel in handling installations.

1 6-RAIL (Ø 35 MM) PANEL

Delivered with two chains for assembly.

- Material : galvanised steel
- Diameter : 35 mm
- Height : 1.60 m
- Number of rails : 6

Length m	Code Unit	€ Ex. VAT	Packing Dealer
2.40	PG100 13 01		
3	PG100 13 03		
3.60	PG100 13 05		

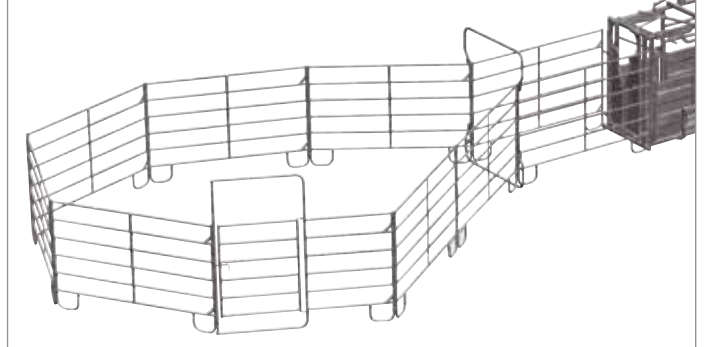
2 6-RAIL (Ø 35 MM) GATE PANEL

These panels have the same characteristics as the standard panels. They can therefore easily be incorporated to form an entry panel in handling installations.
Suitable for people and animals.
Delivered with two chains for assembly.

- Material : galvanised steel
- Number of rails : 6
- Height : 2.25 m
- Number of locks : 1

Length m	Code Unit	€ Ex. VAT	Packing Dealer
2.40	PG100 13 11		
3	PG100 13 13		
3.60	PG100 13 15		

implementation example



ADJUSTABLE Ø 42 MM LINK HOOP PANEL

The link hoop panel has the same characteristics as standard panels. Robust design using Ø 42.4 mm tubes. Width adjustable between 0.75 and 1.20 m.
Used to maintain the spacing of lines of panels on either side of a corridor while strengt hening the structure.

- Material : galvanised steel
- Height : 2.10 m
- Length : 0.75 m

Code Unit	€ Ex. VAT	Packing Dealer
PG100 13 09		



FASTENING FOR PANEL ASSEMBLY

Used to join panels. Safe assembly of two or three Ø 35 mm tubes. Delivered with screws.

- Material : galvanised steel

Fastening	Code Pair	€ Ex. VAT	Packing Dealer
3 for 2 tubes	PG100 13 21		
4 for 3 tubes	PG100 13 23		



Panels also available in PASDELOU range. PASDELOU T&C's apply.



PANEL TRANSPORT SUPPORT

+PRODUCT  **Robust design.**

Fitted with a 3-point towbar on a lift link drawbar. Its structure is a 120 x 60 mm rectangle, and it can accommodate 2.40/3.00 and 3.60 m panels, including panels with gates and link hoop panels. Factory-fitted with a ratchet strap, ensuring that the panels are securely maintained during transport.

Ideal for transporting a maximum of 20 panels.

On-road transport of lengths of over 2.40 m requires the use of a road signalling kit available as an option.

- Material : galvanised steel
- Height : 1.76 m
- Depth : 1.08 m
- Width : 1.15 m



Example of panel supports with 20 panels of 2.40 m



Code Unit	€ Ex. VAT	Packing Dealer
PG100 07 07		

48 M MOBIPARC

+PRODUCT  **Set ready for use with 48 m of panels in a straight line.**

The 48 M MOBIPARC includes:

- 19 panels 2.40 m,
- 1 gate panel 2.40 m,
- 1 panel transport support.


Allows the design of a pen with a length of 48 m.

- Width : 2.40 m
- Depth : 1.08 m
- Height : 2.37 m
- Material : Galvanised steel



Code Pack	€ Ex. VAT	Packing Dealer
PGFULLMOBI48		

38 M MOBIPARC

+PRODUCT  **Set ready to use with 38.4 m of panels in a straight line.**


The 38 M MOBIPARC includes:

- 15 panels 2.40 m,
- 1 gate panel 2.40 m,
- 1 panel transport support.

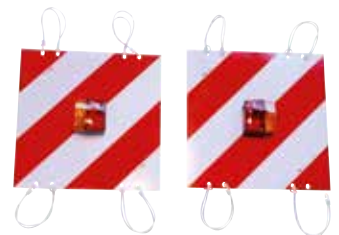
Allows the design of a pen with a length of 38.4 m.

- Width : 2.40 m
- Depth : 1.08 m
- Height : 2.37 m
- Material : Galvanised steel

ROAD SIGNALLING KIT

+PRODUCT  **Self-reflective. Approved for road use.**

Attaches using a system of elastic ties. Features 2 panels with integrated light system. Connection via 11.60 m of agricultural wiring.



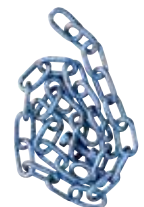
- Height : 43 cm
- Width : 43 cm

Code Unit	€ Ex. VAT	Packing Dealer
PG100 11 17		

EXTRA CHAINS TO FASTEN PANELS

Link chain Ø 4 mm and length 0,60m. Delivered with Ø 6 mm bolts - length 20 mm.

- Diameter : 4 mm
- Length : 600 mm




Code Pair	€ Ex. VAT	Packing Dealer
PG100 13 25		

Panels and Mobiparcs also available in PASDELOU range. PASDELOU T and C's apply.




REINFORCED PAINTED FEED TROUGHS

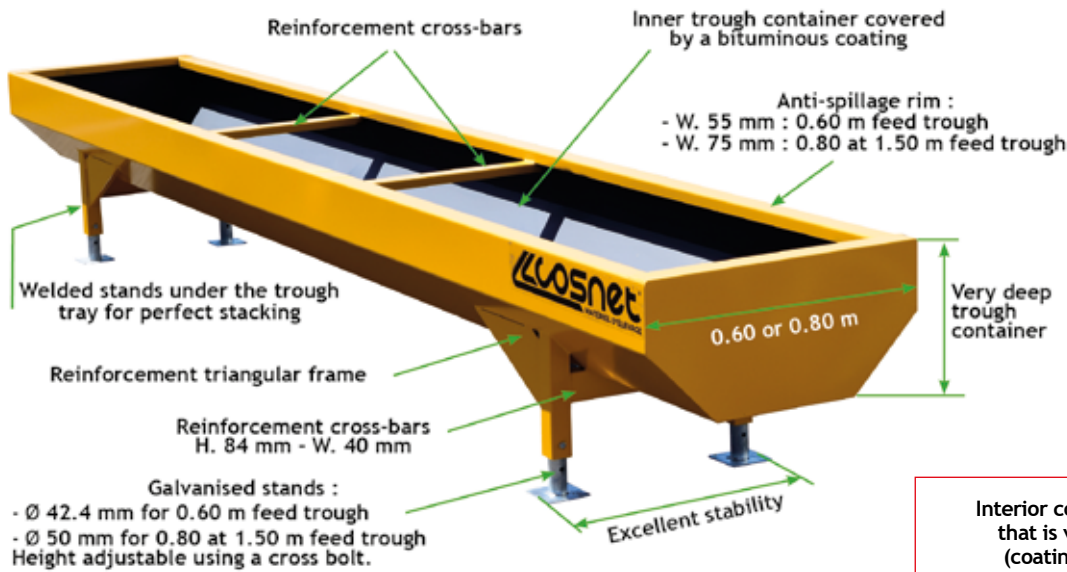
NEW: our feed troughs are now manufactured with a polyurethane paint, for even better longevity!

+PRODUCT  **Feed trough, interior bituminous coating. High-quality coating.**

- Manufactured from 2 mm sheet steel bent in a single length for greater rigidity,
- Angles are notched allowing the ends to be superimposed with a weld bead for more solidity,
- Anti-rust protection on the entire trough,
- Polyurethane paint applied on exterior pan,
- Bituminous coating applied on interior pan,
- Very deep trough,

Reinforced painted feed troughs are available in various widths (Total width): 0.60; 0.80; 1; 1.20, and 1.50 m. They are designed silage and feed for cattle.

- Reinforced painted feed troughs are fitted with:
- 2 reinforcing cross bars inside the feed trough,
 - 4 welded feed linked by cross bars under the feed trough pan up to 5 m and 6 feet for 6 m,
 - Anti-spillage rim's width of :
 - 75 mm for any troughs width from 0.80 to 1.50 m
 - 55 mm for troughs width 0.60 m
 - Ø 50 mm galvanised legs for any troughs width from 0.80 to 1.50 m and Ø 42.4 for any troughs width 0.60 m. Adjustable in height in groups of 7 cm by a through bolt to adjust the height or tilt the trough to limit waste,
 - 4 reinforcing triangular armpits between the foot and the pan to increase overall stability and solidity
 - 1 PVC threaded drain through wall plug (Ø 45 mm).



Interior coated with a bituminous coating that is very resistant to silage acidity (coating to be applied periodically).

REINFORCED PAINTED FEED TROUGH

Available in the following widths: 0.60 and 0.80 m. Highly appreciated for its quality, robustness, and durability.

■Material : Steel

Width m	Length m	Vol. l	Min. height cm	Max. height cm	Depth cm	Code Unit	€ Ex. VAT	Packing Dealer
0.60	3	480	55.5	69.5	30	112 01 05		
	4	640				112 01 09		
	4.5	720				112 01 11		
	5	800				112 01 13		
	6	960				112 01 15		
0.80	3	798	67	81	38	112 01 19		
	4	1,064				112 01 23		
	4.5	1,197				112 01 25		
	5	1,335				112 01 27		
	6	1,595				112 01 29		



LARGE WIDTH REINFORCED PAINTED FEED TROUGH

Available in the following widths: 1 m, 1.20 m, and 1.50 m. It offers farmers the possibility of removing silage with a front loader. Large width reinforced feed troughs are also fitted with:

- 1 central cone reinforcing the bottom

and improving silage intake for models of a width of 1.20 and 1.50 m.

■Material : Steel

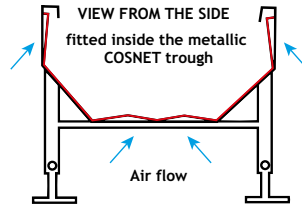
Width m	Length m	Vol. l	Min. height cm	Max. height cm	Depth cm	Code Unit	€ Ex. VAT	Packing Dealer
1	5	1,688	64.5	78.5	40	112 01 39		
	6	2,025				112 01 41		
1.20	5	2,300	70.5	84.5	44	112 01 51		
	6	2,800				112 01 53		
1.50	5	3,160	74	88	49	112 01 55		
	6	3,800				112 01 57		



FEED PAN FOR REINFORCED OR STANDARD METAL TROUGH



Improves the hygiene and service life of metal troughs



Made in polyethylene resin, UV stable, and frost resistant, it is highly acid-resistant. It optimises the service life of new metal troughs. Once inserted into the trough, the drain plug should be removed so as to ventilate the space between walls.

For standard 5 x 0.80 m painted metal feed troughs, galvanised and reinforced.

Length m	Width m	Height m	Code Unit	€ Ex. VAT	Packing Dealer
5	0.80	0.38	112 03 07		



Non contractual photo

BITUMINOUS COATING



Fodder approved.

Bituminous coating approved for use inside feed troughs. For a longer service life, this coating needs to be periodically re-applied (depending on the aggressiveness of the silage).

Type : Bituminous coating

Color : Black

Capacity kg	Code Unit	€ Ex. VAT	Packing Dealer
1	112 19 09		
5	112 19 11		



Choose carefully your troughs

Our tips to choose your trough according to the animal typology and its use:

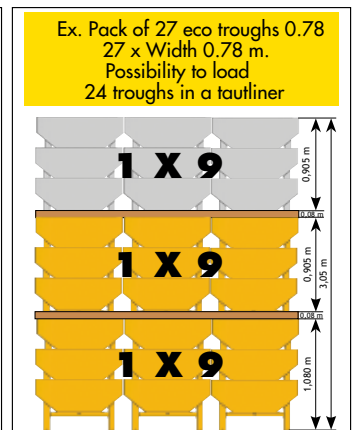
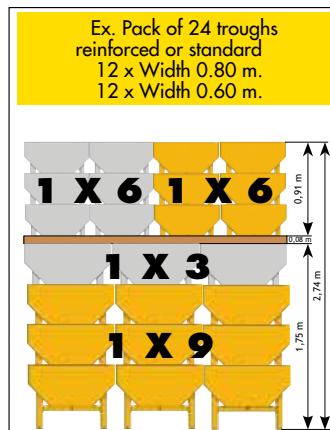
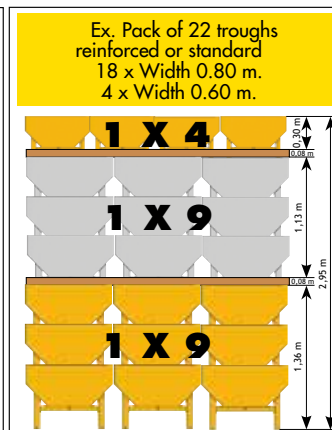
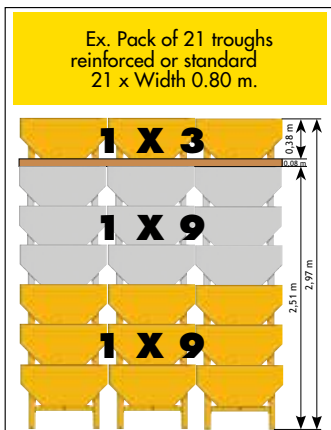
- width 0.60 m: for young animals, heifers, grassers, etc,
- width 0.80 / 1 m: for adult animal feeder stations, suckling or dairy cows and bull calves
- width 1. / 1.20 / 1.50 m: for feed distribution on both sides.

Packing and loading of reinforced, standard and eco 0,78 troughs 0,80 / 0,78 and 0,60 m.

To optimise loads and improve delivery quality, your trough packs must be composed using one of the methods proposed below. The packs can be composed of a mixture of packs of standard painted troughs and standard galvanised troughs. Cosnet reinforced troughs cannot be loaded into the same pack as standard troughs.

Remember :

- for loading on a truck bed. max available height 3.10 m. (total authorised height 4.50 m.). Possible load length 13.60 m + tolerated overhang of 0.60 m.
- for loading on a tautliner. max. available height (under rails): classic = 2.5 m / mega = 2.85 m. Possible load length 13.50 m.



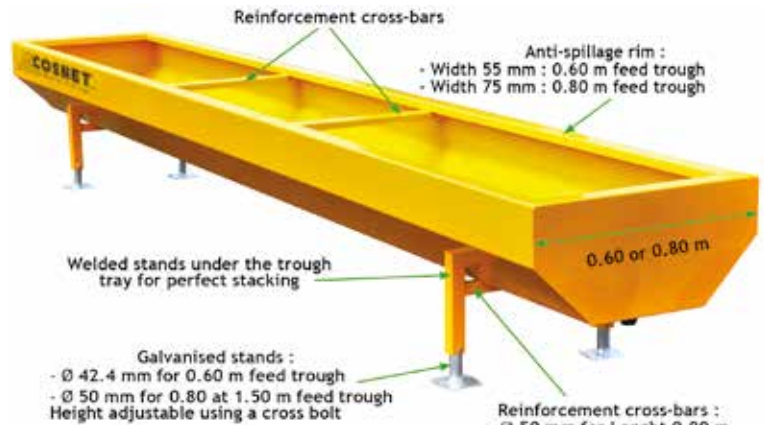
STANDARD PAINTED AND GALVANISED FEED TROUGHS

- Manufactured from 2 mm sheet steel bent in a single length for greater rigidity,
- Angles are notched allowing the ends to be superimposed with a weld bead for more solidity,
- Anti-rust protection on the entire trough,
- Polyurethane paint applied on pan interior and exterior,
- Very deep trough pan,
- Base smaller than trough width.

Standard feed troughs are fitted with:

- 2 reinforcing cross bars inside the feed trough,
 - 4 feet welded under the tray for troughs up to 5 m and 6 feet for 6 m. Feet connected by reinforcing cross bars.
 - Anti-spillage rim's width of :
 - 75 mm for any troughs width from 0.80 to 1.50 m
 - 55 mm for troughs width 0.60 m,
 - Ø 50 mm galvanised legs for any troughs width from 0.80 to 1.50 m and Ø 42.4 for any troughs width 0.60 m.
- Adjustable in height in groups of 7 cm by a through bolt to adjust the height or tilt the trough to limit waste,
- 1 PVC threaded drain through wall plug (Ø 45 mm).

NEW: our feed troughs are now manufactured with a polyurethane paint, for even better longevity!



Standard painted and galvanised feed troughs are available in two widths: 0.80 and 0.60 m. They are intended for cattle for feed and silage.

STANDARD PAINTED FEED TROUGH



New : Polyurethane outer paint.

Polyurethane paint coating applied on pan interior and exterior.

■Material : Steel

Width m	Length m	Vol. l	Min. height cm	Max. height cm	Depth cm	Code Unit	€ Ex. VAT	Packing Dealer
0.60	3	480	58.5	72.5	30	112 02 42		
	4	640				112 02 44		
	5	800				112 02 46		
	6	960				112 02 48		
0.80	3	798	65	79	38	112 02 50		
	4	1,064				112 02 52		
	5	1,335				112 02 54		
	6	1,595				112 02 56		

STANDARD PAINTED FEED TROUGH WITH BITUMINOUS COATED BOTTOM



New : Polyurethane outer paint.

Polyurethane paint coating applied on pan exterior. Bituminous coating applied on pan interior.

■Material : Steel

Width m	Length m	Vol. l	Min. height cm	Max. height cm	Depth cm	Code Unit	€ Ex. VAT	Packing Dealer
0.60	3	480	58.5	72.5	30	112 02 58		
	4	640				112 02 60		
	5	800				112 02 62		
	6	960				112 02 64		
0.80	3	798	65	79	38	112 02 66		
	4	1,064				112 02 68		
	5	1,335				112 02 70		
	6	1,595				112 02 72		

STANDARD GALVANISED FEED TROUGH



Hot-dip galvanised.

Loading page 19

Hot-dip galvanisation after manufacture for protection.

■Material : Galvanised steel

Width m	Length m	Vol. l	Min. height cm	Max. height cm	Depth cm	Code Unit	€ Ex. VAT	Packing Dealer
0.60	3	480	58.5	72.5	30	112 02 74		
	4	640				112 02 76		
	5	800				112 02 78		
	6	960				112 02 80		
0.80	3	798	65	79	38	112 02 82		
	4	1,064				112 02 84		
	5	1,335				112 02 86		
	6	1,595				112 02 88		



Due to the aggressiveness of the lactic acid naturally present in silage, the zinc coating (Galvanised) can deteriorate. To extend the feed trough's service life, a bituminous coating (e.g. Blackson food grade) needs to be periodically applied to the inside of the trough

Bituminous Coating page 19

ECO FEED TROUGHS 0,78 M

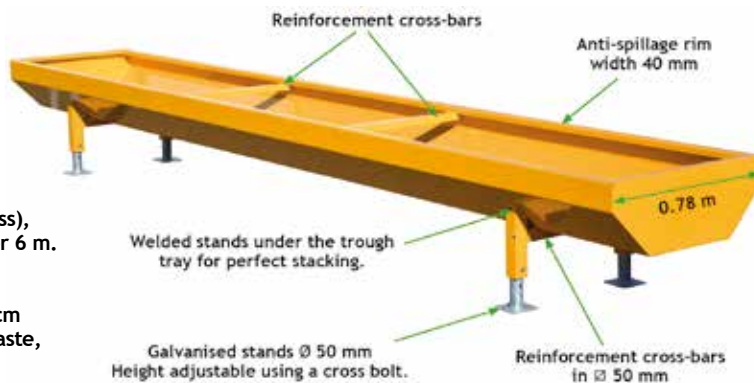
Manufactured from 2 mm sheet steel bent in a single length for greater rigidity,

- Angles are notched allowing the ends to be superimposed with a weld bead for more solidity,
- Anti-rust protection on the entire trough,
- Polyurethane paint applied on pan interior and exterior,
- trough depth 30cm, legs welded under tank.

Feed troughs fitted with:

- 2 reinforcing cross bars inside the feed trough (except 3m/1 cross),
- 4 feet welded under the tray for troughs up to 5 m and 6 feet for 6 m. Feet connected by reinforcing cross bars.
- 40 mm anti-waste rim,
- Ø 50mm galvanised legs and adjustable in height in groups of 7 cm by a through bolt to adjust the height or tilt the trough to limit waste,
- 1 PVC threaded drain through wall plug (Ø 45 mm)

Eco feed trough 0,78 are designed for dairy and beef cattle, to feed them with forrage of silage.



NEW: our feed troughs are now manufactured with a polyurethane paint, for even better longevity!

ECO PAINTED FEED TROUGH



New : Polyurethane outer paint.

Polyurethane paint coating applied on pan interior and exterior.

■Material : Steel

Width m	Length m	Vol. l	Min. height cm	Max. height cm	Depth cm	Code Unit	€ Ex. VAT	Packing Dealer
0.78	3	580	57.8	64.8	30	112 04 21		
	4	770	57.8	64.8	30	112 04 23		
	5	960	57.8	64.8	30	112 04 25		
	6	1150	57.8	64.8	30	112 04 27		

ECO PAINTED FEED TROUGH WITH BITUMINOUS COATED BOTTOM



New : Polyurethane outer paint.

Polyurethane paint coating applied on pan exterior. Bituminous coating applied on pan interior.

■Material : Steel

Width m	Length m	Vol. l	Min. height cm	Max. height cm	Depth cm	Code Unit	€ Ex. VAT	Packing Dealer
0.78	3	580	57.8	64.8	30	112 04 31		
	4	770	57.8	64.8	30	112 04 33		
	5	960	57.8	64.8	30	112 04 35		
	6	1150	57.8	64.8	30	112 04 37		

ECO GALVANISED FEED TROUGH



Hot-dip galvanised.

Hot-dip galvanizing after manufacture for protection.

Due to the aggressiveness of the lactic acid naturally present in silage, the zinc coating (Galvanised) can deteriorate. To extend the feed trough's service life, a bituminous coating (e.g. Blackson food grade) needs to be periodically applied to the inside of the trough

■Material : Galvanised steel

Width m	Length m	Vol. l	Min. height cm	Max. height cm	Depth cm	Code Unit	€ Ex. VAT	Packing Dealer
0.78	3	580	57.8	64.8	30	112 04 41		
	4	770	57.8	64.8	30	112 04 43		
	5	960	57.8	64.8	30	112 04 45		
	6	1150	57.8	64.8	30	112 04 47		

FEED TROUGH FOR SMALL ANIMALS

Galvanised troughs for small animals are very robust due to their welded and hot galvanised construction. They are multi-purpose and can be used for all types of animals.

They have 60 mm square welded feet. Total height: 220 mm.

- Total height : 0.22 m
- Depth : 0.16 m
- Width : 0.33 m
- Material : Galvanised steel

Length m	Code Unit	€ Ex. VAT	Packing Dealer
2.45	112 01 80		
3	112 01 81		
4	112 01 82		
5	112 01 83		



SM & LM HYGIENE PRO CALF PENS WITH MOVABLE PE PARTITIONS

NEW


One-piece rotomoulded High Density Polyethylene partitions hermetically sealed against dirt.

Calf pens designed to optimise hygiene, by improving cleaning and disinfection. All the components of these pens are designed to fit together to form a robust, modular unit. Their modular design means that individual pens can be created in rows and converted into group calf pens at any time.

They feature one-piece rotomoulded High Density Polyethylene partitions which are hermetically sealed against dirt and can be dismantled in the blink of an eye to improve cleaning and disinfection operations.

They consist of:

- 2 galvanized posts on a plate at the front to be fixed to the ground, into which the PE side partitions slide and onto which the SM or LM front facades with two head passages are fixed,
 - An SM or LM 2/3-1/3 front panel fitted with an easy-to-use "MVE" locking system with a vertical mechanism. Front with 2 retractable bucket holders 28 cm in Ø, adjustable hinges and sheet metal base. As an option, it can be fitted with headlock bars,
 - One-piece hermetically sealed HDPE side partitions with smooth walls for optimum cleaning. They are sliding, very robust, rot-proof, resistant to disinfectants, frostproof and UV-stabilised. These partitions are designed to prevent contact between calves below 900 mm from the ground, in accordance with European regulations and advice from the Chamber of Agriculture.
- They can optionally accommodate posts or U-shaped wall mounting brackets at the rear. When used with rear posts, they can be fitted with a galvanized SM gate for HYGIENE PRO SM calf pens, or a galvanized LM rear gate or a LM HDPE rear partition for HYGIENE PRO LM calf pens. A non-slip slatted floor can be added at any time to complete the set for LM calf pens.

Two separate models:

- HYGIENE PRO-SM calf pen,
- HYGIENE PRO-SM calf pen extension,
- HYGIENE PRO-LM calf pen,
- HYGIENE PRO-LM calf pen extension.



EXAMPLE OF INSTALLATION



Example of a configuration : 1 Small Model HYGIENE PRO calf pen, 3 rear posts, 1 rear gate Small Model, and 2 x 12-litre buckets and 1 teat bucket holder.



The movable partitions can be easily removed or refitted to create double pens to group calves in Duo.



Extension Small Model presented with options 1 rear post and 1 pair of pins for closing head passage.

Extension Large Model presented with options 1 rear post, 1 pair of pins for closing head passage and 1 teat bucket holder.

Accessories [page 33](#)

- . Teat Bucket holder,
- . Teat Bucket , bucket,
- . Livestock monitoring panel,
- . Numbered stickers,
- . Pair of stainless steel shutters for PE partitions in case of sick animals,
- . Pair of pins for closing head passage.



Options [page 26](#)

INDIVIDUAL CALF PENS WITH MOVABLE PE PARTITIONS

HYGIENE PRO SM CALF PEN WITH MOVABLE PE PARTITIONS



HYGIENE PRO SM calf pen with a surface area of 1.46 m².

It consists of:

- 2 one-piece rotomoulded HDPE partitions,
- 2 galvanised metal posts on base plates, open in the centre to slide in the removable partitions and make them easier to slide,
- 1 front panel with 2 bucket holders fitted with "MVE" vertical locking system.

Options :

- Post to fix galvanised rear gate,
- U-shaped for wall mouting of the PE partitions,
- Galvanised rear gate Small Model.

Compatible with HYGIENE PRO SM and LM calf pen extensions with movable partitions.

- Range: HYGIENE PRO calf pen
- Model: SM
- Overall length: 1725 mm
- Overall width: 1180 mm
- Post height: 1325 mm
- Partition height: 1180 mm

Surface area m ²	Inside width mm	Inside length mm	Inside height mm	Code Unit	€ Ex. VAT	Packing Dealer
1.46	910	1600	1100	112 32 01		

EXTENSION FOR HYGIENE PRO SM CALF PEN WITH MOVABLE PE PARTITIONS



A HYGIENE PRO SM calf pen extension consists of:

- 1 one-piece rotomoulded HDPE partition,
- 1 galvanised metal post on plate, open in the centre to slide in the removable partitions and make them easier to slide,
- 1 single front panel with 2 bucket holders fitted with the "MVE" vertical locking system.

Options :

- Post to fix galvanised rear gate,
- U-shaped for wall mouting of the PE partitions,
- Wall bracket for right or left fixing of the front or rear gates,
- Galvanised rear gate.

Compatible with HYGIENE PRO SM and LM calf pens with movable partitions.

- Range: Extension for HYGIENE PRO calf pen
- Model: SM
- Overall length: 1725 mm
- Overall width: 997.50 mm
- Post height: 1325 mm
- Partition height: 1180 mm

Surface area m ²	Inside width mm	Inside length mm	Inside height mm	Code Unit	€ Ex. VAT	Packing Dealer
1,46	910	1600	1100	112 32 03		

HYGIENE PRO LM CALF PEN WITH MOVABLE PE PARTITIONS



Model presented with teat bucket holder option

HYGIENE PRO LM calf pen with a surface area of 1.92m².

It consists of:

- 2 one-piece rotomoulded HDPE partitions,
- 2 galvanised metal posts on plate, open in the centre to slide in the removable partitions and make them easier to slide,
- 1 2/3-1/3 front panel fitted with "MVE" vertical locking system.

Options:

- Post to fix galvanised rear gate,
- U-shaped for wall mouting of the PE partitions,
- Galvanised rear gate Large Model,
- Slatted floor.

Compatible with HYGIENE PRO SM and LM calf pen extensions with movable partitions.

- Range: HYGIENE PRO calf pen
- Model: LM
- Overall length: 1725 mm
- Overall width: 1470 mm
- Post height: 1325 mm
- Partition height: 1180 mm

Surface area m ²	Inside width mm	Inside length mm	Inside height mm	Code Unit	€ Ex. VAT	Packing Dealer
1,92	1200	1600	1100	112 32 11		

EXTENSION FOR HYGIENE PRO LM CALF PEN WITH MOVABLE PE PARTITIONS



Model presented with teat bucket holder option

A HYGIENE PRO LM calf pen extension consists of:

- 1 one-piece rotomoulded HDPE partition,
- 1 galvanised metal post on plate, open in the centre to slide in the removable partitions and make them easier to slide,
- 1 2/3-1/3 front panel with 2 bucket holders fitted with the "MVE" vertical locking system.

Options:

- Post to fix galvanised or PE rear gates,
- U-shaped for wall mouting of the PE partitions,
- Galvanised rear gate,
- PE rear partition,
- Slatted floor.

Compatible with HYGIENE PRO SM and LM calf pens with movable partitions.

- Range: Extension for HYGIENE PRO calf pen
- Model: LM
- Overall length: 1725 mm
- Overall width: 1287.50 mm
- Post height: 1325 mm
- Partition height: 1180 mm

Surface area m ²	Inside width mm	Inside length mm	Inside height mm	Code Unit	€ Ex. VAT	Packing Dealer
1.92	1200	1600	1100	112 32 13		

Options page 26

Accessories page 33

LM STANDARD CALF PENS WITH PVC MOVABLE PARTITIONS 2.40 M

NEW



Partition with a wide passage 2.34 m for an easy and quick cleaning

Calf pens designed to optimise hygiene, by improving cleaning and disinfection. All the components of these pens are designed to fit together to form a robust, modular unit. Their modular design means that individual pens can be created in rows and converted into group calf pens at any time.

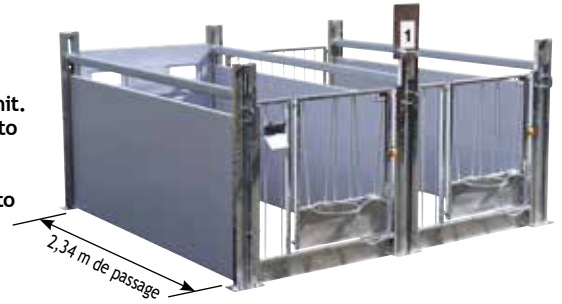
Fitted with PVC partitions open on the top. They can be dismantled in the blink of an eye to improve cleaning and disinfection operations. Designed to raise calves until 2 months old indoor.

They consist of:

- 2 galvanized posts on a plate at the front to be fixed to the ground, into which the PVC side partitions slide and onto which the LM front facade with two head passages is fixed,
- An LM 2/3-1/3 front panel fitted with an easy-to-use "MVE" locking system with a vertical mechanism. Front with 2 retractable bucket holders 28 cm in Ø, adjustable hinges and sheet metal base. As an option, it can be fitted with the adlock bars,
- PVC side partitions with smooth walls for optimum cleaning.

They are sliding, very robust, rot-proof, resistant to disinfectants, frostproof and UV-stabilised. These partitions are designed to prevent contact between calves below 1000 mm from the ground.

As an option, they can be fitted with a choice of a rear panel, either a galvanised or HDPE panel. They can optionally accommodate posts or U-shaped wall mounting brackets at the rear. When used with rear posts, they can be fitted with a galvanized rear gate or a LM rear HDPE partition.



Options [page 26](#)

Accessories [page 33](#)

- . Teat Bucket holder,
- . Teat Bucket, bucket,
- . Livestock monitoring panel,
- . Numbered stickers,
- . Pair of stainless steel shutters for PE partitions in case of sick animals,
- . Pair of pins for closing head passage.



Perfect for an easy and quick mechanical cleaning

LM STANDARD CALF PENS WITH PVC MOVABLE PARTITIONS 2.40 M

EXTENSION FOR LM STANDARD CALF PENS WITH PVC MOVABLE PARTITIONS 2.40 M



Calf pen with a surface area of 2.88 m².

It consists of:

- 2 PVC partitions open on the top part,
- 2 galvanized metal posts on base plates, open in the centre to slide in the removable partitions and make them easier to slide,
- 1 2/3-1/3 front panel with 2 bucket holders fitted with the "MVE" vertical locking system.

Options :

- Post to fix galvanized rear gate,
- U-shaped for wall mounting of the PVC partitions,
- Wall bracket for right or left fixing of the front or rear gates,
- Galvanized rear gate,
- PE rear partition.

Compatible with movable standard PVC calf pen extensions.

- Range: STANDARD calf pen
- Model: LM
- Overall length: 2500 mm
- Overall width: 1470 mm
- Post height: 1325 mm
- Partition height: 1180 mm

Surface area m ²	Inside width mm	Inside length mm	Inside height mm	Code Unit	€ Ex. VAT	Packing Dealer
2.88	1200	2400	1160	112 32 23		

A STANDARD LM calf pen extension consists of:

- 1 PVC partition open on the top part,
- 1 galvanized metal post on plate, open in the centre to slide in the removable partitions and make them easier to slide,
- 1 2/3-1/3 front panel with 2 bucket holders fitted with the "MVE" vertical locking system.

Options :

- Post to fix galvanized rear gate or PE partitions,
- U-shaped for wall mounting of the PVC partitions,
- Wall bracket for right or left fixing of the front or rear gates,
- Galvanized rear gate,
- PE rear partition.

Compatible with movable standard PVC calf pen partitions.

- Range: Extension for STANDARD calf pen
- Model: LM
- Overall length: 2500 mm
- Overall width: 1332 mm
- Post height: 1325 mm
- Partition height: 1180 mm

Surface area m ²	Inside width mm	Inside length mm	Inside height mm	Code Unit	€ Ex. VAT	Packing Dealer
2.88	1200	2400	1160	112 32 25		

OPTIONS FOR INDIVIDUAL CALF PENS WITH REMOVABLE PARTITIONS

REAR POST ON PLATE WITH PARTITION STOP FOR SM AND LM CALF PENS

Post for fixing the SM or LM barred rear gate or the PE rear panel.

■Material: galvanised steel

Height mm	Plate mm	Code Unit	€ Ex. VAT	Packing Dealer
1330	220 x 1220	112 32 40		

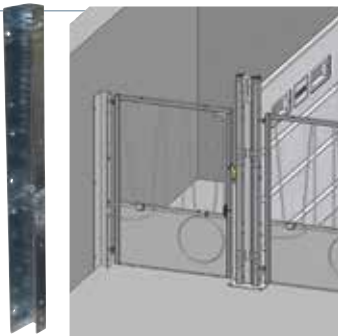


FIXING FOR RIGHT OR LEFT WALL OUTLET FOR FACADE AND BARRED REAR GATE

Galvanized profile for a right or left wall outlet. In this case, start the installation with a box extension.

■Fastening: wall

■Material: galvanised steel



Height mm	Width mm	Code Unit	€ Ex. VAT	Packing Dealer
1102	59	112 32 42		

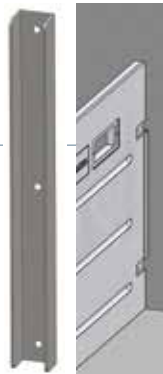
U-SHAPED PROFILE FOR REAR WALL MOUNTING OF HYGIENE PRO SM, LM AND STANDARD LM PARTITIONS

Not compatible with HDPE rear gates or rear panel for HYGIENE PRO LM and STANDARD LM calf pens .

■Fastening: wall

■Material: galvanised steel

Height mm	Width mm	Code Unit	€ Ex. VAT	Packing Dealer
600	52	112 32 41		



BARRED REAR GATES FOR HYGIENE PRO SM AND LM CALF PENS



Rear gates fitted with an easy-to-use "MVE" vertical locking system. Equipped with adjustable hinges and a sheet metal base.

■Material: Galvanised steel

Model	Width mm	Height mm	Code Unit	€ Ex. VAT	Packing Dealer
SM	910	1070	112 32 05		
LM	1200	1070	112 32 15		

HDPE SIDE PARTITION FOR HYGIENE PRO SM AND LM CALF PEN



Retail side partition for removable calf pens Hygiene PRO SM and LM. Very robust, made of rotomolded, one-piece High Density Polyethylene resin, impervious to dirt, for optimized hygiene and animal welfare. Partition equipped with two openings for easy handling and allowing the calf to remain in contact, above 900 mm from the ground, in accordance with European regulations and recommendations from the Chamber of Agriculture.

■Material: Polyethylene

Length mm	Thickness mm	Height mm	Code Unit	€ Ex. VAT	Packing Dealer
1660	50	1180	112 32 34		

HDPE REAR PANEL FOR HYGIENE PRO LM AND STANDARD LM CALF PENS



Very robust one-piece rotomoulded high-density polyethylene resin rear calf pen panel hermetically sealed against dirt for optimum hygiene and animal welfare. Rear panel fitted with:

- 4 galvanised metal fastening plates for attaching to the rear posts of HYGIENE PRO LM calf pens,
- 2 openings to facilitate handling and, in the case of stalls mounted back to back, to allow calves to remain in contact above 900 mm from the floor, in accordance with European regulations and advice from the Chamber of Agriculture. Requires rear post options for PRO and Standard LM calf pens.

■Material: Polyethylene

Length mm	Thickness mm	Height mm	Code Unit	€ Ex. VAT	Packing Dealer
1200	50	1180	112 32 19		

SLATTED FLOOR FOR PRO SM AND LM CALF PENS



Slatted floor installed on adjustable feet. Non-slip slatted floor which is highly effective for contact with animals' hooves and can be used with or without straw bedding. Clearance of 45 mm under the slatted floor for easy cleaning of the pens. Includes:

- 1 height-adjustable foot support,
- 1 synthetic mesh floor mat. Slatted flooring installed on omega-shaped sections with adjustable feet. This non-slip slatted flooring is highly effective against animal hooves and can be used with or without straw. The 45 mm clearance under the slatted flooring allows for easy cleaning of the pens. Not compatible with the U-shaped profile for rear wall mounting of the partitions or with the right or left wall mounting for the installations.

■Material: Synthetic

Model	Length mm	Width mm	Thickness mm	Code Unit	€ Ex. VAT	Packing Dealer
LM				112 32 17		
Extension LM	1570	1184	70	112 32 18		



EUROPEAN DIRECTIVE ON THE CONDITIONS FOR CONFINEMENT OF CALVES IN CALF PENS

Extract from the Official Journal of the European Union of 15 January 2009.

Article 3

1) From the 1st January 1998, the following arrangements are applicable to all new or reconstructed farms, or those placed in service after this date.

- a) No calf shall be closed in an individual hutch after the age of 8 weeks unless a veterinary surgeon certifies that its state of health or behaviour requires that it be isolated for treatment. The width of any individual hutch shall be at least equal to the size of the calf at the withers, measured in the standing position, and with the length at least equal to the length of the calf measured from the tip of the nose to the caudal side of the ischial tuberosities, multiplied by 1.1. Each individual hutch for calves (with the exception of those intended for isolation of sick animals) must not be fitted with blank walls but have an aperture permitting visual and tactile contact between calves.
- b) For calves brought up in groups, the free space for each calf shall be at least equal to 1.50 m² for each calf of a live weight less than 150 kg, and at least 1.70 m² for each calf with a live weight greater than 150 kg but less than 220 kg and at least 1.80 m² for each calf with a live weight equal to or greater than 220 kg.





View our catalog







Discover
the wide range of La Gée calf hutches,
specially designed for outdoor breeding.
Quality and comfort guaranteed with La Gée!

www.lagee-livestock-equipment.com



HYGIENE PRO HDPE CALF BOXES WITH FIXED PE PARTITIONS

NEW

**Quick to install and dismantle.
Easy to store out of season.**

HYGIENE PRO HDPE calf boxes designed to optimise hygiene by improving cleaning and disinfection. All the components of these calf boxes are designed to fit together to form robust, modular units. They are extremely easy to install. Their modularity means individual boxes can be created in rows or back-to-back. They have very robust side and rear partitions made of one-piece rotomoulded, high-density polyethylene resin which are hermetically sealed against dirt for optimum hygiene and animal welfare. They can be dismantled in the blink of an eye thanks to their assembly using pins to improve cleaning and disinfection operations. They are easy to store out of season.

They are designed to raise calves indoor until 2 months old.

They consist of:

- A 2/3-1/3 gate front fitted with an easy-to-use "MVE" vertical locking system. Front with 2 retractable bucket holders 28 cm in Ø, adjustable hinges and sheet metal base. It can be fitted with headlock bars,
- HDPE side partitions delivered with pins, designed to prevent contact between calves below 900 mm from the ground, in accordance with European regulations and advice from the Chamber of Agriculture.

As an option, they can be fitted with a choice of a rear panel, either a galvanised gate for HYGIENE PRO SM calf pens or a galvanised gate or HDPE panel for HYGIENE PRO LM calf pens.

These calf boxes are designed for rearing calves up to 2 months old indoors and can be used as double calf boxes by removing every other intermediate partition and adding the "connection kit for 2 HDPE boxes without intermediate partition" option.

Model available :

- HYGIENE PRO - HD PE calf stall,
- HYGIENE PRO - HDPE calf stall extension.

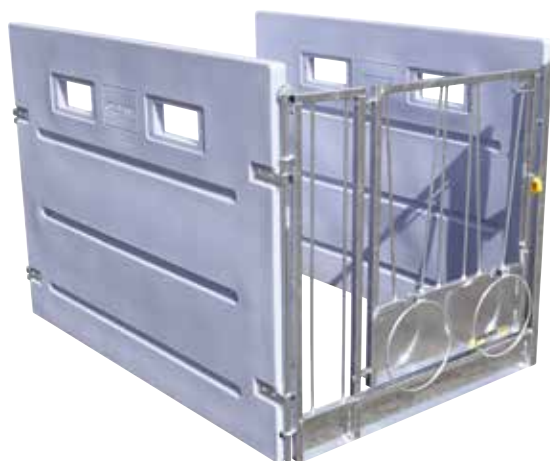


Layout with 1 box + 1 extension HDPE Hygiene Pro fitted with these options :
2 pair of headlock closing pins, 1 bucket teat holder and 2 HDPE rear gates.



Layout with 1 box + 1 extension HDPE Hygiene Pro fitted with these options :
- 1 bucket teat holder,
- 2 HDPE rear gates,
- 1 teat bucket,
- 4 x 12 L buckets.

HYGIENE PRO HDPE CALF BOX WITH FIXED PE PARTITIONS



HYGIENE PRO HDPE calf box with a surface area of 1.82 m².

It consists of:

- 2 one-piece rotomoulded HDPE partitions,
- 1 2/3-1/3 front panel with 2 bucket holders fitted with the "MVE" vertical locking system.

Options:

- HDPE rear panel,
- Connection kit for 2 HYGIENE PRO HDPE boxes without intermediate partition,
- Pair of rear wall brackets for use without PE rear panel.

Compatible with the HYGIENE PRO calf box extension.

- Range: HYGIENE PRO calf box
- Overall width: 1193 mm
- Overall length: 1744 mm
- Overall height: 1180 mm

Surface area m ²	Inside width mm	Inside length mm	Inside height mm	Code Unit	€ Ex. VAT	Packing Dealer
1.82	1093	1667	1096	112 32 71		

EXTENSION HYGIENE PRO HDPE CALF BOX WITH FIXED PE PARTITIONS



A HYGIENE PRO calf box extension consists of:

- 1 one-piece rotomoulded HDPE partition,
- 1 2/3-1/3 front panel with 2 bucket holders fitted with the "MVE" vertical locking system.

Options:

- HDPE rear panel,
- Connection kit for 2 HYGIENE PRO HDPE boxes without intermediate partition,
- Pair of rear wall brackets for use without PE rear panel.

Compatible with the HYGIENE PRO calf box.

- Range: Extension for HYGIENE PRO calf box
- Overall width: 1193 mm
- Overall length: 1744 mm
- Overall height: 1180 mm

Surface area m ²	Inside width mm	Inside length mm	Inside height mm	Code Unit	€ Ex. VAT	Packing Dealer
1,82	1093	1667	1096	112 32 73		

OPTIONS FOR INDIVIDUAL CALF PENS WITH FIXED PARTITIONS

HDPE REAR PANEL FOR HYGIENE PRO CALF BOX



Very robust one-piece rotomoulded high-density polyethylene resin calf stall rear panel hermetically sealed against dirt for optimum hygiene and animal welfare. Rear panel fitted with:

- 4 galvanised metal brackets to which to attach the Ø17.2 mm 1130 mm long pins of the side panels,
- 2 openings to facilitate handling and, in the case of stalls mounted back to back, to allow calves to remain in contact above 900 mm from the floor, in accordance with European regulations and advice from the Chamber of Agriculture.

■ Material: Polyethylene

Length mm	Thickness mm	Height mm	Code Unit	€ Ex. VAT	Packing Dealer
1200	50	1180	112 32 75		

PAIR OF BRACKETS FOR WALL FASTENING FOR HYGIENE PRO CALF PEN WITHOUT REAR GATE

Pair of brackets for wall fastening designed to be attached to the pins Ø 17,2 mm, length 1130 mm of the HYGIENE PRO PEHD calf pen partitions.

Code Pair	€ Ex. VAT	Packing Dealer
112 32 79		

- Fastening: wall
- Material: galvanised steel



CONNECTION KIT FOR 2 HYGIENE PRO HDPE BOXES



- Material: galvanised steel

When 2 HYGIENE PRO HDPE stalls are converted into 1 double stall, a connection kit must be installed to link the front and rear HDPE panels together.

Code Pair	€ Ex. VAT	Packing Dealer
112 32 79		

MOBILE CALF BOXES

NEW

Premium quality, with internal dimensions width 1105 mm x length 1678 mm x height 1352mm, these mobile calf boxes are extremely well equipped as standard. They are designed for rearing calves up to 2 months old, both indoors and outdoors, thanks to their optional cover with adjustable rack-and-pinion opening system.

They are easy to move, with fixed wheels at the rear and retractable handles at the front, and can be fitted with swivel wheels at the front. They are also available in a DUO model for optimum handling. They can also be moved by lifting equipment.

They consist of:

- a hot-dip galvanised metal frame and posts,
- a 2/3-1/3 front panel with two head spaces fitted with an easy-to-use "MVE" vertical locking system. Front with 2 retractable bucket holders 28 cm in Ø, adjustable hinges and sheet metal base. Front can be fitted with headlock bars,

- 2 side partitions and a rear panel made of one-piece hermetically sealed HDPE resin with smooth walls for optimum cleaning. They are rot-proof, resistant to disinfectants, frostproof and UV-stabilised. One-piece rotomoulded High Density Polyethylene partitions hermetically sealed against dirt.

Partitions to prevent contact between calves be low 900 mm from the ground, in accordance with European regulations and advice from the Chamber of Agriculture.

- a fixed non-slip slatted floor made of synthetic material pre-equipped to be fitted to tilt the floor thanks to the optional automatic tilting mechanism,

- 2 fixed wheels Ø 160 mm at the rear and 2 handles at the front for transport.

Two separate models:

- **HYGIENE PRO HDPE, PREMIUM product.**
 - HYGIENE PRO - HDPE XL mobile calf box, equipped with one-piece rotomoulded partitions hermetically sealed against dirt for easy cleaning and disinfection for successful livestock management.
- **STANDARD PVC calf box, good value for money**
 - XL STANDARD - PVC mobile calf box,
 - DUO STANDARD - PVC mobile calf box fitted with partitions made of PVC slats 1 m high.



PVC STANDARD calf box fitted with tilting mechanism for slatted floor.



HYGIENE PRO Model with options



HYGIENE PRO Model with options



HYGIENE PRO - HDPE MOBILE CALF BOX - MODEL SINGLE



For greater hygiene, on e-piece rotomoulded High Density Polyethylene part it ions hermetically sealed against dirt.

- Range: XL HYGIENE PRO mobile calf box
- Model: Single
- Overall length: 1840 mm
- Overall width: 1105 mm
- Overall height: 1505 mm

HYGIENE PRO XL mobile calf box with a surface area of 1.73 m². The single model consists of:

- 1 hot-dip galvanised metal frame and posts,
- 2 partitions and 1 back panel made of one-piece rotomoulded HDPE,
- 1 2/3-1/3 front panel fitted with the "MVE" vertical locking system,
- 1 fixed non-slip injected slatted floor,
- 2 fixed 160 mm Ø rear wheels with roller bearings and front transport handles.

Options:

- Front swivel wheels,
- Rack-and-pinion adjustable opening roof,
- Tilting mechanism for slatted floor,
- Pair of closing pins for headlock,
- Teat bucket holder, teat bucket, bucket,
- 2-wheel swivel trolley for effortless movement,
- Pair of stainless-steel side-wall shutters for use in the event of a sick calf.

Surface area m ²	Inside width mm	Inside length mm	Inside height mm	Code Unit	€ Ex. VAT	Packing Dealer
1.73	1005	1718	1108	112 32 51		

STANDARD - PVC MOBILE CALF BOX - MODEL SINGLE

Accessoires [page 33](#)



Good value for money.

STD-PVC mobile calf stall with a surface area of 1.73 m². The single model consists of:

- 1 hot-dip galvanised metal frame and posts,
- 2 partitions and 1 rear panel made of PVC slats,
- 1 2/3-1/3 front panel fitted with the "MVE" vertical locking system,
- 1 fixed non-slip synthetic slatted floor,
- 2 fixed 160 mm Ø rear wheels with roller bearings and front transport handles.

Options:

- Front swivel wheels,
- Rack-and-pinion adjustable opening roof,
- Tilting mechanism for slatted floor,
- Pair of front headlock bars,
- Teat bucket holder, teat bucket, bucket,
- 2-wheel swivel trolley for effortless movement.

Surface area m ²	Inside width mm	Inside length mm	Inside height mm	Code Unit	€ Ex. VAT	Packing Dealer
1.73	1005	1678	1108	112 32 57		

- Range: XL STD - PVC mobile calf box
- Model: Single
- Overall length: 1810 mm
- Overall width: 1095 mm
- Overall height: 1505 mm

STANDARD - PVC MOBILE CALF BOX - MODEL DUO

Accessoires [page 33](#)



Model presented with option : swivel wheels on the front



Tilting mechanism also available for DUO calf box



Save time.

STD-PVC mobile calf stall with a surface area of 2x1,73 m². The DUO model consists of:

- 1 hot-dip galvanised metal frame and posts,
- 2 partitions and 1 rear panel made of PVC slats,
- 2 2/3-1/3 front panel fitted with the "MVE" vertical locking system,
- 2 fixed non-slip synthetic slatted floor,
- 4 fixed 160 mm Ø rear wheels with roller bearings and front transport handles.

Options:

- Front swivel wheels,
- Rack-and-pinion adjustable opening roof,
- Tilting mechanism for slatted floor,
- Pair of front headlock bars,
- Teat bucket holder, teat bucket, bucket,
- 2-wheel swivel trolley for effortless movement.

- Range: XL STD - PVC mobile calf box
- Model: DUO
- Overall length: 1810 mm
- Overall width: 2140 mm
- Overall height: 1505 mm

Surface area m ²	Inside width mm	Inside length mm	Code Unit	€ Ex. VAT	Packing Dealer
2x1.73	2x1005	1678	112 32 59		



Model presented with tilting mechanism

Accessories [page 32](#)



TILTING MECHANISM FOR SLATTED FLOOR OF XL HYGIENE PRO & STANDARD MOBILE CALF BOXES



Technical details :
Tilting mechanism delivered with fasteners. Designed to be installed at the rear of mobile calf stalls pre-equipped for it. Each box is fitted with a slatted floor mounted on a bar ready to receive tilting mechanism.

■ Material: galvanised metal

	Model	Code Unit	€ Ex. VAT	Packing Dealer
1	DUO	112 32 62		
2	SINGLE	112 32 61		

FRONT SWIVEL WHEEL FOR XL MOBILE CALF BOX

These 160 mm-Ø braked swivel wheel has roller-bearing rims. To be attached to a galvanised metal bracket pre-fitted under the frame at the front of the mobile calf box. To keep the calf box on level, the rear wheels can be lowered one level (holes provided in the rear wheel brackets of the box).



It is necessary to order :

- 2 wheels for the SINGLE mobile calf box,
- 3 wheels for the DUO mobile calf box.

■ Ø : 160 mm

Code Unit	€ Ex. VAT	Packing Dealer
112 32 64		

SLIDING CAP FOR PRO AND STANDARD CALF BOX ROOF

Consists of a galvanized plate with side edges fitted with slides. It can be optionally attached to the mobile calf box roof at any time.

Two positions:

- A Extended, bringing the Overall roof overhang to approximately 450 mm,
- B Folded back onto the roof in a neutral position.

Screw locking system in the extended position.

Code Unit	€ Ex. VAT	Packing Dealer
112 32 68		

SWIVEL TROLLEY TO MOVE XL HYGIENE PRO & STANDARD MOBILE CALF BOXES



Galvanised metal trolley with a handle at the top and a pivot mounted on two wheels at the bottom. The pivot is positioned centrally at the front of the boxes in a bracket provided for this purpose. Thanks to the lever effect, it is easy to move the mobile boxes effortlessly. Compatible with the mobile calf box only.

■ Material: Galvanised steel

Code Unit	€ Ex. VAT	Packing Dealer
112 32 65		

ROOF FOR XL HYGIENE PRO & STANDARD MOBILE CALF BOXES

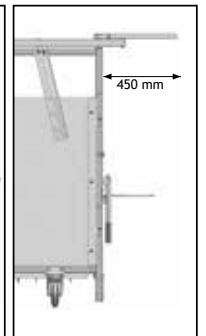
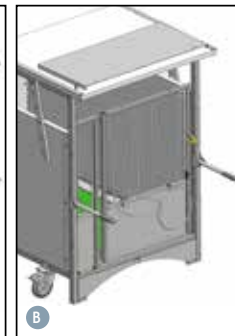
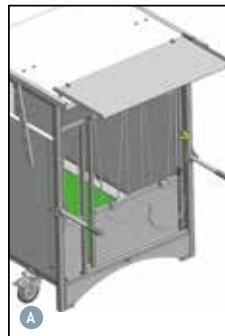


The roof consists of :

- A PVC panel 35 mm thickness,
 - Adjustable in height to regulate the ventilation.
- Length. 2 m width. 1,16 m with a front and rear overhang of 120 mm. Compatible with the SINGLE model only (not designed for DUO calf box).

■ Material: PVC

Code Unit	€ Ex. VAT	Packing Dealer
112 32 63		



PAIR OF STAINLESS STEEL SHUTTERS FOR HDPE PARTITIONS

Pair of shutters to be attached directly to the 2 openings in each HDPE partition and rear panel of calf pens and boxes HYGIENE PRO & STANDARD, in case of a sick calf. Delivered with fasteners.



■ Material: Stainless steel

Net weight kg	Code Set	€ Ex. VAT	Packing Dealer
5	112 32 33		

SET OF ADHESIVE NUMBERS



Facilitates livestock monitoring.

Set of 10 adhesive numbers for marking calf pens. Specify your choice of numbering. Compatible with Hygiene PRO pens.



Code Set	€ Ex. VAT	Packing Dealer
112 33 23		

LIVESTOCK MONITORING PANEL FOR HYGIENE PRO SM AND LM CALF PENS

Galvanised steel panel to be attached to the posts of calf pens. Delivered with a document clip. Numbered stickers can also be affixed to it to monitor and organise calf pens.



■ Material: Galvanised steel

Length mm	Height mm	Thickness mm	Code Unit	€ Ex. VAT	Packing Dealer
220	350	27	112 32 31		

PAIR OF CLOSING PINS FOR HEADLOCK



Front fitted with the option Pair of closing pins for headlock

These pins are used :
To prevent the animal from reaching the bucket,
To lock the calf in feeding position.

Code Pair	€ Ex. VAT	Packing Dealer	■ Material: galvanised steel
112 32 37			■ Ø: 10 mm with ring



FEEDING TEAT BUCKET

Feeding teat bucket graduated in liters. Fits directly on the stable fronts in the holder. Delivered with teat but without holder to be ordered separately.



- Capacity: 17.5 l
- Colour: white
- Material: injected resin
- Length: 37 cm
- Width: 33 cm
- Height: 27 cm

Code Unit	€ Ex. VAT	Packing Dealer
112 33 15		

TEAT BUCKET HOLDER FOR FRONT

Galvanised steel holder to be fitted to single and 2/3-1/3 front panels of calf pens and stalls. Enables standard off-the-shelf teat buckets to be installed for calf feeding.



Code Unit	€ Ex. VAT	Packing Dealer
112 32 32		

12 LITERS ROUND BUCKET WITH HANDLE

Designed to fit the 2 bucket holders on the front of HYGIENE PRO & STANDARD calf pens and boxes.



- Capacity: 12 l
- Colour: white
- Material: injected resin
- Ø: 30 cm
- Handle Ø: 5 mm
- Height: 25 cm
- Ø under the rim: 27 mm

Code Unit	€ Ex. VAT	Packing Dealer
112 32 38		



METAL CALF PEN



Excellent value for money.
Very strong.

The metal calf pen is ideal for breeding calves up to 2 months old. The bottom is open in order to allow liquids and cleaning water to drain. Posts are fitted with a mounting plate for ground fastening. A calf pen includes:

- 2 partitions with an upper barred section or galvanised steel sheet closed with integrated posts,
 - 1 reversible left/right stable front with adjustable neck,
 - 1 reversible left/right rear gate
- To ensure the welfare of calves and meet health requirements, we also offer:
- oak slatted floor which improves calf welfare.



METAL CALF PEN PARTITION WITH BOTTOM METAL SHEET AND BARRED UPPER PART

The partitions with bottom metal sheet and barred upper part separate the animals while ensuring easy feeding and checking.



Meets animal welfare standards.

Option : Oak slatted floor (112 34 09)
Compatible with the stable front (112 33 06) and rear gate (112 33 07).

- Material: Galvanised steel
- Overall height: 1.15 m
- Overall length: 1.60 m

Net weight kg	Code Unit	€ Ex. VAT	Packing Dealer
30	112 34 01		

METAL NURSERY PEN PARTITION WITH METAL SHEET

Nursery pen partition with metal sheet are ideal to isolate sick animals and avoid any contact between them to fight against the spread of germs and diseases.



Ideal to create a nursery pen.



Option : Oak slatted floor (112 34 09)
Compatible with the stable front (112 33 06) and rear gate (112 33 07).

- Material: Galvanised steel
- Overall height: 1.20 m
- Overall length: 1.60 m

Net weight kg	Code Unit	€ Ex. VAT	Packing Dealer
31	112 34 03		

FRONT FOR CALF PEN



Adjustable neck opening.
Folding bucket holder.

Galvanised stable front with double yokes for calf pens with polyethylene partitions or metal calf pens:

- opening and closing by spring loaded bolt,
 - reversible left/right,
- Fitted with:
- 1 lower section enclosed in metal sheet to limit bedding wastage,
 - 2 moveable bars with adjustable neck and spring return for optimised securing of calves,
 - 2 round folding bucket holders to optimise pen space,
 - 1 Feeding teat bucket holder in the upper section with anti-head shake lock.

Can be used with 17.5 l buckets or standard round buckets available in stores.

- Material: Galvanised steel



Net weight kg	Code Unit	€ Ex. VAT	Packing Dealer
14	112 33 06		

REAR GATE FOR CALF PEN



Automatic spring locker.
Height adjustable.

Galvanised rear barred gate. Opening and closing via spring loaded bolt. Reversible left/right.



- Material: Galvanised steel

Net weight kg	Code Unit	€ Ex. VAT	Packing Dealer
9	112 33 07		

OAK FLOOR FOR METAL CALF PENS



- Material: Oak
- Length: 1.50 m
- Width: 0.90 m
- Height: 0.11 m
- Net weight: 47 kg

This slatted floor for metal calf pens, made out of oak, improves the comfort of the animals.
Only compatible with metal calf pens.

Material	Length m	Width m	Height m	Net weight kg	Code Unit	€ Ex. VAT	Packing Dealer
oak	1.50	0.90	0.11	47	112 34 09		

WALL FASTENING FOR CALF PENS

Mounting plate that is only used to fasten the calf pen stable front or rear gate to the wall when assembled in a row starting or ending on a wall.
Fastening with Ø 10 mm stud bolt.

Code Pair	€ Ex. VAT	Packing Dealer
112 33 21		



17.5 L GRADUATED FLAT EDGE BUCKET

Flat edge bucket graduated in liters

- Capacity: 17.5 l
- Colour: white
- Material: injected resin
- Length: 37 cm
- Width: 33 cm
- Height: 27 cm



Code Unit	€ Ex. VAT	Packing Dealer
112 33 17		

FEEDING TEAT BUCKET

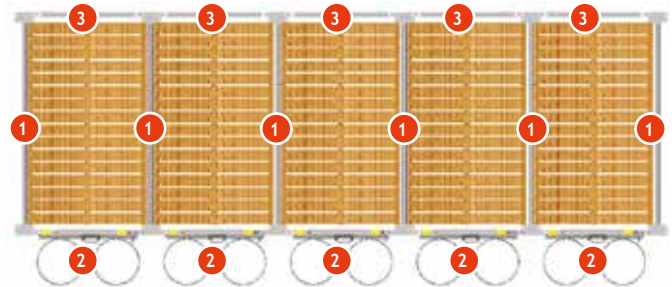
Feeding teat bucket graduated in liters.
Fits directly on the stable fronts in the holder.
Delivered with teat but without holder to be ordered separately.

- Capacity: 17.5 l
- Colour: white
- Material: injected resin
- Length: 37 cm
- Width: 33 cm
- Height: 27 cm



Code Unit	€ Ex. VAT	Packing Dealer
112 33 15		

FIVE METAL BARRED CALF PENS ARRANGED IN A ROW



To install five metal calf pens in a row, the following is required: - 6 Barred and bottom closed partitions - 5 Stable fronts for calf pens - 5 Rear gates for calf pens - Slatted floor as an option.

- Assembly: line
- Installation: islet
- Overall length: 4.76 m
- Overall width: 1.98 m

Description	Quantity to order	Code Unit	€ Ex. VAT
Sheet metal and barred partition	6	112 34 01	
Stable front for calf pen	5	112 33 06	
Rear gate for calf pens	5	112 33 07	

- 1
- 2
- 3

DOUBLE HAY RACK FOR CALF PENS



- Material: galvanised steel
- Length: 0.59 m
- Width: 0.40 m
- Height: 0.41 m

Double hay rack designed to simultaneously distribute hay to two calf pens.
Is placed and slots on the top of the partitions.
Compatible with PE and metal partition pens.

Net weight kg	Code Unit	€ Ex. VAT	Packing Dealer
5	112 37 27		



Photo non contractuelle



▶ GROUP CALF PEN LAYOUT

The collective calf pen is recommended for raising calves up to 6/7 months of age, while replicating the same breeding conditions as adult cattle:

- A straw-bedded area equipped with partitions or barriers to separate the groups. Hanging racks can be added.
- A raised feeding area equipped with either headlocks or feeding barriers.



CALF HEADLOCKS "JUNIOR COMFORT SR"

Reliable and sturdy.

PATENTED

The Junior Comfort SR headlock panel is ideal for calves up to 6 or 7 months old (maximum 220 kg). It has the same advantages as those in the large cattle range. Technical characteristics :

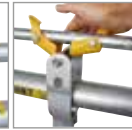
- adjustable neck, anti-choke system, anti-noise,
- collar anti-snagging,
- top and bottom head guard on moveable bar,
- reinforcement ring on each moveable bar axis,
- patented elastic spring system for automatic moveable bar return to open position ,
- panel opening in both directions,
- polymer tabs guaranteed five years, highly resistant, UV and frost stabilised. Safe opening by opening triggering possible.



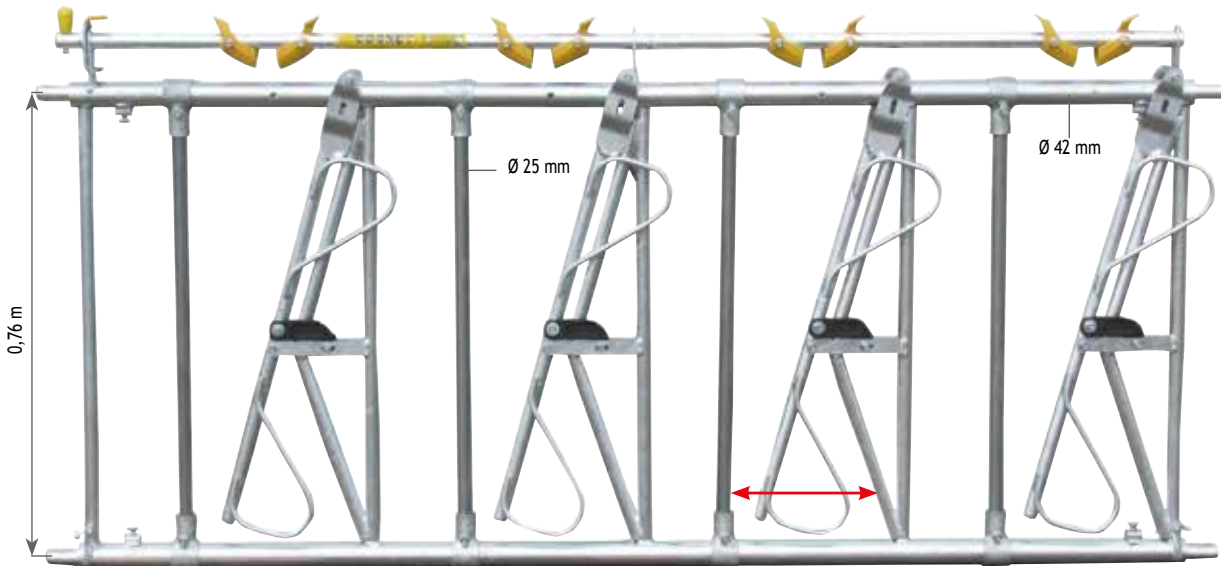
Locking system for the control bars of the embedded double tabs, secured by a guillotine mechanism with plastic-coated handle.



Individual openings can be left closed when the headlock panel is fully opened thanks to the factory-fitted pin on the top side rail and the top section of the moveable bars.



Patented system. Double quick release polymer embedded tabs. Effectively and silently locks moveable bars thanks to a large diameter Teflon spacer.



Anti-chok design.



Fitted with four length-adjustable ends.



Moveable bar with top and bottom head guard which also prevents concentrate feed dispenser collar snagging. Lower section of the moveable bar rounded.



Patented single-branch elastic spring system adjustable on a rack allows each moveable bar to automatically return to open position. Moveable bar axis fitted with a reinforcement ring limiting long-term wear. The single-branch elastic spring is protected from the calves.

JUNIOR COMFORT SR CALF HEADLOCK PANEL WITHOUT BUCKET HOLDER

These "Junior Comfort SR" calf headlock panels are available without bucket holder. For the 4 and 5 m models, two sets of bucket holders or feed troughs are recommended. The 4 and 5 m models are respectively delivered with one and two reinforcements to embed.

Material: Galvanised steel

Length m	Number of openings	Net weight kg	Code Unit	€ Ex. VAT	Packing Dealer
2	4	36	112 37 32		
2.5	5	45	112 37 34		
3	6	54	112 37 36		
4	8	75	112 37 37		
5	10	97	112 37 38		

JUNIOR COMFORT SR CALF HEADLOCK PANEL WITH BUCKET HOLDER



Material : Galvanised steel

This "Junior Comfort SR" calf headlock panel is factory fitted with a metal bucket holder.

Length m	Number of openings	Net weight kg	Code Unit	€ Ex. VAT	Packing Dealer
0.75	1	13	112 37 30		
1	2	19	112 37 31		

- Bucket holder → page 38
- Extra neck bar → page 39
- Mounting accessories → page 42 at 43





REINFORCEMENT TO EMBED WITH Ø 42 MM CLAMP

Fastening onto the lower Ø 42 mm rail of "Junior" yoke panels or calf feed panels. The tube section is to be embedded in the low wall located under the yokes or feed panels.

This ensures stability for all installations of over 3 m.

- Material: Galvanised steel
- Ø: 42 mm
- Length: 520 mm

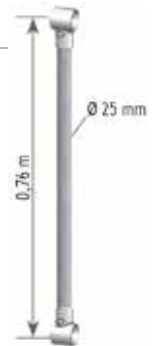


Ø mm	Net weight kg	Code Unit	€ Ex. VAT	Packing Dealer
42	1	115 05 40		

EXTRA NECK BAR FOR JUNIOR HEADLOCK

Neck bar fitted with Ø 42 mm clamps.

Net weight kg	Code Unit	€ Ex. VAT	Packing Dealer
5	112 37 40		



METAL SUSPENDED HAY RACK

These suspended hay racks are designed to be directly mounted on barred partitions, and they allow hay distribution from the first days. Delivered with 3 U-bolts Ø10 to mount on tube Ø42mm.



- Material: Galvanised steel
- Height: 0.85 m
- Depth: 0.56 m

Length m	Net weight kg	Code Unit	€ Ex. VAT	Packing Dealer
1,10	14	112 37 23		
2	25	112 37 25		



MESH BASE FOR SUSPENDED HAY RACK

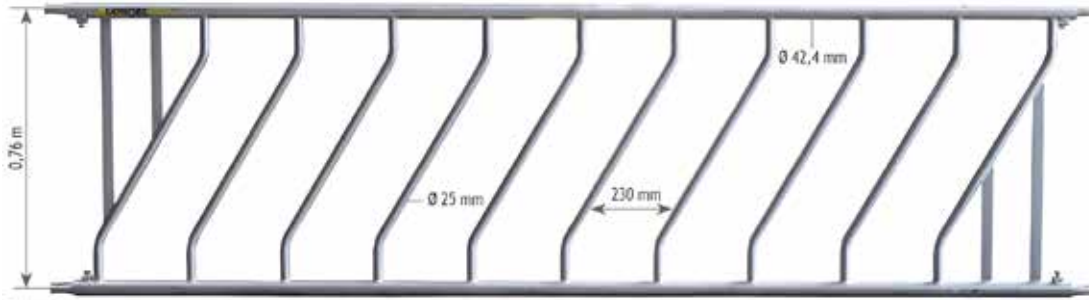
These grille bottoms fit on suspended hay racks mounted on barred partitions.



Length m	Net weight kg	Code Unit	€ Ex. VAT	Packing Dealer
1	4	112 37 22		
2	7	112 37 24		



DIAGONAL JUNIOR Ø 42.4 MM FEED PANEL



Technical characteristics:

- 2 Ø 42.4 mm rails.
 - diagonal Ø 25 mm bars with 230 mm spacing, welded with notches.
 - 4 adjustable ends to adjust structure length.
- For lengths of over 3 m, it is recommended to use the reinforcement to embed option (1150540).

- Ø: 42.4 and 25 mm
- Height: 0.80 m

Options page 31

Length m	Number of spaces	Net weight kg	Code Unit	€ Ex. VAT	Packing Dealer
2	5	17	112 36 01		
2.5	7	21	112 36 03		
3	9	29	112 36 05		
4	12	39	112 36 07		
5	16	48	112 36 09		

Ø 42.4 MM BARRED PARTITION

These partitions have a Overall height of 1.08 m. This height prevents the calves from rolling into other pens when lying down in the first days.



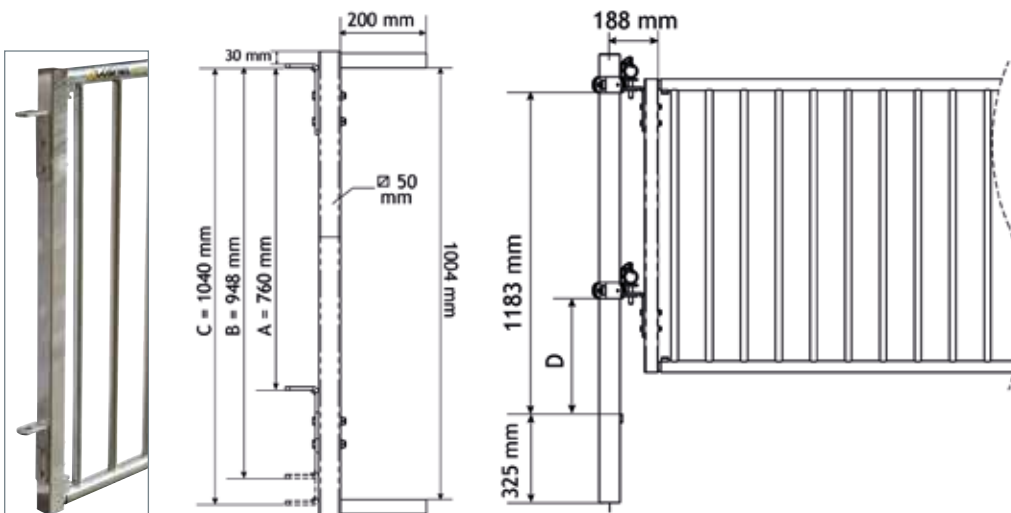
Technical characteristics:

- 2 Ø 42.4 mm rails.
- straight Ø 25 mm bars with 102 mm spacing, welded with notches.
- 4 adjustable ends to adjust structure length.

- Height: 1.08 m
- Ø: 42.4 and 25 mm

Length m	Net weight kg	Code Unit	€ Ex. VAT	Packing Dealer
3	39	112 37 56		
4	53	112 37 58		
5	67	112 37 60		

ADJUSTABLE END PIECE FOR Ø42,4 MM BARRED PARTITION



This end piece connected to the barred partition enables to adjust the length. It makes the opening and closing easier. A barred partition can be fitted with 1 or 2 end pieces.

- Technical features :
- upright tube Ø 50 mm,
 - adjustable length 200 mm,
 - 2 fastening plates.

- Height: 1.08 m
- Tube Ø: 33,7 mm
- Fastening centre distance: 1.04 m
- Square: 50 mm

Length cm	Net weight kg	Code Unit	€ Ex. VAT	Packing Dealer
30	6	112 37 62		

EXTENDABLE 7 -RAILS GATES AND PANELS Ø 42,4/35 MM

Features :

- Hot-dip galvanized after assembly,
- Front and rear post tubes square 50 mm, thickness 2 mm,
- Rear part :
 - 4 horizontal tubes Ø 42,4 mm with stoppers on top & bottom tubes thanks to screws and bolts,
 - 3 horizontal tubes Ø 35 mm,
 - Struts Ø 35 mm U-shape welded,
 - Quick mounting and adjustment thanks to a bottom eyebolt, assembled through a bushing.
- Front part :
 - 4 horizontal tubes Ø 33,7 mm,



Tighter tubes on bottom part designed for small animals : calves, sheep, goats...

- 3 horizontal tubes Ø 26,9 mm.

Available in different versions :

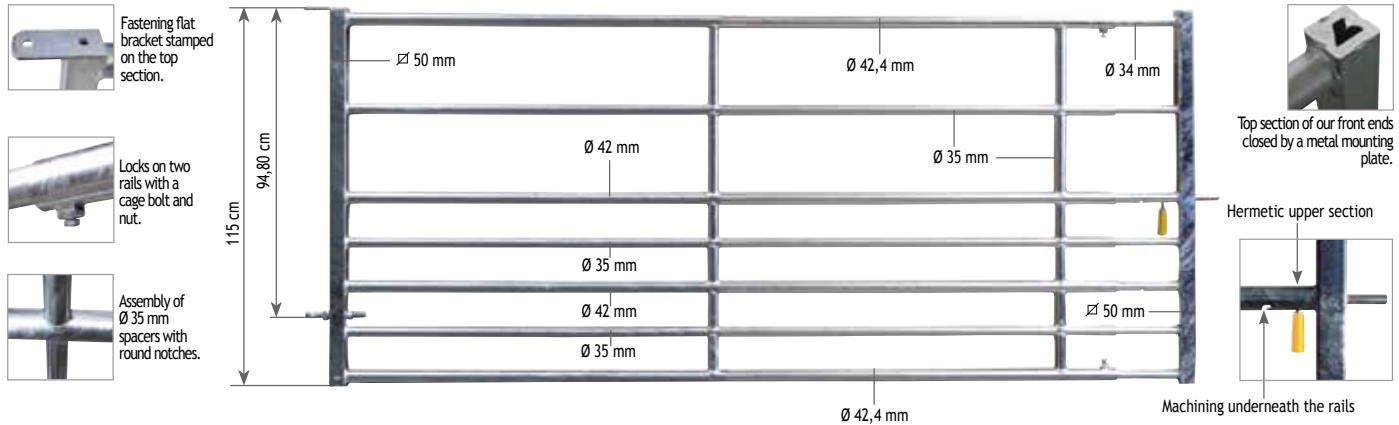
- panel with 2 fixing plates to bolt with a 94,8 cm center space.
- 1 automatic latch "Easylock" Ø 20 mm, incorporated in the tube (a second latch can be added as an option, to be fitted inside 3rd tube from bottom).

Top plate welded on upper part.

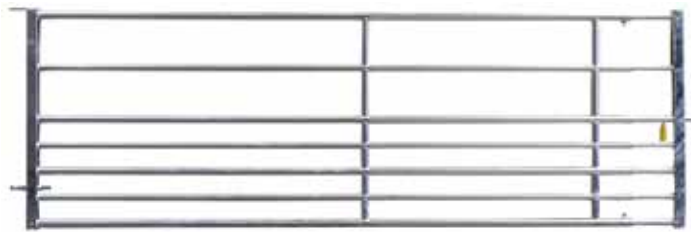
Adjustment on top & bottom tubes with screw system.

Vertical tubes Ø 42 mm U-shape welded

Front square post tube with closed top



7-RAILS EXTENDABLE GATE Ø 42,4/35 MM



■ Material : Galvanised steel

■ Number of rails : 7

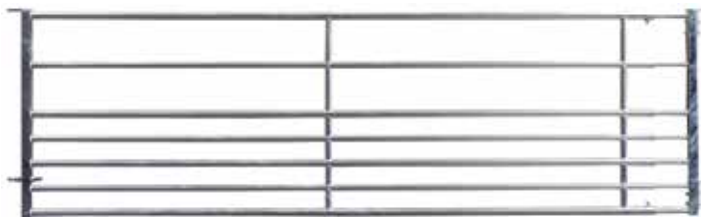
■ Height : 1.15 m

■ Ø: 42.4/35 mm

An additional "Easylock" locker can be added on 3rd tube Ø 42,4 mm, pre-cut.

Length m	Number of spacers	Net weight kg	Code Unit	€ Ex. VAT	Packing Dealer
2 to 3	1	48	112 14 70		
3 to 4	1	61	112 14 71		
4 to 5	2	77	112 14 72		
5 to 6	3	92	112 14 73		

EXTENDABLE Ø 42 MM FIELD PANEL WITH Ø 34 MM MULTI-PURPOSE FRONT END



■ Material : Galvanised steel

■ Number of rails : 7

■ Height : 1.15 m

■ Ø: 42.4/35 mm

Factory-fitted with two fastening flat brackets to screw on the front upright of the panel at a fastening centre distance of 94.8 cm.

Length m	Number of spacers	Net weight kg	Code Unit	€ Ex. VAT	Packing Dealer
2 to 3	1	48	112 14 80		
3 to 4	1	61	112 14 81		
4 to 5	2	77	112 14 82		
5 to 6	3	92	112 14 83		

EXTENDABLE 4-RAIL (Ø 40 MM) GATE



Extendable gates, in panel or drinker opening version, are essential accessories when installing group calf pens.

Technical characteristics:

Rear section:

- 4 Ø 40 mm rails,
- 2 rails fitted with locking by cage bolt and nut,
- square 40 mm end with 2 fastening flat brackets,

Front section:

- 4 Ø 32 mm rails,
- square 40 mm end with 2 fastening flat brackets.

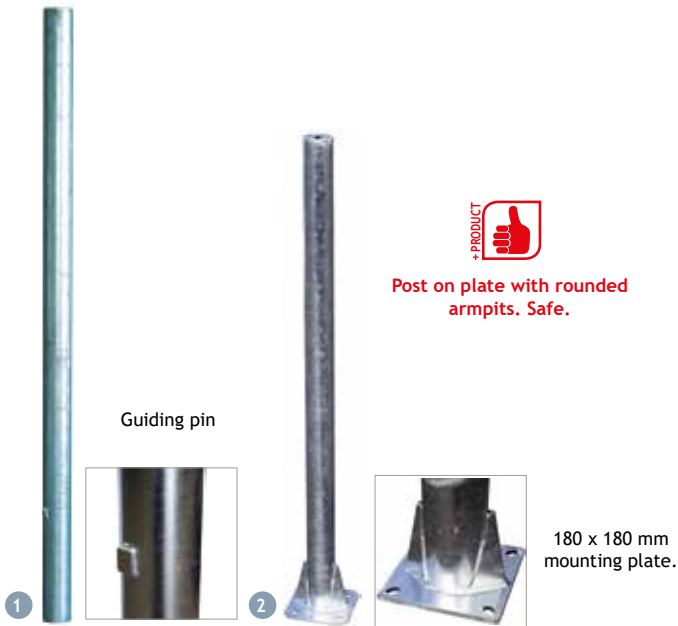
■ Overall height: 0.77 m

■ Material: Galvanised steel

Model	Length m	Net weight kg	Code Unit	€ Ex. VAT	Packing Dealer
1 Panel	0.50 to 1.20	11	112 37 63		
	1 to 1.60	14	112 37 65		
2 With drinker opening	0.85 to 1.20	11	112 37 69		
	1.35 to 1.60	14	112 37 71		



ACCESSORIES FOR GROUP CALF PEN



BARED POST TO EMBED - Ø 76 MM

Post fitted with a guiding pin in lower part. Designed for PE or Isoprotec sleeves.

■ Material : Galvanised steel

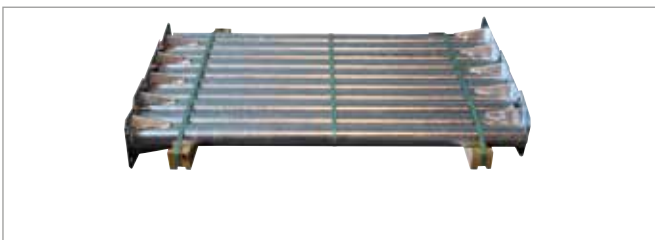
Fastening	Height m	Net weight kg	Code Unit	€ Ex. VAT	Packing Dealer
1 to embed	1.65	8.5	112 38 01		

Ø 76 MM BARED POST ON PLATE

■ Material : Galvanised steel

Fastening	Height m	Net weight kg	Code Unit	€ Ex. VAT	Packing Dealer
2 on mounting plate	1.35	8.2	112 38 03		

Our round and square posts are packaged in stackable strapped packages, easy to pick up with the forklift. Quantity in package variable, see table.



Design your installation yourself with our online tool www.bovi3d.com



Flanges innovation

All our flanges Ø 76 are designed with a stamp in order to obtain a protruding anti-rotation spike on the side post **A** with reinforcements during screw slot **B**.

1/2 Ø 76 MM BRACKET



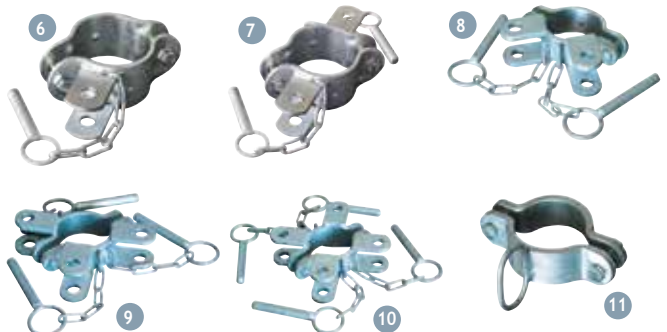
Delivered with a Ø 10 mm screw - length 30 mm and 1 nut.

■ Ø 14 mm chain piton.

■ Material: Galvanised steel

Model	Packaging	Net weight kg	Code Unit	€ Ex. VAT	Packing Dealer
3 bared	1	0.5	112 37 82		
	Pack of 40	17.5	112 37 82 PACK		
4 1 direction	Pack of 20	15.5	112 37 84 PACK		
5 2 directions at 90°	Pack of 20	25.5	112 37 88 PACK		

Ø 76 MM BRACKET



Delivered with two Ø 10 mm screws - length 30 mm and two nuts.

■ Ø 14 mm chain piton.

■ Material: Galvanised steel

Model	Net weight kg	Packaging	Code Pair	€ Ex. VAT	Packing Dealer
6 1 direction	2.5	Pair	112 37 83		
7 face-to-face 2 directions	3.5	Pair	112 37 85		
8 2 directions at 90°	3.5	Pair	112 37 87		
9 3 directions	4.5	Pair	112 37 89		
10 4 directions	5.5	Pair	112 37 91		
11 lock	4.5	Pair	112 37 93		



Check out our videos on channel : **COSNET SAS**

"ISOPROTEC" WATERTIGHT COVERS AND SLEEVES FOR POSTS



Watertight PE cover.

Monoblock with seal.

"ISOPROTEC" PE full covers for stall posts meet a primary need in cattle housing structures.

The protective zinc deposited by hot galvanisation on the tubular support posts degrades more or less quickly over time.

This zinc, attacked by the acids present in the slurry and by the magnetic fields of livestock buildings (more or less well grounded), disappears over time resulting in rust which can destroy the post.

To date, there are no solutions on the market to achieve perfect sealing between the posts and the floor or the interlocking sleeves in which they are slotted. Infiltrations always end up corroding the posts over time.

"ISOPROTEC" PE full covers offer perfect sealing. They are made of one-piece rotomolded PE, which is much less brittle than injection, and has a flexible seal at the top.

This protection can be slotted onto round $\varnothing 76$ Cosnet posts to be embedded.

It offers the possibility either of sealing directly in the concrete or of being slotted into a PE "ISOPROTEC" socket to be embedded in the ground to make them removable during cleaning. Avoids electrostatic effect.



1 "ISOPROTEC" PE FOR POSTS $\varnothing 76$ MM

Patented "ISOPROTEC" round PE covers can be used in two ways: - they can be directly embedded in the concrete thus providing a watertight sleeve for the galvanised post. They can also be used with "ISOPROTEC" sockets, thus making the assemblies removable during cleaning. Delivered with seal.

- Material : polyethylene resin
- Height to embed : 365 mm
- Overall height : 665 mm

\varnothing mm	Net weight kg	Code Unit	€ Ex. VAT	Packing Dealer
92	1.8	112 37 96		

2 "ISOPROTEC" PE SLEEVE FOR $\varnothing 76$ MM POSTS



"ISOPROTEC" PE sleeves are to be embedded in the concrete flush with the floor. They are designed, according to the model, to accommodate $\varnothing 76$ mm posts fitted with an "ISOPROTEC" cover. They allow the posts to be easily removed from their location during cleaning.

To embed in a slab poured by professional builders. The round socket allows the posts to be positioned every 90° .

- Material : polyethylene resin
- Height : 375 mm

\varnothing mm	Net weight kg	Code Unit	€ Ex. VAT	Packing Dealer
116	1.4	112 37 95		

COVER FOR "ISOPROTEC SLEEVE"

The special "ISOPROTEC" galvanised cover for sleeve protects the sleeve when the post is removed during cleaning.

- Material : Galvanised steel

\varnothing mm	Code Unit	€ Ex. VAT	Packing Dealer
89	112 37 97		

PE SLEEVE FOR $\varnothing 76$ MM POST

Allows easy removal of the post at any time. To embed in a concrete slab.

\varnothing mm	Height mm	Net weight kg	Code Unit	€ Ex. VAT	Packing Dealer
100	365	-	112 37 78		

COVER FOR PE SLEEVE

Slots on top of the $\varnothing 76$ mm post's sleeve, sealing it during cleaning.

- Material : Galvanised steel
- \varnothing : 76 mm

Net weight kg	Code Unit	€ Ex. VAT	Packing Dealer
0.5	112 37 81		



Design your installation yourself with our online tool www.bovi3d.com



COMFORT SR, SF, SRS, AND LR HEADLOCK PANELS PATENTED



Discover our "CABON System" on page 42 to automatically open and close self-locking headlocks.



Control bar piloted by a polymer handle on a guided spring system.

Tabs guaranteed 5 years. Durable polymer tabs, UV and frost stabilised. Safe head by head opening possible.



Elastic spring system for an automatic mobile bar return to open position thanks to an elastic spring system on rails.



Mobile bar axis fitted with a reinforcing ring bushing limiting long-term wear.



Mobile bar with top and bottom head guard which also prevents concentrate feed dispenser collar snagging. Lower section of the mobile bar rounded.



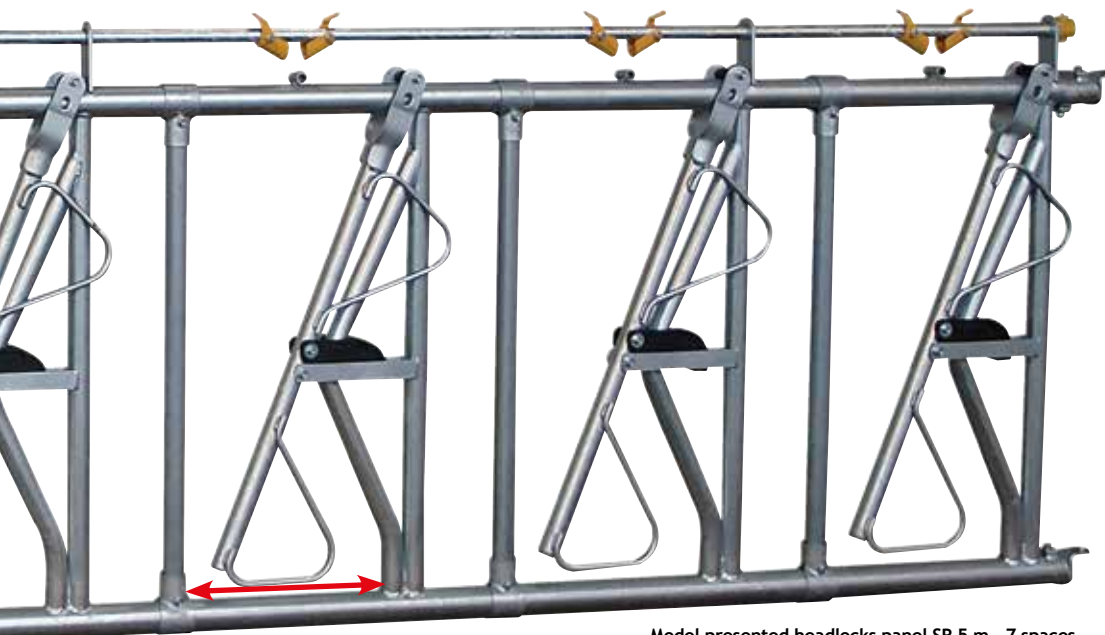
- Adjustable neck width for SR, LR, and SRS models.
- Anti-choke system for SR, SF, and SRS models.
- Anti-noise system.
- Top and bottom head guard on mobile bar.
- Rounded fastening at each end of the mobile bar.
- Patented system for automatic moveable bar return to open position.
- Mobile bar axis fitted with a reinforcement ring.



PATENTED System. Double quick release polymer embedded tabs. Effectively and silently locks mobile bars thanks to a large diameter Teflon spacer.



Individual openings can be left closed when the headlock is fully opened thanks to the factory-fitted pin on the top parts of the side rails and moveable bars.



Reinforcement rings on each end of the control bar. Headlock delivered factory fitted with four L-shaped ends which can be raised by turning them over.

Factory fitted anti-choke system for SR, SF, and SRS models.

Model presented headlocks panel SR 5 m - 7 spaces



Check out our videos on our channel :
COSNET SAS





1 COMFORT SR HEADLOCK PANEL



Adjustable neck.

Model with adjustable neck width.

Ideal for use with hornless cattle. Anti-choke and anti-noise system. Delivered with four L-shaped ends that can be raised by turning them over and reinforcements to embed according to the model. Compatible with the CABON system.

■ Fastening centre distance: 96 cm ■ Material: Galvanised steel

Length m	Number of spaces	Number of reinforcements to embed	Net weight kg	Code Unit	€ Ex. VAT	Packing Dealer
1	1	-	25	115 31 01		
1.67	2	-	54	115 31 00		
2.10	3	-	58	115 31 16		
New 2.60	4	-	83	115 31 23		
3	4	-	85	115 31 17		
3.40	5	1	97	115 31 18		
3.65	5	1	104	115 31 20		
	5	1	120	115 31 02		
4	6	1	129	115 31 03		
	7	1	142	115 31 19		
4.40	6	1	132	115 31 06		
New 4.60	8	1	160	115 31 14		
4.80	7	1	144	115 31 22		
	7	1	145	115 31 04		
	6	1	147	115 31 05		
5	7	1	149	115 31 07		
	8	1	162	115 31 09		
	9	1	175	115 31 10		
5.40	8	1	165	115 31 08		
	10	1	212	115 31 21		
	8	2	189	115 31 11		
6	9	2	186	115 31 13		
	10	2	214	115 31 15		
	11	2	218	115 31 12		

COMFORT SF HEADLOCK PANEL



Non-adjustable neck.

Model with non-adjustable neck

Ideal for use with hornless cattle. Anti-choke and anti-noise system. Delivered with four L-shaped ends that can be raised by turning them over and reinforcements to embed according to the model. Compatible with the CABON system.

■ Fastening centre distance: 96 cm ■ Material: Galvanised steel

Length m	Number of spaces	Number of reinforcements to embed	Net weight kg	Code Unit	€ Ex. VAT	Packing Dealer
New 2.60	4	-	77	115 33 01 S		
New 3.20	5	-	95	115 33 02 S		
New 3.80	6	1	112	115 33 03 S		
	7	1	140	115 33 07		
5	8	1	152	115 33 09		
6	8	2	178	115 33 11		



COMFORT SR HEADLOCK PANEL
1 SPACE



Adjustable neck.

Model with adjustable neck width. Ideal for use with hornless cattle. Anti-choke and anti-noise system. Delivered with four L-shaped ends that can be raised by turning them over and reinforcements to embed according to the model. Compatible with the CABON system.



Discover our "CABON System" to automatically open and close self-locking headlocks.

COMFORT SRS HEADLOCK PANELS

COMFORT SRS HEADLOCK PANEL WITH AUTOMATIC ADJUSTABLE NECK



The quietest on the market Multi-purpose, it adapts to all ages of cattle.

The SRS model combines a comfort SR headlock panel and a feed panel.

It is part of a range of headlocks for facilities that are perfectly adaptable over time to all ages of cattle.

It can be used in two ways:

- Self-service position

When the double frame is open (positioned for self-service), it provides a wide head opening for animals without any movement of the headlock's moveable bar to access it. This version is silent.

- The headlock position

In this case, the double frame is positioned to fit the neck of the animal to retain, the headlock function is therefore safely provided.

Perfectly suited to horned or hornless cattle. To be mounted as a post front to leave room for the conversion of the double frame positioned at the front section of the headlock.

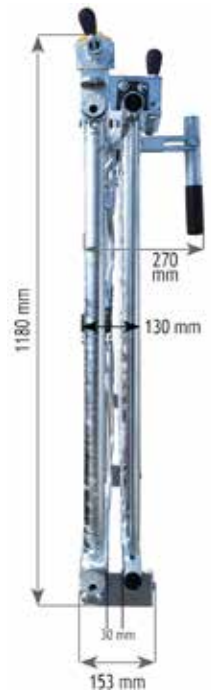
Delivered with four L-shaped ends that can be raised by turning them over and reinforcements to embed according to the model.

Length m	Number of spaces	Number of reinforcements to embed	Net weight kg	Code Unit	€ Ex. VAT	Packing Dealer
4	5	1	165	115 34 07		
	6	1	170	115 34 09		
	6	1	201	115 34 11		
5	7	1	205	115 34 17		
	8	1	235	115 34 19		
	8	2	254	115 34 25		
6	9	2	270	115 34 27		
	10	2	287	115 34 29		

■ Fastening centre distance : 96 cm

■ Material: galvanised steel

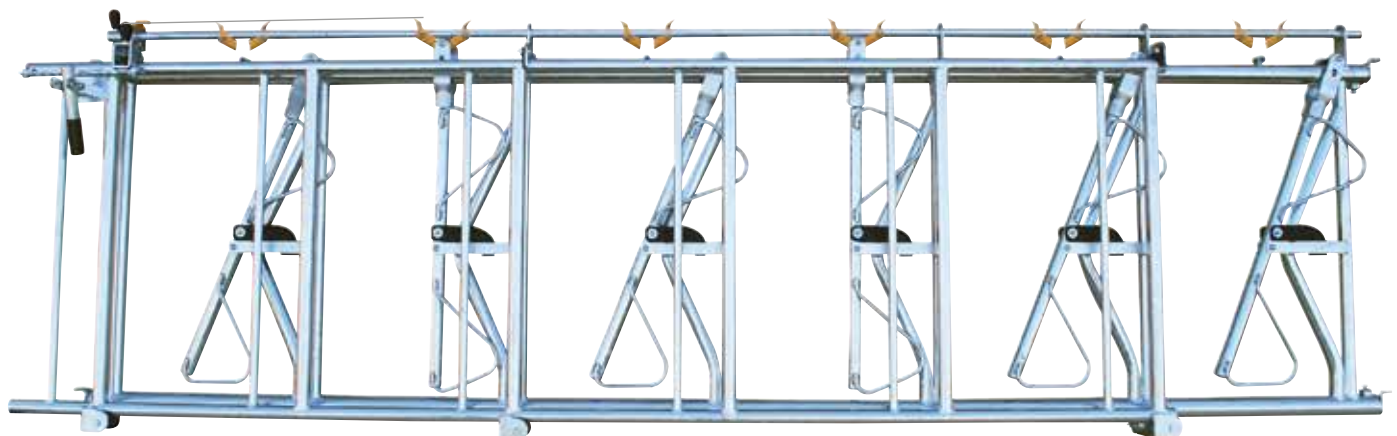
■ To be mounted as a post front to leave room for the conversion of the double frame positioned at the front section of the headlock.



Spring control handle for quick positioning of the double panel neck.



Double panel guiding by technical parts in ertalon for enhanced silence.



Folding neck adjustment handle. Simultaneous adjustment of the necks of all openings using a simple handle.



Ø 42.4 mm neck bars with guard bars welded to the double panel. Identical intervals to the neck bars initially mounted on a standard headlock. Allows a range of neck adjustments from self-service (full clearance) to neck reduction to that of young animals.



On the lower part, centring technical roller supports in ertalon fastened onto flat brackets welded to the headlock panel.

SRS headlock in feed panel position



SRS headlock in locked position



Design your installation yourself with our online tool www.bovi3d.com



COMFORT LR HEADLOCK PANEL



Wide head opening.

Model with adjustable neck width. Perfectly suited to beef cattle with small horns or no horns.

Delivered with four L-shaped ends that can be raised by turning them over and reinforcements to embed according to the model.
Compatible with the CABON system.

■ Fastening centre distance: 96 cm

■ Material: Galvanised steel

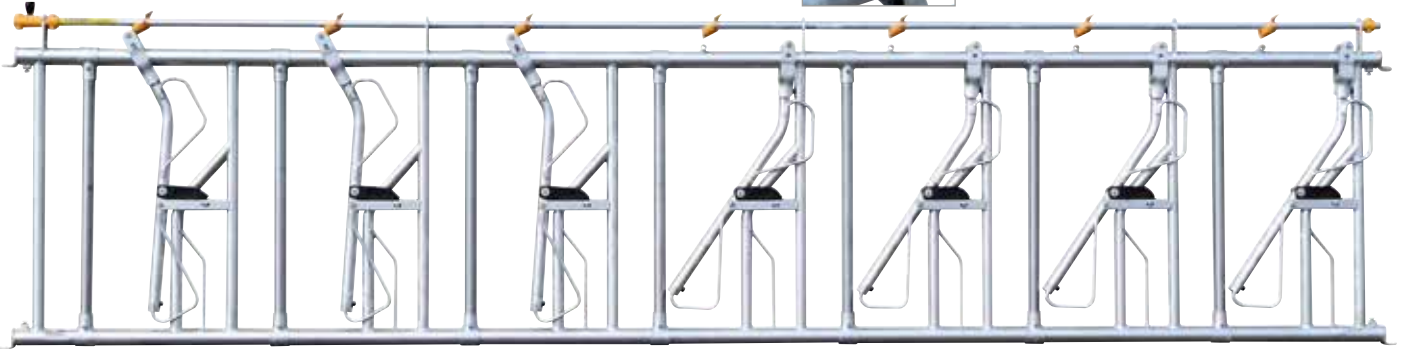
Length m	Number of spaces	Number of reinforcements to embed	Net weight kg	Code Unit	€ Ex. VAT	Packing Dealer
1	1	-	25	115 31 31		
New 1.30	1	-	25	115 31 32		
4	5	1	100	115 31 33		
5	7	1	143	115 31 37		
6	8	2	184	115 31 41		



Patented SYSTEM.
Single quick release polymer embedded tab. Effectively and silently locks moveable bars thanks to a large diameter Teflon spacer.



Individual openings can be left closed thanks to the factory-fitted pin on the top parts of the side rails and moveable bars.



Patented elastic spring system for an automatic mobile bar return to open position thanks to an adjustable elastic spring system on a rack.




Top section of the moveable bar fitted with a noise damping pad to reduce stress on the animals.

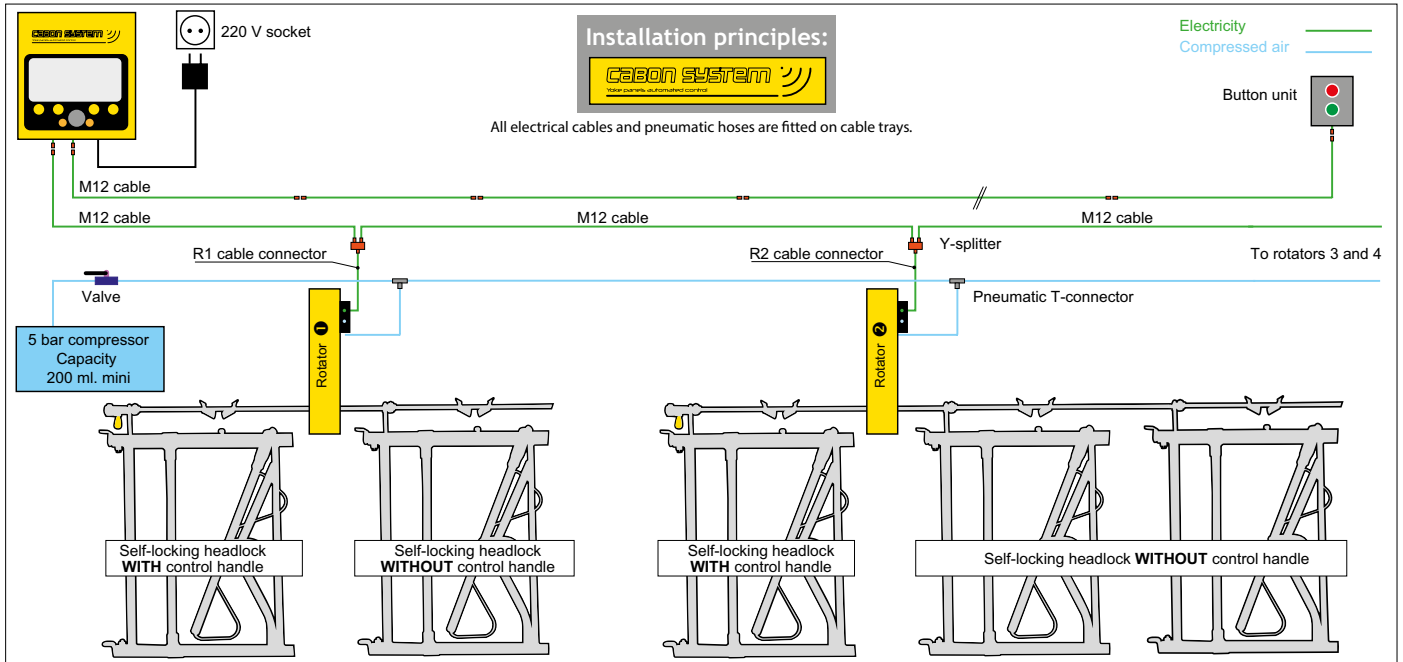




HEADLOCK PANEL AUTOMATIC OPENING AND CLOSING "CABON SYSTEM"

+PRODUCT  **Reduce working time.**
Flexibility and safe use thanks to pneumatics.

Herd sizes are increasingly larger on farms. Farmers want to reduce their working time and improve herd safety. Our CABON headlock opening and closing system, developed and tested on farms for many years, meets these objectives.



Rules to follow to install a "CABON SYSTEM" on a headlock panel row.

- 1) One Cabon system unit can accommodate up to four rotators. Ideally, one rotator can handle up to 35 openings.
- 2) Ensure that the control bars of the headlocks of a same line handled by one rotator are perfectly aligned. Once connected to each other, the handling of the structure with a single handle must be easy with one hand.
- 3) A power supply via a 220V socket near the central digital unit is required.
- 4) Always start a headlock line with a manual handle (to be fitted with the stainless steel locking hook supplied with each rotator), the latter, in the event of an electricity or air cut, allowing manual operation of the line.
- 5) Protect the cattle from the air and 24V electricity supply lines.
- 6) Install the air pipe support cable and the 24V electricity cable at a suitable height, i.e. about 2.5 to 3 m as required (tractor or animal passing under them).

CABON SYSTEM STARTING KIT

+PRODUCT **Quick to mount. Ready to be plugged in.**

PATENTED

- 1** Includes:
- 1 "CABON" central unit Digital and easy to use, it allows the use of up to four pneumatic rotators.

Features: 4 control buttons; 1 for each rotator, therefore by group of approximately 35 openings, for example, 5 7-space headlock panels or 4 8-space headlock panels. For a greater requirement, extra units will be installed and linked together.

Programming: a time delay can be programmed directly in the unit to manage the opening and closing durations for all the headlocks and their opening time. Adjustment by one minute per short pulse and per five minutes per long pulse.
Safety: in the event of an unexpected power cut, the CABON system is programmed to open all the headlocks.

The CABON central unit is delivered with:

- 1 pneumatic tube - Length 100 m - Ø 8 mm,
- 4 cables Length 5 m R1 R2, R3, and R4 to link the rotators to the M12 cable,
- 1 pneumatic valve,
- 1 Ø 8 mm T-connections,
- 2 pneumatic T-connections (Ø 8 mm and Ø10 mm) to connect to the structure.

- 2** • 1 rotator
- Operates by air cylinder (pressure 4-6 bar) protected in a metal casing. Mechanism adaptable at any time on the control bar and on any brand of headlock (via 1 adaptation kit). Fastening in the headlock's pin with no obstructing protuberance for the structure and protected from the cattle. Count one rotator for approximately 35 openings (variable depending on the quality of mounting).

The rotator is delivered with:

- 1 M12 electric cable - Length 25 m,
- 1 Y distributor,
- 1 stainless steel hook and headlock handle locking screws,
- 1 Ø 8 mm T-connection.

The structure is delivered in a complete box.
 One starting kit for up to three extra rotators (115 30 07) can be added as required by the structure.

Code Kit	€ Ex. VAT	Packing Dealer
115 30 01		

EXTRA CABON ROTATOR

Delivered with:

- 1 stainless steel hook and headlock handle locking screws,
- 1 M12 electric cable - Length 25 m,
- 1 Y distributor,
- 1 Ø 8 mm T-connection.

The structure is delivered in a complete box.

Code Unit	€ Ex. VAT	Packing Dealer
115 30 07		

CABON BUTTON UNIT

Repeater button to open and close all headlocks. It also triggers the timer if it has been programmed. Can be installed, according to the requirements and working habits, anywhere in the facility, even at the end of the line.

Code Unit	€ Ex. VAT	Packing Dealer
115 30 05		



Ø 8 MM PNEUMATIC TUBE

Extra reel if more than the 100 m reel supplied with the starting kit is required.

Diameter mm	Length m	Code Roll	€ Ex. VAT	Packing Dealer
8	100	115 30 15		



M/F M12 ELECTRIC/CABLE

To link the CABON unit to the button unit. To order as necessary, according to the structure's length.

Length m	Code Roll	€ Ex. VAT	Packing Dealer
25	115 30 09		
5	115 30 11		



CABON Y DISTRIBUTOR

To connect two M12 cables to the CABON unit's outlet. Only to be used if there are two button units installed on the headlock line.

Code Unit	€ Ex. VAT	Packing Dealer
115 30 13		



Check out our videos on channel : **COSNET SAS**

Contact us !

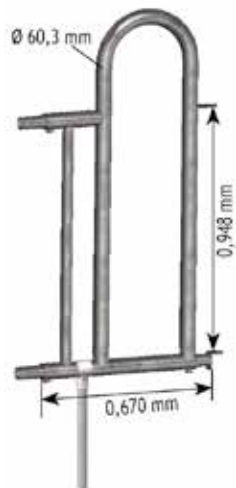
Our technical team is at your disposal to advise you, supply quotes and show you around our pilot installations.





ACCESSORIES FOR THE COMFORT HEADLOCK PANEL

OPENING-END FOR HUMANS FOR COMFORT HEADLOCK PANEL



Height of opening: 1.28 m
width of opening: 0.30 m

End to be mounted at the end of the headlock panel to create an opening for humans.

With this end, the fitting axls must be upgraded by 0.60m.

Delivered with a reinforcement to embed.

Length mm	Net weight kg	Code Unit	€ Ex. VAT	Packing Dealer
600	18	115 05 18		

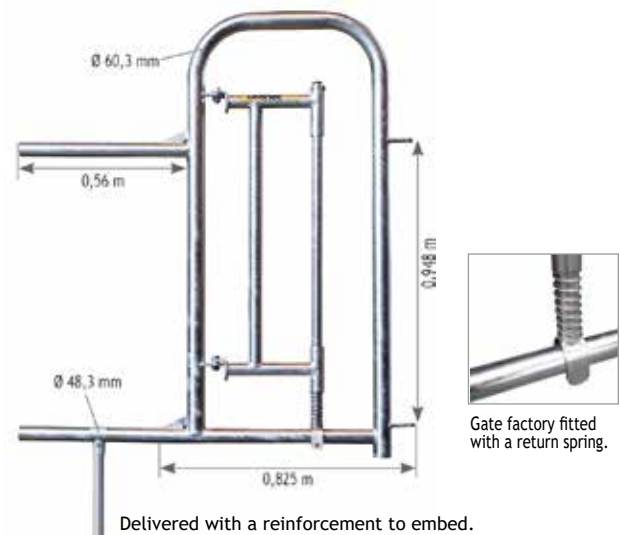
BARRIER FASTENING SUPPORT FOR HEADLOCK PANEL



Barrier fastening support for headlock panel.
Choice: Model for straight-mounted headlock or model for tilted-mounted headlock.

Headlock	Net weight kg	Code Unit	€ Ex. VAT	Packing Dealer
1 straight	8	115 05 38		
2 tilted	9	115 05 36		

OPENING-END WITH GATE FOR HUMANS FOR COMFORT HEADLOCK PANEL



Delivered with a reinforcement to embed.

Height of opening: 1.37 m.
Width of opening: 0.56 m.
End to be mounted at the end of the headlock panel to create an opening for humans with a gate. Fitted with this end, the fastening centre distance of a headlock must be increased by 1 m. A neck bar (115 05 34) can be used, as required, between the headlock panel and the opening for humans. Gate factory fitted with a return spring.

Length mm	Net weight kg	Code Unit	€ Ex. VAT	Packing Dealer
1,300	40	115 05 14		

END TO ADAPT HEADLOCK LENGTH

Compatible with the SR, SF, and LR headlock panels.

Net weight kg	Code Unit	€ Ex. VAT	Packing Dealer
4	115 05 22		



ACCESSORIES FOR THE COMFORT HEADLOCK PANEL

L-SHAPED FASTENING END



- Material: Galvanised steel
- Diameter: 50 mm

Model	Length mm	Net weight kg	Code Unit	€ Ex. VAT	Packing Dealer
1 standard	293	1	115 05 21		
2 extended	503	1.8	115 05 24		
3 double extended	503	6	115 05 31		

FASTENING END ON MOUNTING PLATE



- Diameter: 50 mm
- Material: Galvanised steel

Model	Length mm	Fastening	Net weight kg	Code Unit	€ Ex. VAT	Packing Dealer
4 with stable front post mounting plate	600	on post front	2.4	115 05 17		
5 T-shaped, fastening between posts	218	on the side of the post	1.2	115 05 19		
6 extended T-shaped, fastening between posts	468	on the side of the post	1.9	115 05 26		
7 L-shaped, fastening between posts	218	on the side of the post	1.2	115 05 20		

FASTENING END / WITH Ø 102 MM 1/2 BRACKET

- Diameter: 50 mm
- Material: Galvanised steel

Model	Length mm	Fastening	Net weight kg	Code Unit	€ Ex. VAT	Packing Dealer
with Ø 102 mm 1/2 bracket	218	on the side of the post	1.2	115 05 27		

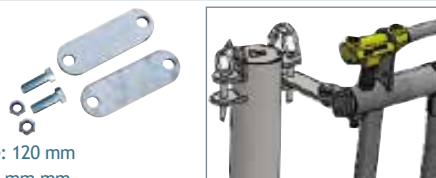
STRAIGHT END

- Material: Galvanised steel
- Diameter: 50 mm

Model	Length mm	Net weight kg	Code Unit	€ Ex. VAT	Packing Dealer
straight	285	1.2	115 05 15		

OFFSET FASTENINGS

Pair of offset fastenings to mount a tilted headlock.



- Fastening centre distance: 120 mm
- Number of holes: 2 - Ø 16 mm mm

Net weight kg	Code Pair	€ Ex. VAT	Packing Dealer
1	115 05 25		

QUICK RELEASE POLYMER TAB



Heavy duty polymer tab. Compatible with Comfort SR, SF, SR headlocks, the Comfort JUNIOR headlock, the LR headlock, and RTC II and RDTC II hay racks.



Code Unit	€ Ex. VAT	Packing Dealer
115 05 28		

Ø 42 MM NECK BAR WITH Ø 60 MM CLAMPS

Ø 42 mm neck bar with Ø 60 mm clamps. Compatible with the SR, SF, and LR headlock panels.

- Fastening centre distance: 960 mm

Net weight kg	Code Unit	€ Ex. VAT	Packing Dealer
5	115 05 33		

Ø 42 MM NECK BAR WITH Ø 48 MM CLAMPS

Ø 42 mm neck bar with Ø 48 mm clamps. Compatible with the extended double L end (115 05 31).

- Fastening centre distance: 960 mm

Net weight kg	Code Unit	€ Ex. VAT	Packing Dealer
5	115 05 34		

FASTENING REINFORCEMENT ON LOW WALL FOR HEADLOCK PANEL



Fastening reinforcement designed to mount a headlock with installation on low wall masonry. Compatible with SR, SF, SRS, LR headlock panels and tombstone and diagonal feed panels for cattle.

Model	Length cm	Net weight kg	Code Unit	€ Ex. VAT	Packing Dealer
10 non-adjustable	47	2	115 05 39		
11 adjustable New	47.9	3.10	115 05 37		

REINFORCEMENT TO EMBED WITH Ø 60.3 MM CLAMP

This reinforcement to embed fastens onto the lower Ø 60.3 mm rail of headlocks or feed panels. The tube section is to be embedded in the low wall located under the headlocks or feed panels. This ensures stability for all installations of over 5 m. Compatible with SR, SF, SRS, LR headlock panels and tombstone and diagonal feed panels for cattle.

- Diameter: 60 mm
- Length: 520 mm

Diameter mm	Net weight kg	Code Unit	€ Ex. VAT	Packing Dealer
60.3	1	115 05 32		

ELASTIC SPRING SYSTEM FOR COMFORT HEADLOCK PANEL

On rails, fitting each moveable bar for an automatic return to open position. Compatible with Comfort SR, SF, SRS headlock panels and RTC II and RDTC II hay racks.



Net weight kg	Code Unit	€ Ex. VAT	Packing Dealer
0.2	115 05 30		

CONNECTION TUBE FOR CONTROL BAR

Joins two SR, SF, SRS, and LR headlock panel control bars through drilling and screws.

Diameter mm	Length mm	Net weight kg	Code Unit	€ Ex. VAT	Packing Dealer
20	400	0.4	115 05 23		

FASTENING POST FOR TILTED HEADLOCK PANEL

Post to embed fitted with two welded flat brackets to fasten tilted headlock panels.

Square mm	Thickness mm	Height m	Net weight kg	Code Unit	€ Ex. VAT	Packing Dealer
90	3	1.96	15	115 21 73		

LIVESTOCK BUILDING FIT-OUT FOR CATTLE





Special horned cattle MODEL
80x80 mm beam
Crossing hoops



Reinforced balance pin guided in a sleeve.



Moveable bars with sliding sleeve inside acting as anti-snagging collar. Sleeves made of injected nylon.



Embedded tabs made out of injected nylon serving as a locking mechanism. In the locked position, the moveable bar's sleeve comes into contact with the tab. Extremely quiet system.



Low position control handle protected by the headlock's upright. Very flexible to use.

Crossing support and hoops.

SWEDISH PRO HEADLOCK PANEL



Designed for horned animals.
The strongest on the market.

Specifically designed for large horned animals and bulls. Extremely robust headlock with total clearance at the top of the tombstones. Model designed for horned animals. 80x80 mm post with crossing hoops

Technical characteristics:

Single 80 x 80 mm square beam with crossing hoops.
Opening with adjustable neck for a bull on some models.
Pro-Swedish headlock mounting recommendations:
For structures in spans, these headlocks with specific total dimensions are designed to be mounted on a post (and not between posts).

Delivered with four M22 eye bolts and reinforcements to embed according to the model.
Option : Pro-Swedish installation on masonry kit (115 35 23) and Pro-Swedish low wall fastening flat bracket (115 35 25).

- Fastening centre distance: 60 cm
- Material: galvanised steel

Reinforcement to embed designed with a narrower upper part to fit inside the crossing tube.

Opening with adjustable neck for a bull, present on some models



Length m	Number of spaces	Number of reinforcements to embed	Opening for a bull	Net weight kg	Code Unit	€ Ex. VAT	Packing Dealer
1	1	-	with	39	115 35 01		
2.50	3	1	with	80	115 35 03		
3	4	1	without	98	115 35 05		
4	5	1	with	127	115 35 07		
5	6	2	with	160	115 35 09		
	7	2	without	164	115 35 11		
6	8	2	without	191	115 35 13		

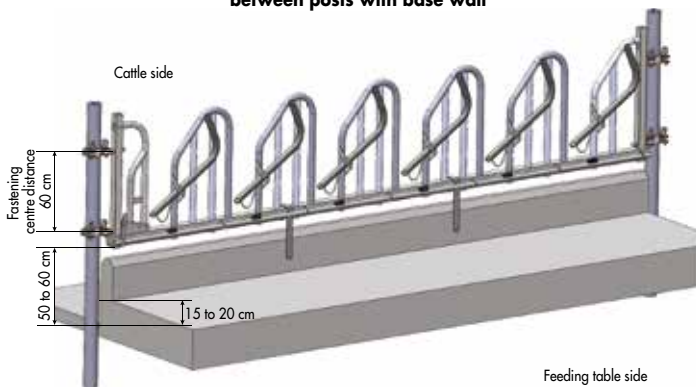




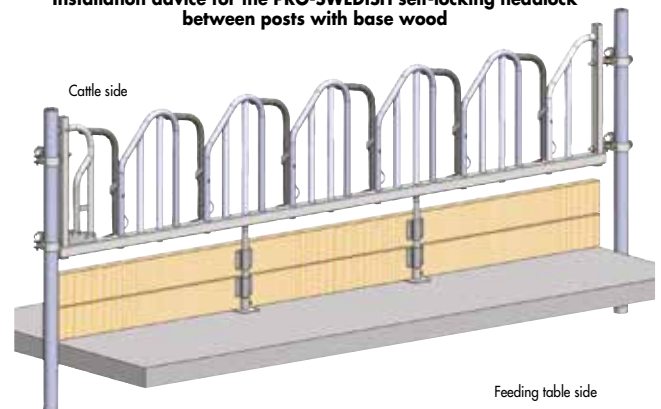
Tilted cutaway hoops offering ample clearance for young cattle. In folded position, the moveable bar retracts into the space of the tombstone avoiding any discomfort for animals.

Swedish Pro headlock installation tips

Installation advice for the PRO-SWEDISH self-locking headlock between posts with base wall



Installation advice for the PRO-SWEDISH self-locking headlock between posts with base wood



FASTENING REINFORCEMENT ON LOW WALL FOR PRO SWEDISH HEADLOCK

Fastening reinforcement as a flat bracket to screw. Designed for mounting a PRO-Swedish headlock in stallation on low wall masonry.



Length cm	Net weight kg	Code Unit	€ Ex. VAT	Packing Dealer
47	3	115 35 25		

REINFORCEMENT TO EMBED FOR PRO SWEDISH HEADLOCK

Extra reinforcement to embed to mount a PRO Swedish headlock.

Length cm	Net weight kg	Code Unit	€ Ex. VAT	Packing Dealer
98.4	2.8	115 35 21		

FASTENING REINFORCEMENT FOR INSTALLATION ON MASONRY KIT FOR SWEDISH PRO HEADLOCK

Kit features:

- 1 Ø 60 mm tube with one narrowed end,
- 1 150 x 150 mm mounting plate with sleeve,
- 2 fastening 1/2 brackets.

The kit is fastened to the ground using the mounting plate and on wood joists with fastening 1/2 brackets. Joists not supplied.



Net weight kg	Code Kit	€ Ex. VAT	Packing Dealer
5	115 35 23		

CONNECTION TUBE FOR CONTROL BAR



Joins two SR, SF, SRS, and LR headlock panel control bars through drilling and screws.

Diameter mm	Length mm	Net weight kg	Code Unit	€ Ex. VAT	Packing Dealer
20	400	0.4	115 05 23		

HIGH REMOTE CONTROL FOR PRO SWEDISH HEADLOCKS

A kit that can be installed at any time on a pro Swedish headlock. When coupled to the connecting tube for the control bar, it allows you to open or close several feeding gates simultaneously with a control handle that can be operated at height.

Length cm	Net weight kg	Code Unit	€ Ex. VAT	Packing Dealer
83,6	4,07	115 35 27		





2-RAIL (Ø 88 MM) FEED PANEL



Height adjustable by inversion.

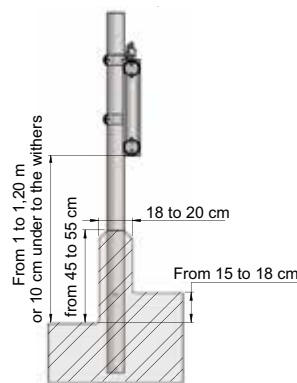
Each end can accommodate a threaded eye bolt factory fitted on U-turn brackets to effortlessly swivel the panel. Smaller sizes can be obtained by cutting the panel body.

To mount in front of the posts on the feeding aisle side.
Recommended for use in fattening young bulls.

- Fastening centre distance: 35.1 cm
- Material: Galvanised steel
- Height: 57 cm

Length m	Number of spacers	Net weight kg	Code Unit	€ Ex. VAT	Packing Dealer
4	1	66	115 11 47		
5	2	80	115 11 49		
6	3	94	115 11 51		

Installation advice



Example of mounting on Ø 102 mm post with pair of brackets.



Example of mounting on 200 x 200 mm wood posts with U-turn bracket.

U-TURN BRACKET FOR Ø 88 MM FEED PANEL

Swivelling fastening fitted with a threaded eye bolt in its centre.

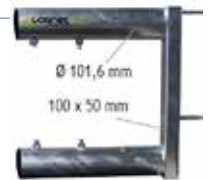
Is used to effortlessly invert the feed panel in order to adjust the height according to accumulated bedding and cattle age .



Net weight kg	Code Pair	€ Ex. VAT	Packing Dealer
14	115 11 53		

END FOR 2-RAIL FEED PANEL - Ø 88 MM

Designed to accommodate Ø 88 mm tubes. Rail locking by four bolts threaded into retaining nuts. Fitted with two fastening flat brackets. Can be used with U-turn bracket.



- Fastening centre distance: 35.1 cm

Net weight kg	Code Unit	€ Ex. VAT	Packing Dealer
14.5	115 11 55		

Height adjustable by inversion.





2-RAIL (Ø 76 MM) FEED PANEL



Very good value for money.

Smaller sizes can be obtained by cutting the panel body.
To mount in front of the posts on the feeding aisle side.

- Fastening centre distance: 37.6 cm
- Material: Galvanised steel
- Height: 55.4 cm

Length m	Number of spacers	Net weight kg	Code Unit	€ Ex. VAT	Packing Dealer
4	1	52.5	115 11 00		
5	2	65	115 11 01		
6	3	81	115 11 03		

END FOR 2-RAIL FEED PANEL - Ø 76 MM

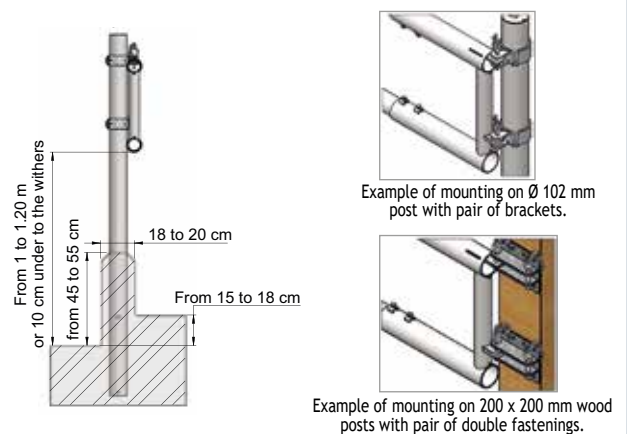
Designed to accommodate Ø 76 mm tubes. Rail locking by four bolts threaded into retaining nuts. Fitted with two fastening flat brackets.

- Fastening centre distance: 37.6 cm

Net weight kg	Code Unit	€ Ex. VAT	Packing Dealer
9	115 11 11		



Installation advice



Design your installation yourself with our online tool www.bovi3d.com



EXTENDABLE TWO -RAIL (Ø 60 MM) FEED PANEL OR CUBICLE CORRIDOR PARTITION



Designed to be used:

- either as a feed panel for young dairy cows.
- or as a cubicle corridor partition for dairy cows, fastened on special two-rail supports.



**Multi-purpose.
Extendable.**

- Fastening centre distance: 45.3 cm
- Height: 45 cm
- Material: Galvanised steel

Length m	Number of spacers	Net weight kg	Code Unit	€ Ex. VAT	Packing Dealer
2 to 3	1	28	115 09 11		
3 to 4	1	36	115 09 13		
4 to 5	2	45	115 09 15		
5 to 6	3	52	115 09 17		

3-RAIL (Ø 76 MM) FEED PANEL - QUICK HEIGHT ADJUSTMENT

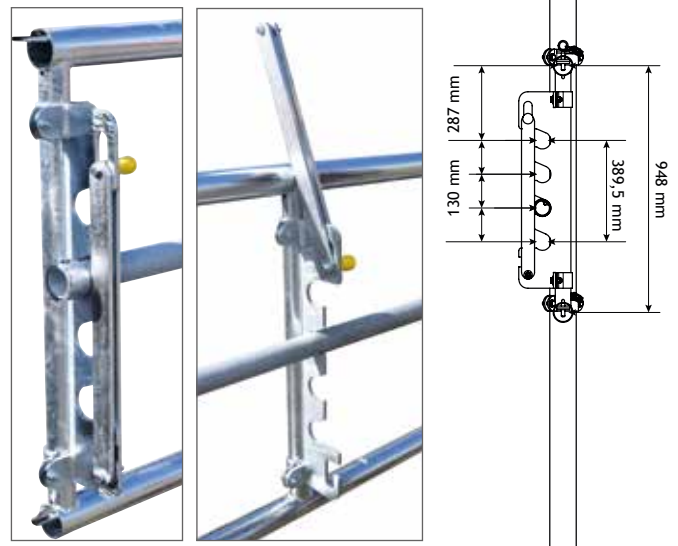


Quick-adjusting central rail.

Panel fitted with a central Ø 60.3 mm rail, height adjustable thanks to the fastening brackets attached to the three vertical uprights. Mounting height identical to feed panels and headlocks. Smaller sizes can be obtained by cutting the panel body. To mount in front of the posts on the feeding aisle side.

- Fastening centre distance: 94.8 cm
- Height: 106 cm
- Material: Galvanised steel

Length m	Nbre de fermetures	Net weight kg	Code Unit	€ Ex. VAT	Packing Dealer
4	3	80	115 11 04		
5	3	111	115 11 06		
6	3	126	115 11 08		



NEW

ADDITIONAL RAIL FOR FEED PANEL
SELF-SERVICE 3 RAILS Ø 60.3 MM

Supplied in 6 m length with 2 locking rings. Can be cut to the desired length.

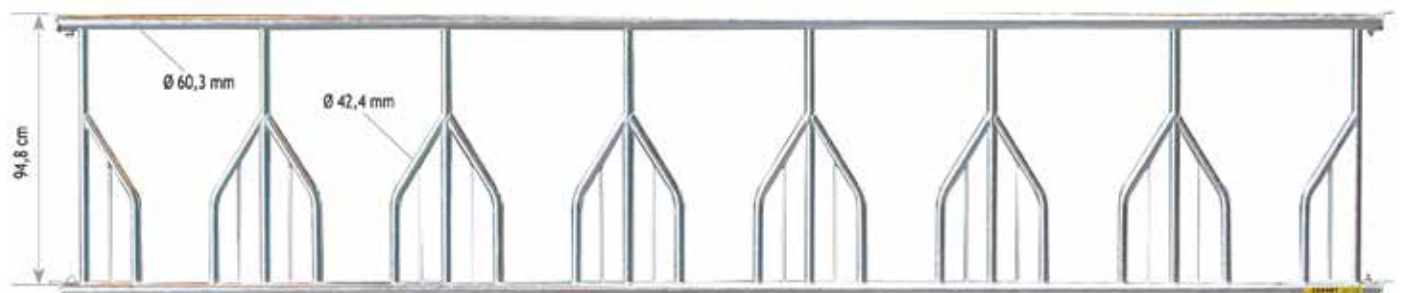
Length m	Ø mm	Net weight kg	Code Unit	€ Ex. VAT	Packing Dealer
6	60,3	25,5	115 11 12		

TOMBSTONE FEED PANEL

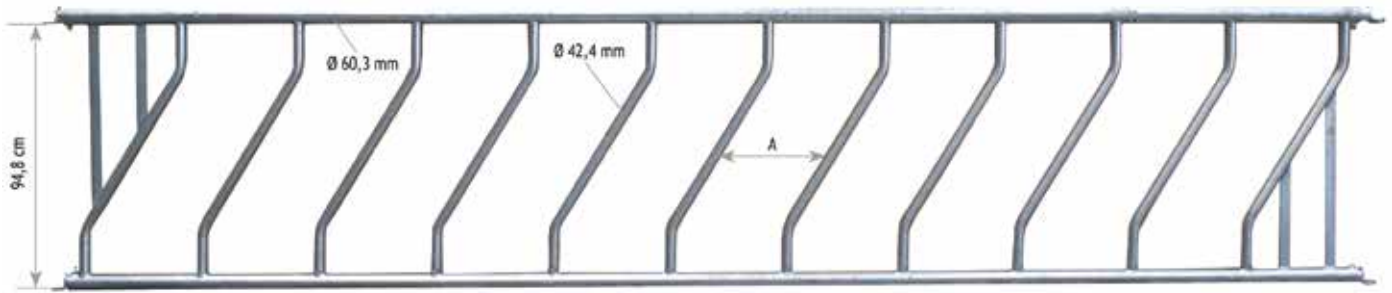
Panel fitted with four L-shaped adjustable ends to adjust structure length. Mounting height identical to feed panels and headlocks. For lengths of over 4 m, it is recommended to use a reinforcement to embed (1150532) in the middle of the panel.

- Fastening centre distance: 94.8 cm
- Material: Galvanised steel
- Height: 103 cm

Length m	Number of spaces	Net weight kg	Code Unit	€ Ex. VAT	Packing Dealer
3	4	47	115 11 21		
4	6	67	115 11 23		
5	7	84	115 11 25		
6	8	105	115 11 27		



DIAGONAL FEED PANEL



Panel fitted with four L-shaped adjustable ends to adjust structure length. Mounting height identical to feed panels and headlocks. For lengths of over 4 m, it is recommended to use a reinforcement to embed (115 05 32).

- Fastening centre distance: 94.8 cm
- Material: Galvanised steel
- Height: 103 cm



Length m	Number of spaces	Head opening width mm (A)	Net weight kg	Code Unit	€ Ex. VAT	Packing Dealer
2.50	4	395	32	115 09 05		
3	6	330	46	115 09 06		
4	8	364	61	115 09 00		
5	10	382	70	115 09 01		
	13	285	77	115 09 04		
6	12	395	88	115 09 03		

4 REINFORCEMENT TO EMBED WITH Ø 60.3 MM CLAMP

This reinforcement to embed fastens onto the lower Ø 60.3 mm rail of headlocks or feed panels. The tube section is to be embedded in the low wall located under the headlock panel or feed panels. This ensures stability for all installations of over 5 m. Compatible with SR, SF, SRS, LR headlock panels and tombstone and diagonal feed panels for cattle.

- Diameter : 42 mm
- Length : 520 mm

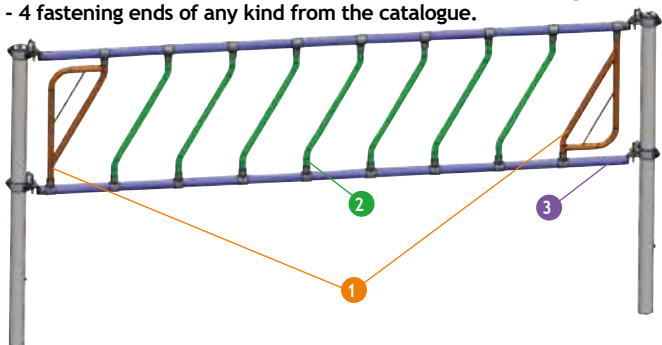
Diameter mm	Net weight kg	Code Unit	€ Ex. VAT	Packing Dealer
60.3	1	115 05 32		



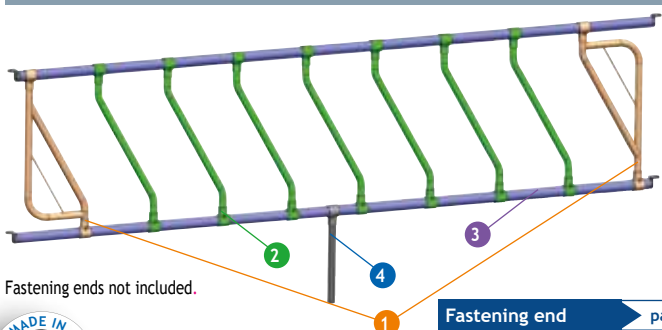
DIAGONAL FEED PANEL IN KIT

To mount a diagonal feed panel in kit form, the following is required:

- 1 pair of start or end ends.
- diagonal neck bars with clamps.
- 1 pair of side rails (Ø 60 mm).
- 1 reinforcement to embed recommended from 4 m in length.
- 4 fastening ends of any kind from the catalogue.



To get a perfect access to the self-service feeding gate, the head passage must be adjusted between 300 and 400 mm. It can also be adapted according to your animal's age.



Fastening ends not included.

Fastening end page 45

1 START OR END ENDS FOR DIAGONAL FEED PANELS IN KIT FORM

Ø 42.4 mm ends delivered with Ø 42/60 mm clamps. For diagonal feed panels in kit form.

Net weight kg	Code The pair	€ Ex. VAT	Packing Dealer
5.44	115 09 33		



2 Ø 42 MM DIAGONAL NECK BAR WITH Ø 60 MM CLAMPS

Ø 42.4 mm neck bar delivered with Ø 42/60 mm clamps. For diagonal feed panels in kit form.

Net weight kg	Code Unit	€ Ex. VAT	Packing Dealer
3.10	115 09 35		



3 PAIR OF SIDE RAILS FOR DIAGONAL FEED PANEL IN KIT FORM

2 Ø 60 mm tubes. For diagonal feed panel in kit form. Delivered without fastening ends, to be ordered, of any kind from the catalogue.

- Material: Galvanised steel
- Thickness: 3.2 mm
- Diameter: 60 mm

Length m	Net weight kg	Code Pair	€ Ex. VAT	Packing Dealer
2	9	115 09 21		
2.50	11.25	115 09 23		
3	13.5	115 09 25		
4	18	115 09 27		
5	22.5	115 09 29		
6	27	115 09 31		

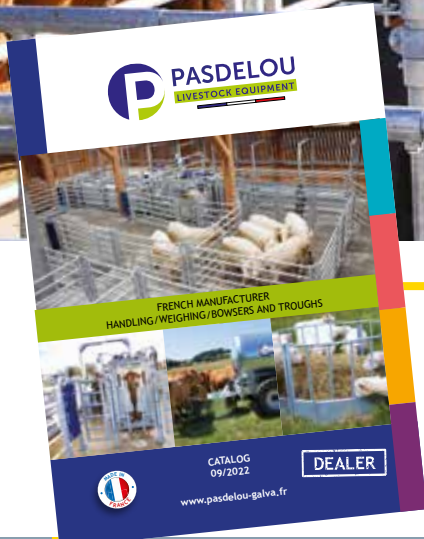




Experimental and training centre



Since 1st January 2017 the company Cosnet has its own experimental and training centre for suckler cows. This centre enables our technical teams to test and develop all our livestock equipment design and production. Close to our industry, it enables us to provide specialized training to our sales team as well as to Cosnet and Padelou dealers' staff..



In addition to our Cosnet tubular equipments, our salesforce will be able to answer your needs in handling and weighing equipment with PASDELOU, one of Cosnet Industries brands.



Ø 102 MM BARE POST TO EMBED

Guiding pin for bare post

With sealing cap.

The post should be embedded in the floor by about 475 mm.

■Material: Galvanised steel

■Fastening: Embedded in ground

	Height m	Model	Thickness mm	Net weight kg	Code Unit	€ Ex. VAT	Packing Dealer
1	1.68	New standard	4	21	115 21 18		
2	2.13	standard	4	21	115 21 07		
		reinforced	5	27.3	115 21 10		
3	2.51	standard	4	24	115 21 51		
		reinforced	5	28.5	115 21 06		

Ø 102 MM DIRECTIONAL POST TO EMBED

With sealing cap. The post should be sealed in the floor by about 475 mm.

■Thickness: 4 mm

■Material: Galvanised steel

■Fastening centre distance: 94.8 cm

	Model	Height m	Net weight kg	Code Unit	€ Ex. VAT	Packing Dealer
4	1 -way	2.13	22	115 21 09		
5	Face-to-face 2-ways		24	115 21 13		
6	2-ways at 90°		24	115 21 11		
7	3 -ways		24.5	115 21 15		
8	4 -ways		25	115 21 16		

Ø 102 MM BARE POST ON PLATE



Mounting plate with stamped reinforcement armpits.

With sealing cap.

Designed to be installed on a concrete slab with a minimum thickness of 15 cm with concrete correctly dosed in accordance with industry standards. Attachment must be by means of 4 mechanical anchors (Ø 16 mm, length 120 mm). Under these conditions this post can accommodate panels or barriers opening for maximum lengths of 5 to 6 m.

Delivered in a strapped package that can be stacked.

■Material: Galvanised steel

■Mounting plate: 200 x 200 mm

	Height m	Model	Thickness mm	Net weight kg	Code Unit	€ Ex. VAT	Packing Dealer
9	1.35	standard	4	20	115 21 26		
10	1.68	standard	4	20	115 21 08		
		reinforced	5	29	115 21 52		
11	1.98	reinforced	5	29	115 21 12		
		standard	4	23	115 21 53		

Ø 102 MM BARE POST ON PLATE FOR INSTALLATION ON A LOW WALL

Poteau nu sur platine en forme de L prévu pour être posé sur un muret.

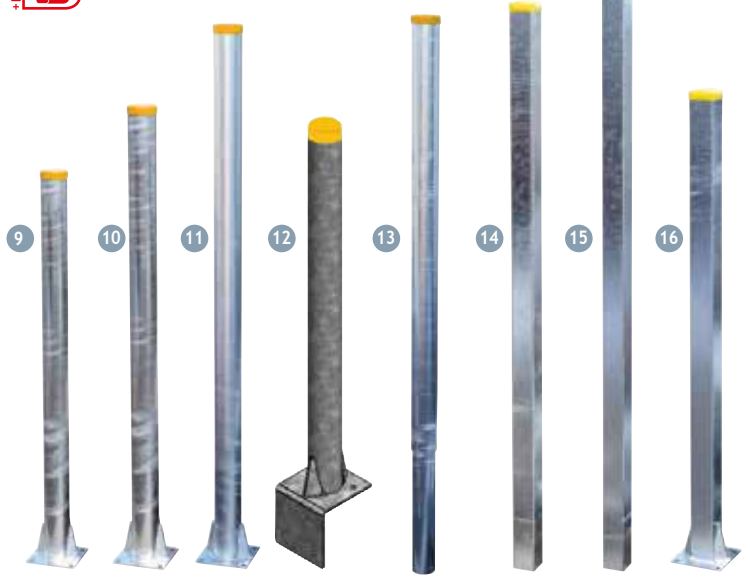
■Material: Galvanised steel

■Mounting plate: 200 x 200 x 200 mm

	Height m	Model	Thickness mm	Net weight kg	Code Unit	€ Ex. VAT	Packing Dealer
12	1.32	Pose sur muret	4	20	115 21 22		



Posts with sealing cap.



Ø 102 MM BARE RENOVATION POST

Built with a 450 mm Ø 92 mm lower section which perfectly slots into a Ø 102 mm of the cut embedded posts.

■Material: Galvanised steel

	Height m	Model	Thickness mm	Net weight kg	Code Unit	€ Ex. VAT	Packing Dealer
13	2.13	Renovation	4	20	115 21 20		

SQUARE 90 X 90 MM BARE POST TO EMBED

With sealing cap.

The post should be sealed in the floor by about 475 mm.

■Material: Galvanised steel

■Fastening: Embedded in ground

	Height m	Thickness mm	Net weight kg	Code Unit	€ Ex. VAT	Packing Dealer
14	2.10	4	24	115 23 01		
15	2.50	4	28	115 23 03		

SQUARE 90 X 90 MM BARE POST ON MOUNTING PLATE

With sealing cap.

Designed to be installed on a concrete slab with a minimum thickness of 15 cm with concrete correctly dosed in accordance with industry standards. Attachment must be by means of 4 mechanical anchors (Ø 16 mm, length 120 mm). Under these conditions this post can accommodate panels or barriers opening for maximum lengths of 5 to 6 m.

■Material: Galvanised steel

■Platine : 200 x 200 mm

	Height m	Thickness mm	Net weight kg	Code Unit	€ Ex. VAT	Packing Dealer
16	1.70	4	18	115 23 05		

BITUMINOUS COATING FOR POSTS

Because of the aggressiveness of silage, manure, and electrostatic phenomena on the zinc and the steel, for posts directly embedded in concrete, it is essential to apply Blackson bituminous paint to the bottom of the galvanised posts before use then at regular periods. The building and the installation must also be earthed.

■Colour : Black

Capacity kg	Code Unit	€ Ex. VAT	Packing Dealer
1	112 19 09		
5	112 19 11		



Advices

page 62

RUBBER SEALING CAP FOR POSTS

■Material: rubber

Shape	Dimensions mm	Colour	Code Unit	€ Ex. VAT	Packing Dealer
square	90 x 90	COSNET orange	115 23 07		
round	Ø 102		115 21 24		



CORROSION OF GLVANIZED STEEL

“Some products used or generated by farming (chemicals, manure, etc.) behave, on a wet soil, as a battery electrolysis. In contact with metal material, positive and negative charges migrate.”
 “An initially insulated floor can become conductive, the buried metallic parts degradation is accelerated by the electrolysis effect. This is the **electrochemical coupling**.” ⁽¹⁾

EARTHING

“Electrostatic discharges are due to an accumulation of a static electricity load on materials often caused by rubs, it is important to prevent this phenomenon thanks to a good earthing of the building” ⁽¹⁾ **as well as the tubular installation.**

ANIMAL WELFARE

Cows are 20 times more sensitive to parasite voltage and currents than humans. Their electrical resistance is estimated between 500 to 1.000 ohms, when humans are between 1.000 and 5.000 ohms.
 It is mainly due to their low internal resistance, for example between their legs and humid muzzle, in contact with metallic parts such as drinkers or yoke panels. With 4 feet touching often humid grounds, they feel more tensions. Parasite currents won't cause mastitis or any other illness but, as they result in stress and discomfort, they can weaken cows and make them more susceptible to health issues.

OUR ADVICES

It's generally advised to apply a bituminous coating such as blackson on galvanized posts base before fitting and then on a regular basis, it is a hard and non-durable process. In order to ease the process, **Cosnet has patented an integral PE single piece protection range called "ISOPROTEC"**. This new innovative system allows insulation and protection by avoiding corrosive products (chemicals, manure, maintenance liquids, etc.) to be in contact with the post. As a result, the galvanized posts corrosion is very limited and the durability of the product is well improved.



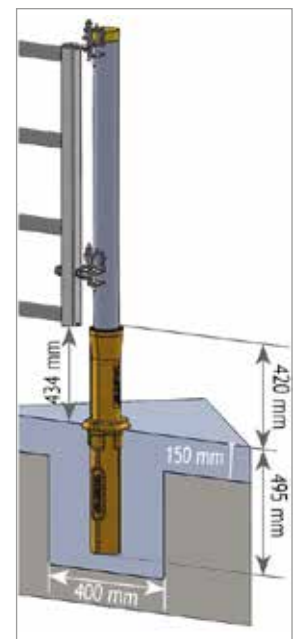
NEW "ISOPROTEC" RANGE



For $\varnothing 102\text{mm}$ posts

For $\square 90\text{mm}$ square posts

AVOIDS ELECTROCHEMICAL COUPLING



⁽¹⁾ Source GPSE (Permanent Group for Electrical Safety in Agricultural Environments) - https://www.gpse.fr/IMG/pdf/gpse_2019_courants_electriques_parasites_en_elevage-2.pdf

"ISOPROTEC" WATERTIGHT COVERS AND SLEEVES FOR POSTS

POST PROTECTION

"ISOPROTEC" PE full covers for stall posts meet a primary need in cattle housing structures.

The protective zinc deposited by hot galvanisation on the tubular support posts degrades more or less quickly over time.

This zinc, attacked by the acids present in the slurry and by the magnetic fields of live stock buildings (more or less well grounded), disappears over time resulting in rust which can destroy the post.

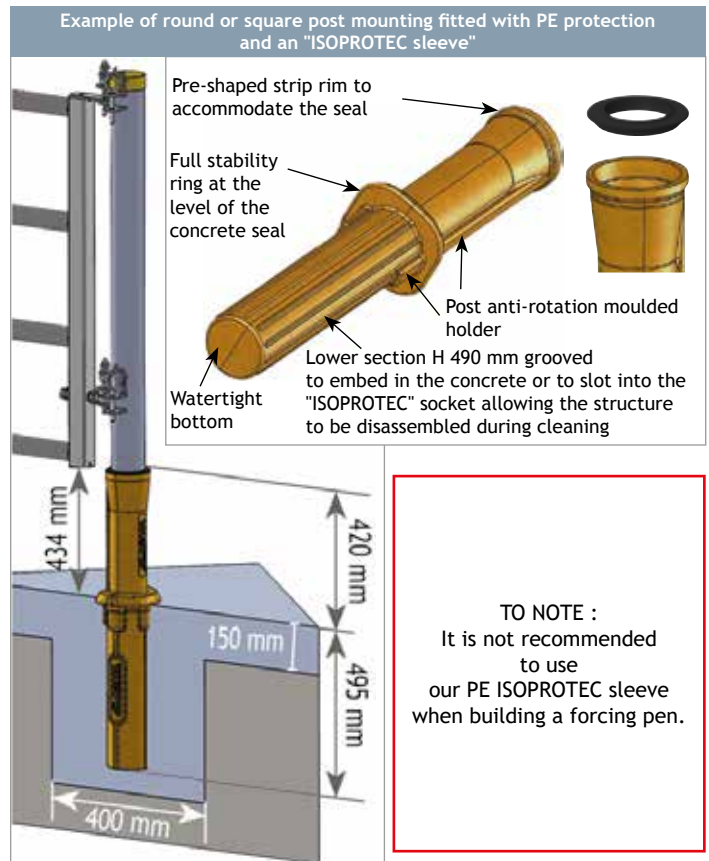
To date, there are no solutions on the market to achieve perfect sealing between the posts and the floor or the interlocking sleeves in which they are slotted. Infiltrations always end up corroding the posts over time.

"ISOPROTEC" PE full covers offer perfect sealing. They are made of one-piece rotomolded PE, which is much less brittle than injection, and has a flexible seal at the top. This protection can be slotted onto all round or square Cosnet posts to be embedded.

It offers the possibility either of sealing directly in the concrete or of being slotted in to a PE "ISOPROTEC" sleeve to be embedded in the ground to make them removable during cleaning.



Watertight PE cover.
Monoblock with seal.



TO NOTE :
It is not recommended to use our PE ISOPROTEC sleeve when building a forcing pen.

"ISOPROTEC" PE SLEEVE FOR POSTS



Watertight PE cover.
Monoblock.

"ISOPROTEC" PE sleeves are to be embedded in the concrete flush with the floor. They are designed, according to the model, to accommodate Ø 102 mm or square 90 x 90 mm posts fitted with an "ISOPROTEC" cover. They allow the posts to be easily removed from their location during cleaning. To be embedded in a slab poured by professional builders.

The round sleeve allows the posts to be positioned every 90°.

■ Material: polyethylene resin

■ Height : 495 mm

Use	Dimensions mm	Shape	Packaging	Code Unit	€ Ex. VAT	Packing Dealer
3 for round protection	Ø 140	Round	1	115 23 45		
	Ø 140	Round	52	115 23 45 PACK		
4 for square protection	Ø 135	Square	1	115 23 47		
	Ø 135	Square	53	115 23 47 PACK		

"ISOPROTEC" PE PROTECTION FOR POSTS

Patented "ISOPROTEC" round and square PE covers can be used in two ways: - they can be directly embedded in the concrete thus providing a watertight sleeve for the galvanised post. They can also be used with "ISOPROTEC" sleeves, thus making the assemblies removable during cleaning.

■ Material: polyethylene resin

■ Height to embed : 490 mm

■ Total height: 910 mm

Use	Dimensions mm	Shape	Packaging	Code Unit	€ Ex. VAT	Packing Dealer
1 for Ø 102 mm post	Ø 114	Round	1	115 23 41		
	Ø 114	Round	40	115 23 41 PACK		
2 for Ø 90 x 90 mm post	Ø 103	Square	1	115 23 43		
	Ø 103	Square	45	115 23 43 PACK		

COVER FOR "ISOPROTEC SLEEVE"

The special "ISOPROTEC" galvanised cover for sleeve protects the sleeve when the post is removed during cleaning.



■ Material: Galvanised steel

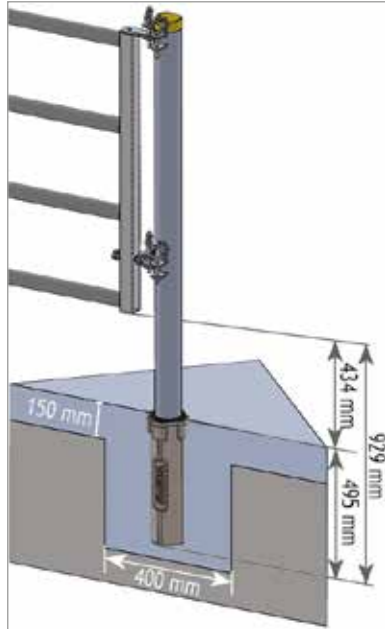
Dimensions mm	Shape	Code Unit	€ Ex. VAT	Packing Dealer
Ø 136	round	115 23 49		
Ø 130	square	115 23 51		



NEW POLYETHYLENE RESIN SLEEVES

Avoids electrostatic effect.

Advices page 62



SLEEVE FOR ROUND Ø 102 MM POST

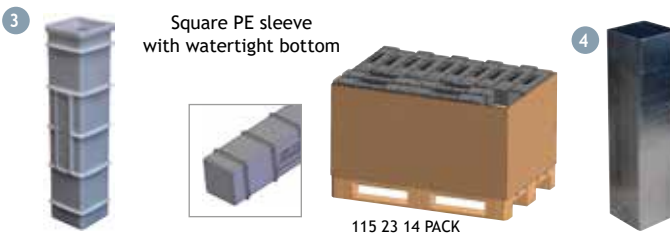


For round Ø 102 mm post to embed. Allows easy removal of post during cleaning. The PE model is delivered with a seal. To embed in a slab poured by professional builders.

■Fastening : Embedded in ground

Material	Ø mm	Height mm	Net weight kg	Packaging	Code Unit	€ Ex. VAT	Packing Dealer
PE - Polyethylene resin	Ø 126	495	-	1	115 21 44		
				66	115 21 44 PACK		
Galvanised steel	Ø 114	478	5	1	115 21 43		

SLEEVE FOR 90 X 90 MM SQUARE POST



For 90 x 90 mm post to embed. Allows easy removal of post during cleaning. To embed in a slab poured by professional builders.

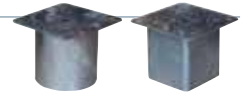
■Fastening : Embedded in ground

Material	Ø mm	Height mm	Net weight kg	Packaging	Code Unit	€ Ex. VAT	Packing Dealer
PE - Polyethylene resin	Ø 120	495	-	1	115 23 14		
				68	115 23 14 PACK		
Galvanised steel	Ø 100	398	4	1	115 23 11		

MULTI-PURPOSE COVER FOR SLEEVE

Slots on to the top of the steel and PE sleeves to close them during cleaning.

■Material: Galvanised steel



Shape	Dimensions mm	Net weight kg	Code Unit	€ Ex. VAT	Packing Dealer
round	Ø 102	1	115 21 27		
square	90 x 90	1.1	115 23 13		

SIDE PLATE FOR POST ON PLATE

Allows the post on plate to be directly mounted on the grating.

■Mounting plate: 200x200 mm ■Material: Galvanised steel

Thickness mm	Net weight kg	Code Unit	€ Ex. VAT	Packing Dealer
8	2.6	115 21 54		



CHAIN PITON

Piton rod. Length: 100 mm. Ø 14 mm.

Net weight kg	Code Unit	€ Ex. VAT	Packing Dealer
0.2	115 21 45		



DOUBLE FASTENING FLAT BRACKET

Suitable to fasten a barrier to another barrier. Only compatible with 4- and 5 -rail (Ø 60.3 mm) barriers.

■Flat bracket: 70x100 mm ■Material: Galvanised steel

Net weight kg	Code Unit	€ Ex. VAT	Packing Dealer
9	115 21 63		



LOCK RECEIVING SYSTEM FOR GATES 3, 4 AND 5 RAILS NEW



Self-locking device for connecting two gates using two plates secured by U-bolts.

A first plate is positioned to receive the locks of the first barrier, while the second plate is used to lock the post of the second barrier, thus forming a perfectly interlocked assembly. Eliminates the need for an intermediate post.

	Net weight kg	Code The pair	€ Ex. VAT	Packing Dealer
The pair	1,5	115 21 64		

FASTENING BRACKETS AND 1/2 BRACKETS FOR ROUND Ø 102 MM POSTS

Design reinforced through assembling fastening flat brackets on the 1/2 brackets (height 60 mm, thickness 8 mm).

Ø 102 MM DIRECTION BRACKET



Delivered with 2 Ø 12 x 50 bolts and 2 nuts. **Sold in pairs.**

■ Diameter: 102 mm ■ Material: Galvanised steel

Model	Packaging	Net weight kg	Code Pair	€ Ex. VAT	Packing Dealer
1 1-way	Pair	4	115 21 33		
2 2-ways at 90°	Pair	5.1	115 21 34		
3 face-to-face 2-ways	Pair	5.1	115 21 35		
4 3-ways	Pair	6	115 21 36		
5 4-ways	Pair	7	115 21 55		

Ø 102 MM BRACKET FOR TUBE FASTENING

Delivered with 2 Ø 12 x 50 bolts and 2 nuts. **Sold in pairs.**

■ Diameter: 102 mm ■ Material: Galvanised steel



Use	Packaging	Net weight kg	Code Pair	€ Ex. VAT	Packing Dealer
for Ø 60.3 mm tubes	Pair	4	115 21 65		
for Ø 76.1 mm tubes	Pair	5	115 21 67		

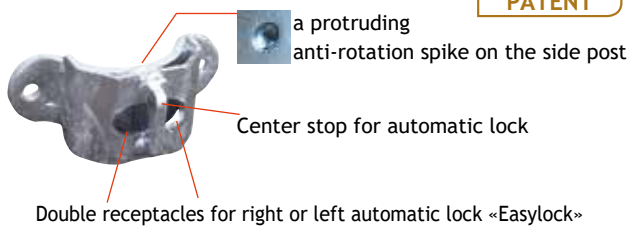
1/2 BRACKETS AND BRACKETS FOR BOLTS FOR ROUND Ø 102 MM POSTS

Design reinforced through assembling fastening flat brackets on the 1/2 brackets (height 60 mm, thickness 8 mm).

"EASYLOCK" 1/2 BRACKET FOR Ø 102 MM POST

1/2 flange «Easylock» Innovation

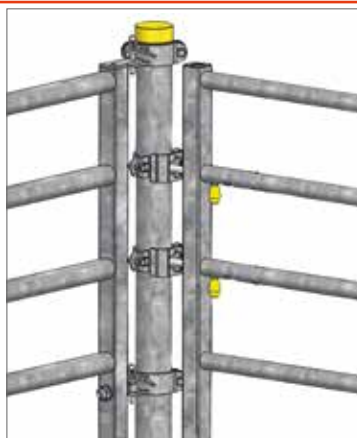
REGISTERED PATENT



This "patented" "EASYLOCK" round half-bracket for bolt support with central stop automatically supports locks on the left and right side. Through its shape, a simple push of a barrier fitted with spring locks automatically closes it.

Delivered with 2 Ø 12 x 50 bolts and 2 nuts.

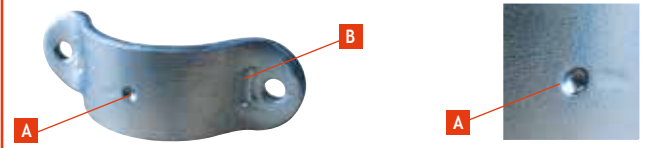
■ Diameter: 102 mm ■ Material: Galvanised steel



Packaging	Net weight kg	Code Unit	€ Ex. VAT	Packing Dealer
Unit	1.80	115 21 80		

Flanges innovation

All our flanges Ø 102 mm are designed with a stamp in order to obtain a protruding anti-rotation spike on the side post **A** with reinforcements during screw slot **B**.



Ø 102 MM 1/2 BRACKET



Delivered with 1 Ø 12 x 50 bolt and 1 nut.

■ Diameter: 102 mm ■ Material: Galvanised steel

Model	Packaging	Net weight kg	Code Unit	€ Ex. VAT	Packing Dealer
1	1	1	115 21 75		
6 bared	Pack of 40	33	PACK115 21 75		
	Pack of 360	297	SURPACK115 21 75		
7 1-way	Pack of 20	25.5	115 21 77 PACK		
	Pack of 120	153	SURPACK115 21 77		
8 1-way with plate centered	Pack of 20	25.5	115 21 76		
	Pack of 20	37	115 21 78 PACK		
9 2-ways at 90°	Pack of 120	222	SURPACK115 21 78		

Ø 102 MM STANDARD 1/2 BRACKET FOR BOLT SUPPORT



Delivered with 1 Ø 12 x 50 bolt and 1 nut.

Model	Packaging	Net weight kg	Code Unit	€ Ex. VAT	Packing Dealer
10 1 standard bolt support in the axis	1	0.90	115 21 79		
11 2 standard bolt supports at 90° in the axis	1	1.10	115 21 81		
12 1 standard bolt support in the axis and one-way at 90°	1	1.50	115 21 82		

Ø 102 MM BRACKET FOR BOLT SUPPORT

Delivered with 2 Ø 12 x 50 bolts and 2 nuts. **Sold in pairs.**

■ Diameter : 102 mm ■ Material : Galvanised steel



Model	Packaging	Net weight kg	Code Pair	€ Ex. VAT	Packing Dealer
13 1 standard bolt support on the side	Pair	3.8	115 21 29		
14 1 standard bolt support in the axis	Pair	3.3	115 21 59		



90 X 90 MM 1/2 SQUARE BRACKET



■ Square: 90 x 90 mm ■ Material: Galvanised steel
Delivered with 2 Ø 12 x 50 bolts and 2 nuts.

Model	Packaging	Net weight kg	Code Unit	€ Ex. VAT	Packing Dealer
1	bared	1	0.5	115 23 21	
	Pack of 40	16	115 23 21 PACK		
2	1-way	1	1.1	115 23 23	
	Pack of 20	21	115 23 23 PACK		
3	2-way	1	1.7	115 23 25	
	Pack of 20	33	115 23 25 PACK		
4	1 standard bolt support in the axis	1	0.5	115 23 27	

FASTENING



Model	Packaging	Net weight kg	Code Pack	€ Ex. VAT	Packing Dealer
5	single	Pair	2	115 21 01	
	Pack of 20	36.8	115 21 01 PACK		
	Pack of 120	220	115 21 01 SURPACK		
6	single extended	Pair	2.8	115 21 02	
7	double	Pair	2	115 21 03	
8	triple	Pair	6.9	115 21 04	
9	multi-purpose wall	Unit	0.65	115 21 00	
	Pack of 50	32.5	115 21 00 PACK		

SINGLE FASTENING FOR COLUMN

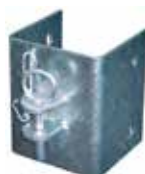
Net weight kg	Code Unit	€ Ex. VAT	Packing Dealer
1.8	115 21 39		



PAIR OF FASTENING FOR WALL END

To be fastened on the wall's end thanks to its U shape.
Sold in pairs.

Width mm	Net weight kg	Code Pair	€ Ex. VAT	Packing Dealer
154	9	115 21 50		
204	11	115 21 49		



"EASYLOCK" 1/2 BRACKET FOR 90 X 90 MM SQUARE POST

1/2 flange «Easylock» Innovation

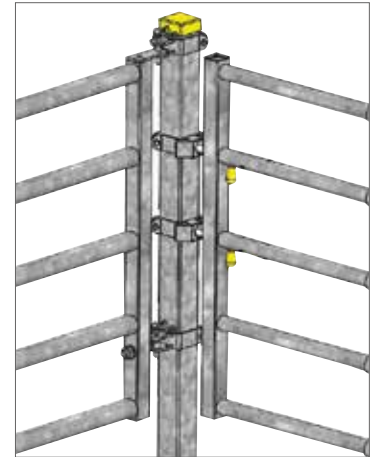


New

Center stop for automatic lock

Receptacle for right or left automatic lock «Easylock»

This "patented" "EASYLOCK" half-bracket enables self-locking of our front end fitted with our "EASYLOCK" double latch. Through its shape, a simple push of a barrier fitted with spring locks automatically closes it. Delivered with 2 Ø 10 x 50 mm bolts and 2 nuts.



■ Square: 90x90 mm
■ Material: Galvanised steel

Packaging	Net weight kg	Code Unit	€ Ex. VAT	Packing Dealer
Unit	0.7	115 23 29		

WALL PLATE "EASYLOCK"

«Easylock» Wall plate innovation



Central stop for automatic closure

Left/Right Easylock closure

This "patented" "EASYLOCK" wall plate for lock with central stop automatically supports locks on the left and right side. Through its shape, a simple push of a barrier fitted with spring locks automatically closes it.



Net weight kg	Code Unit	€ Ex. VAT	Packing Dealer
0.9	115 21 89		

PAIR OF STANDARD FRONT AND SIDE WALL PLATE FOR LOCK



Packaging	Net weight kg	Code Pair	€ Ex. VAT	Packing Dealer
Pair	1.5	115 21 31		

AUTOMATIC LATCH "EASYLOCK"

Ø 20 mm lock with anti-backing lock. Delivered with two square U-bolts. Designed to fasten barriers onto square 50 or 60 mm uprights.

Net weight kg	Code Unit	€ Ex. VAT	Packing Dealer
2.3	115 21 84		



ANIMAL GUARD



It is mounted between two posts with one-way brackets to prevent animals from passing through.

Length mm	Fastening centre distance mm	Net weight kg	Code Unit	€ Ex. VAT	Packing Dealer
410 to 570	600 to 760	4	115 21 85		
580 to 780	770 to 970	5	115 21 86		

WHEEL FOR BARRIER



260 x 85 mm wheel with reinforced rim. This adaptable wheel is compatible with 4-, 5-, and 6 -rail barriers (diameter: 42 mm and 60 mm).

Net weight kg	Code Unit	€ Ex. VAT	Packing Dealer	Axle: Ø 20 mm
9.3	115 21 87			

Ø 22 MM THREADED EYE BOLT

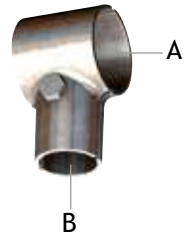
Pack features:
- 1 22 mm M threaded eye bolt
- 3 Ø 22 mm nuts.
- screws for five retaining nuts to lock barrier rails.



Diameter mm	Length mm	Net weight kg	Code Pack	€ Ex. VAT	Packing Dealer
22	220	0.9	115 50 01		

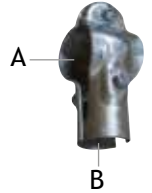
STAPLE CLAMP

Diameter mm A/B	Net weight kg	Code Unit	€ Ex. VAT	Packing Dealer
102 / 60	1.37	115 50 13		
42 / 27	0.9	115 50 03		
42 / 42	0.9	115 50 05		
48 / 42	0.9	115 50 09		
49 / 49	0.9	115 50 10		
60 / 42	0.9	115 50 07		
60 / 60	0.9	115 50 11		



T STAPLE CLAMP

Diameter mm	Net weight kg	Code Unit	€ Ex. VAT	Packing Dealer
60 / 42	0.9	115 50 16		



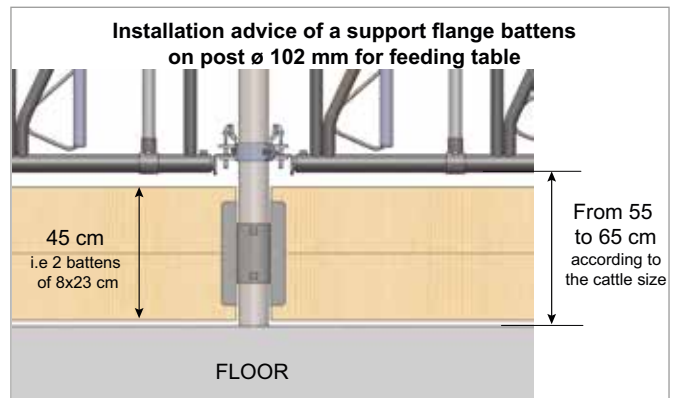
JOIST SUPPORT BRACKET




They are designed to be mounted on bare Ø 102 mm posts and accommodate joists (width 75 mm, height 225 mm = 8 x 23 cm). The joist support brackets for feed tables allow quick assembly and disassembly from installations on masonry.

■ Height: 225 mm ■ Width: 75 mm

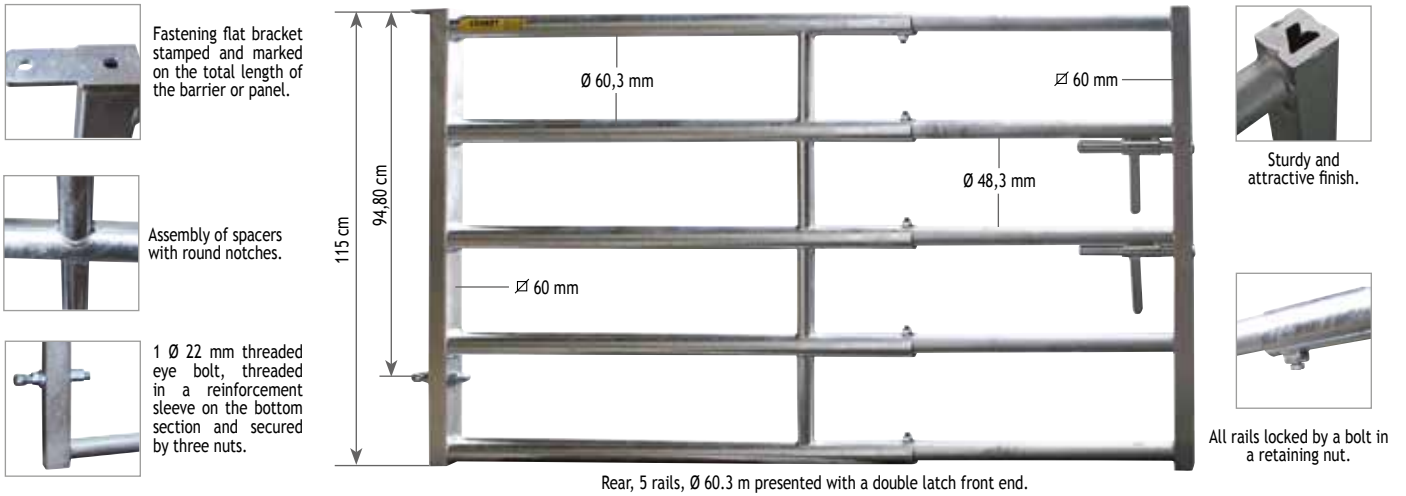
Model	Fastening	Net weight kg	Code Unit	€ Ex. VAT	Packing Dealer
1	wall	1.8	115 22 01		
	on a Ø 102 mm post	1.8	115 22 05		
2	face-to-face	5.6	115 22 02		
	2-way				
4	2-way at 90°	5.6	115 22 03		
5	3-way	7.3	115 22 04		



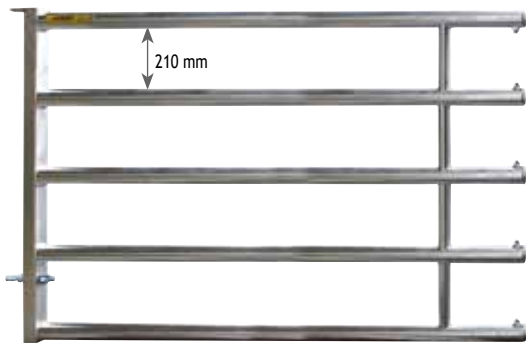
3-, 4- AND 5-RAILS (Ø 60.3 MM) BARN GATES AND PANELS

+ PRODUCT  **Length stamped.**
No risk of injury to animals.

Suitable for various types of installations, depending on the model 3, 4, or 5 rails.
Their design combines strength and modularity.
- Can be extended by one metre.
- Can be raised by turning them over.
- Standard fastening centre distance.



5-RAILS (Ø 60.3 MM) REAR PANELS



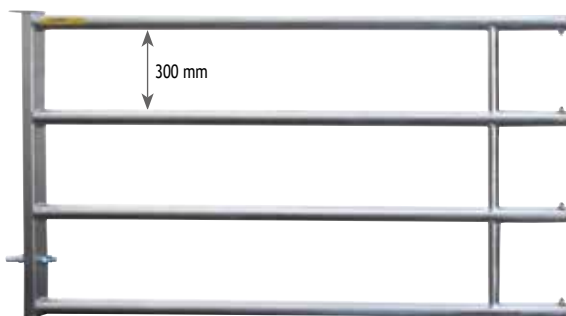
Designed to create partitions, pens, or stalls between groups of fattening cattle or suckler cows.

- Number of rails: 5 rails
- Ø: 60.3 mm
- Height: 1.15 m
- Fastening centre distance: 94.8 cm
- Space between rails: 210 mm
- Material: galvanised steel

Panel length mm	For sizes: Front and rear m	Net weight kg	Réf. Unit	U € HT	Colisage Distributeur
585	0.90 / 2	16	115 17 00		
865	1.2 / 2.3	25	115 17 02		
1585	2 / 3	37	115 17 01		
2585	3 / 4	56	115 17 03		
3585	4 / 5	75	115 17 05		
4585	5 / 6	102	115 17 07		
5585	6 / 7	125	115 17 09		

* Rear end length given at the fastening axis.

4-RAILS (Ø 60.3 MM) REAR PANELS



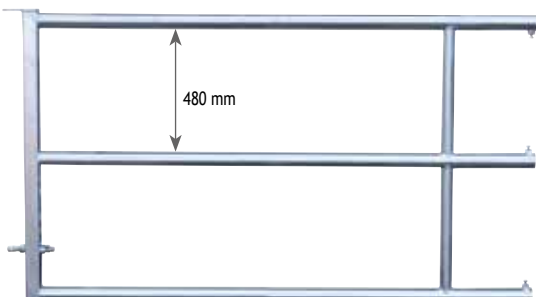
Designed to delineate spaces within dairy barns.

- Number of rails: 4 rails
- Ø: 60.3 mm
- Height: 1.15 m
- Fastening centre distance: 94.8 cm
- Space between rails: 300 mm
- Material: galvanised steel

Panel length mm	For sizes: Front and rear m	Net weight kg	Réf. Unit	U € HT	Colisage Distributeur
585	0.90 / 2	14	115 18 00		
865	1.2 / 2.3	22	115 18 02		
1585	2 / 3	34	115 18 01		
2585	3 / 4	46	115 18 03		
3585	4 / 5	65	115 18 05		
4585	5 / 6	81	115 18 07		
5585	6 / 7	97	115 18 08		

* Rear end length given at the fastening axis.

3-RAILS (Ø 60.3 MM) REAR PANELS



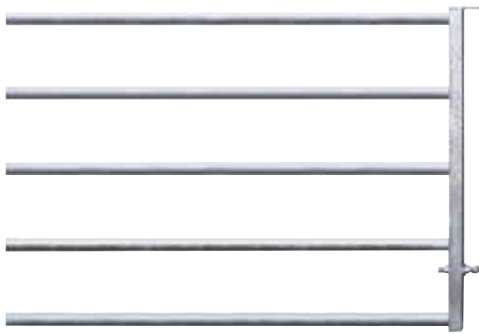
Highly appreciated for creating corridors, suitable for dairy cattle.

- Number of rails: 3 rails
- Diameter: 60.3 mm
- Height: 1.15 m
- Fastening centre distance: 94.8 cm
- Space between rails: 480 mm

Panel length*mm	For sizes: Front and rear m	Net weight kg	Code Unit	€ Ex. VAT	Packing Dealer
1585	2 / 3	29	115 16 01		
2585	3 / 4	41	115 16 03		
3585	4 / 5	54	115 16 05		
4585	5 / 6	68	115 16 07		

* Rear panel length given at the fastening axis.

FRONT ENDS FOR 3-, 4-, AND 5-RAILS (Ø 48.3 MM) PANEL



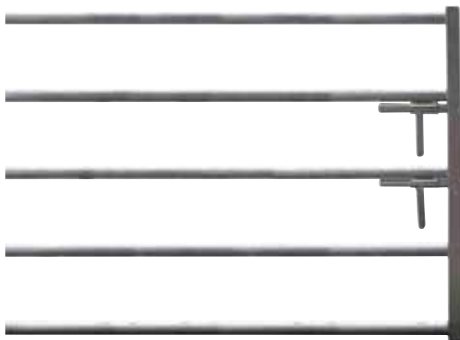
- Fastening flat bracket on the top section.
- 22 mm threaded eye bolt secured by three nuts, threaded in a reinforcement sleeve on the bottom section.

- Height: 1.15 m
- Diameter: 48.3 mm
- Fastening centre distance: 94.8 cm
- Material: Galvanised steel

Number of rails	Type	Length*mm	Net weight kg	Code Unit	€ Ex. VAT	Packing Dealer
5 rails	Standard	1,815	31.9	115 17 21		
	Extended	2,815	48	115 17 22		
4 rails	Standard	1,815	26.9	115 18 11		
	Extended	2,815	38.4	115 18 12		
3 rails	Standard	1,815	23	115 16 11		

* End length given at the fastening axis.

4- AND 5-RAILS (Ø 48.3 MM) FRONT ENDS WITH STANDARD DOUBLE LATCH



Double latch in the rail axis with anti-backing system. 2 Ø 33.7 mm latches with a finish on the narrowed ends.

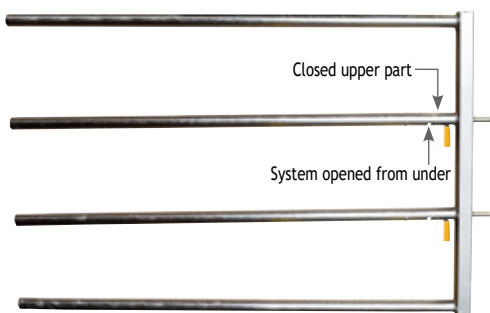
- Height: 1.15 m
- Diameter: 48.3 mm
- Material: Galvanised steel



Number of rails	Type	Length*mm	Net weight kg	Code Unit	€ Ex. VAT	Packing Dealer
5 rails	Standard	1,775	33	115 17 14		
	Extended	2,775	47	115 17 26		
4 rails	Standard	1,775	28.5	115 18 10		
	Extended	2,775	39	115 18 16		

* End length for closed locks given.

FRONT ENDS WITH EASYLOCK AUTOMATIC LATCH, 3, 4, AND 5 RAILS (Ø 48.3 MM)

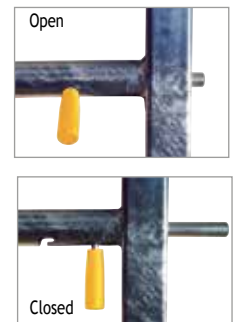


+PRODUCT Rails machined underneath, ensuring that the mechanism is not soiled.

Ends fitted with one or two Ø 20 mm automatic latch depending on the model. Latch directly guided in the rails avoiding all risk of snagging collars and injury to the animals. The EASYLOCK LATCH can be locked in the closed position, to the right and the left. Its spring system is designed to provide a certain resistance when operated, to prevent it from being opened by the animals.

These ends ensure that the barrier automatically opens and closes in an ultra-quick manner.

- Height : 1.15 m
- Diameter : 48.3 mm
- Material : Galvanised steel

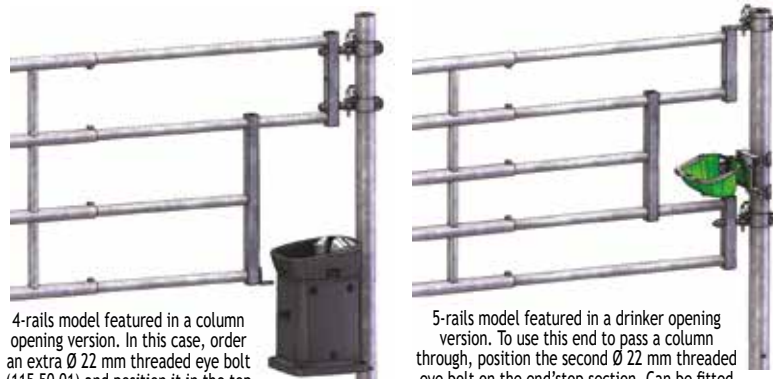


Number of rails	Number of latch	Length*mm	Net weight kg	Code Unit	€ Ex. VAT	Packing Dealer
5 rails	2	1,775	35	115 17 27		
4 rails	2	1,775	30	115 18 27		
3 rails	1	1,775	22.5	115 16 27		

* End length for closed locks given.

These ends can be used in all configurations. They are ideal and safe when used with patented Easylock latch supports.

4- AND 5-RAILS (Ø 48.3 MM) FRONT ENDS WITH COMBINED DRINKER / COLUMN OPENING



4-rails model featured in a column opening version. In this case, order an extra Ø 22 mm threaded eye bolt (115 50 01) and position it in the top section.

5-rails model featured in a drinker opening version. To use this end to pass a column through, position the second Ø 22 mm threaded eye bolt on the end/stop section. Can be fitted with a third eye bolt as an option.

2 fastening points for better support; 2 sliding bottom rails pass the drinker or column through. Column opening fastening centre distance: 260 mm. Drinker opening fastening centre distance: 948 mm.

- Diameter: 48.3 mm
- Material: Galvanised steel

Number of rails	Length* mm	Net weight kg	Code Unit	€ Ex. VAT	Packing Dealer
5 rails	2,100	39	115 17 16		
4 rails	2,053	32.5	115 18 15		

* End length given at the fastening axis.

Ø 22 MM THREADED EYE BOLT

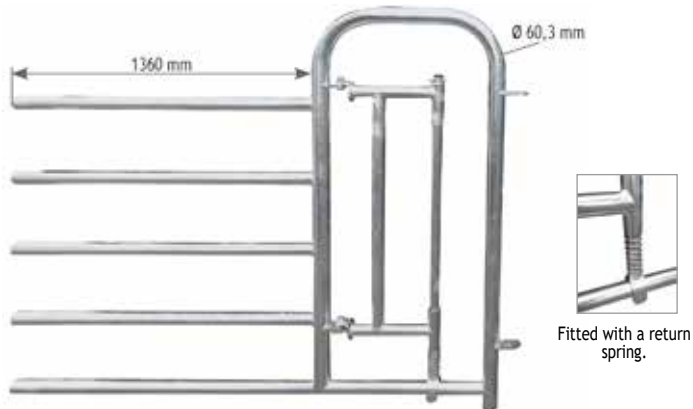
Pack features:

- 1 22 mm M threaded eye bolt
- 3 Ø 22 mm nuts.
- screws for five retaining nuts to lock barrier rails.



Diameter mm	Length mm	Net weight kg	Code Pack	€ Ex. VAT	Packing Dealer
22	220	0.9	115 50 01		

FRONT ENDS WITH MAN PASSAGE GATE AND 4- AND 5 -RAILS (Ø 48.3 MM) H.1.15 M



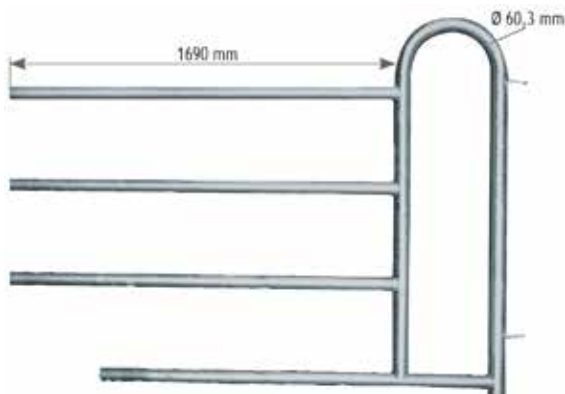
Fitted with this end, minimum panel dimensions must be increased by 735 mm.

- Rail diameter: 48.3 mm
- Width of opening: 560 mm
- Height of opening: 1,370 mm
- Fastening centre distance: 948 mm
- Height of rear part: 1.15 m
- Material: Galvanised steel

Number of rails	Length*mm	Net weight kg	Code Unit	€ Ex. VAT	Packing Dealer
5 rails	2,100	45	115 17 20		
4 rails	2,100	43	115 18 20		

*Total length given at the fastening axis.

4-RAILS (Ø 48.3 MM) FRONT END WITH MAN PASSAGE OPENING H. 1.15 M



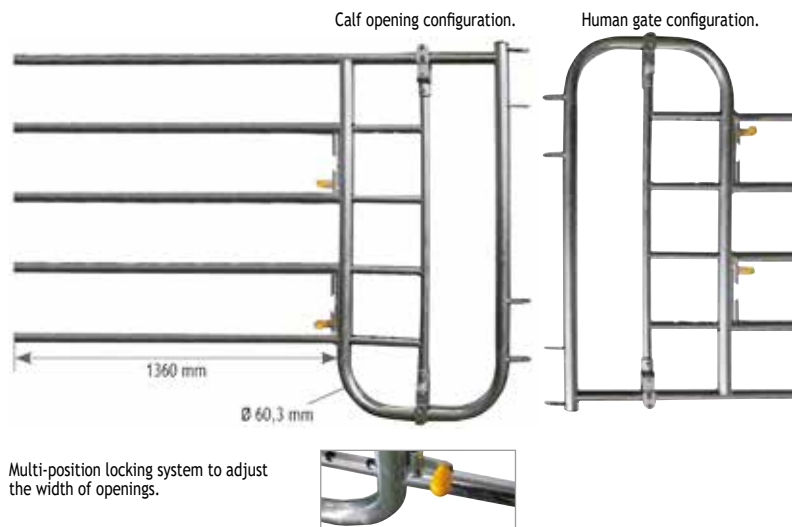
Fitted with this end, minimum panel dimensions must be increased by 475 mm.

- Rail diameter: 48.3 mm
- Width of opening: 300 mm
- Height of opening: 1,285 mm
- Fastening centre distance: 948 mm
- Height of rear part: 1.15 m
- Material: Galvanised steel

Number of rails	Length mm	Net weight kg	Code Unit	€ Ex. VAT	Packing Dealer
4 rails	2,165	33	115 18 13		

*Total length given at the fastening axis.

4- AND 5-RAILS (Ø 48.3 MM) FRONT ENDS WITH COMBINED MAN/CALF PASSAGE GATE H. 1.15 M



Multi-purpose.
Width of opening adjustable.

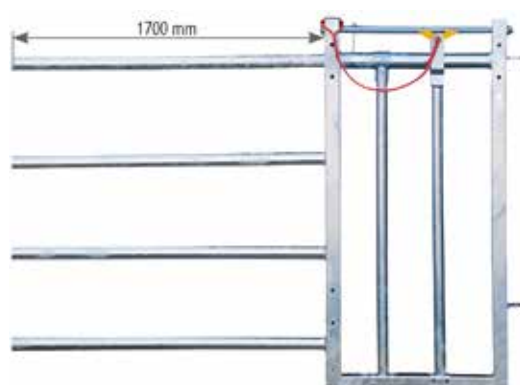
Fitted with this end, minimum panel dimensions must be increased by 720 mm. Two pairs of factory-fitted top or bottom fastening, to be used according to use as human or calf opening.

- Rail diameter: 48.3 mm
- Width of opening: 515 mm
- Height of opening: 1,280 mm
- Fastening centre distance: 948 mm
- Height of rear part: 1.15 m
- Material: Galvanised steel

Number of rails	Length mm	Net weight kg	Code Unit	€ Ex. VAT	Packing Dealer
5 rails	2,100	61	115 17 18		
4 rails	2,100	46	115 18 14		

*Total length given at the fastening axis.

4- AND 5-RAIL (Ø 48.3 MM) FRONT END WITH HEADLOCK H. 1.15 M



Fitted with this end, minimum panel dimensions must be increased by 735 mm. This end has a headlock opening with adjustable neck. It can be used to set up a caesarean stall.

- Rail diameter: 48.3 mm
- Fastening centre distance: 948 mm
- Height of rear part: 1.15 m
- Total height: 1.45 m
- Material: Galvanised steel

Number of rails	Length mm	Net weight kg	Code Unit	€ Ex. VAT	Packing Dealer
4 rails	2,435	50	112 07 36		
5 rails	2,435	54	112 07 37		

*Total length given at the fastening axis.

4- AND 5-RAIL (Ø 48.3 MM) FRONT ENDS WITH ANIMALS PASSAGE OPENING H. 1.15 M



Equipped with this front end, the overall minimum length must be increased by 1100 mm.

Highly appreciated for uses around dairy robots. Mechanically welded frame with 80 mm square uprights crossing an upper 100 mm square beam attached to the Ø 48.3 mm tube rails reinforced by two armpits.

Multi-purpose, it can be fitted with various options :

- one or two extendable anti-backing gates,
- one finger gate for animals,
- one automatic latch 5-rails gate.

- Height of opening: 1,443 mm
- Width of opening: 930 mm
- Fastening centre distance: 948 mm
- Height of rear part: 1.15 m
- Material: Galvanised steel

Number of rails	Length mm	Net weight kg	Code Unit	€ Ex. VAT	Packing Dealer
5 rails	2,840	70	115 17 29		
4 rails	2,840	66	115 18 18		

*Total length given at the fastening axis.

Examples of animal passages configurations

See different equipments

page 66



- Features:
- 1 front end with opening for animals (4-rails 1151818)
 - 1 rear end (4-rails 1151802)
 - 1 finger gate (1151941)



- Features:
- 1 front end with opening for animals (4-rails 1151818)
 - 1 rear end (4-rails 1151802)
 - 1 extendable door (5-rails 1151919)



- Features:
- 1 front end with opening for animals (4-rails 1151818)
 - 1 rear end (4-rails 1151802)
 - 2 extendable anti-backing gates (1151917) mounted western style



- Features:
- 1 front end with opening for animals (4-rails 1151818)
 - 1 rear end (4-rails 1151802)
 - 2 extendable anti-backing gates (1151917) mounted superimposed

220 L CALF FEEDER TO HANG ON A FENCE



Adjustable feed flow rate hatch.

Ideal for feeding young cattle in stalls.

- Tank with hooks to fasten on Ø 60,3 mm stall fences with 4 or 5 rails.
- Flow rate is adjusted via a sliding hatch which can be fully closed.
- Flap cover.
- Galvanized structure delivered as a kit, quick assembly with screws.

■ Material: Galvanised steel



Length m	Width m	Height m	Capacity l	Net weight kg	Code Unit	€ Ex. VAT	Packing Dealer
1,23	0,55	0,65	220	57	112 05 17		

220 L CALF HAY RACK TO HANG ON A FENCE



Calf hay rack which can be used indoors and outdoors thanks to its cover which protects the hay from the rain.

Can be hooked on 4 or 5-rail stall barriers (Ø 60.3 mm) in calf foddering areas.

■ Material: Galvanised steel

Length m	Width m	Height m	Capacity l	Net weight kg	Code Unit	€ Ex. VAT	Packing Dealer
1,23	0,55	0,65	220	55	112 05 19		



3-RAILS EXTENDABLE GATES AND PANELS Ø60,3MM H.0,79M FOR MANURE ROBOT

Designed for dairy barns, adapted for manure robots.

- Hot-dip galvanized after manufacturing
- Front and rear uprights square 60mm

Rear part :

- 3 horizontal 60,3mm tubes including bolt and nut cage on each tube,
- vertical tubes ø48,3mm U-shaped welded,
- Quick mounting thanks to the upper flat bracket and down eyebolt.

Front part : 3 horizontal tubes ø48,3mm.

Available in 2 versions :

- panel with two flat bracket to mount on the 56,1mm upright,
- 1 Easylock automatic latch ø20mm, integrated in the middle tube.

Various mounting accessories to adapt to all configurations.



Designed for dairy barns, adapted for manure robots.



Flat bracket on upper part, stamp with gate / panel total length.

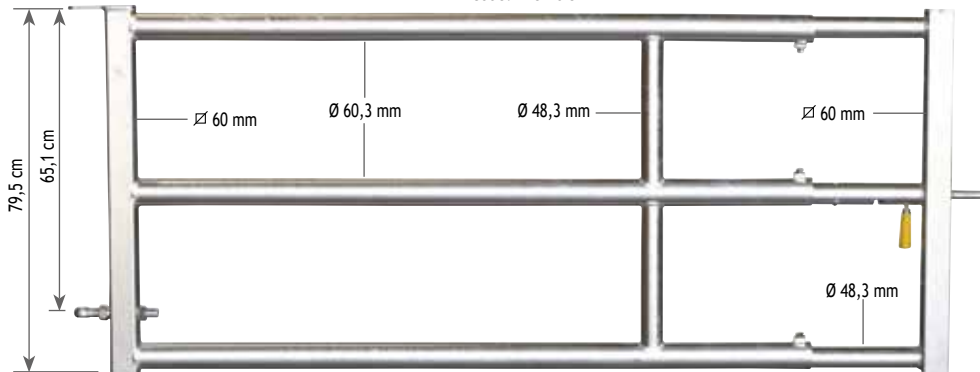


Vertical tube U-shape welded



Eyebolt ø22mm, fitted in bushing and secured by 3 nuts.

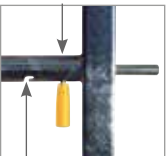
3-RAIL EASYLOCK GATE
code. 115 16 51



Robust product finish



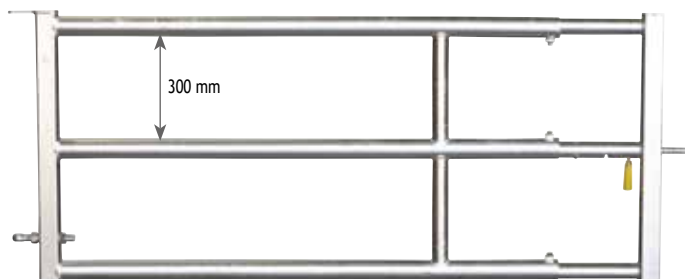
Secured by bolt and nut cage on each tube.



Plain upper tube part for durability

Handle attached from the bottom

3-RAILS EXTENDABLE GATE Ø60,3MM H.0,79M FOR MANURE ROBOT

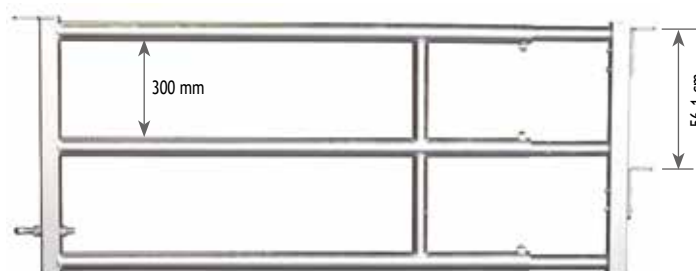


Easylock automatic latch to fit in the middle tube front part, pre-cut. The design avoids any risk of injury or collar snagging.

- Material : Galvanized steel
- Diameter : 42.4/34 mm
- Number of rails : 3 rails
- Number of lockers : 1
- Height : 0.79 m

Length m	Number of spacers	Net weight kg	Code Unit	€ Ex. VAT	Packing Dealer
2 to 3	1	43	115 16 51		
3 to 4	1	54	115 16 53		
4 to 5	2	66	115 16 55		

3-RAILS EXTENDABLE PANEL Ø60,3MM H.0,79M FOR MANURE ROBOT



Delivered with 2 flat brackets to bolt on pre-drilled front part 56,1 cm. Factory-fitted with two fastening flat brackets to screw on the front upright of the panel at a fastening centre distance of 94.8 cm.

- Material : Galvanised steel
- Height : 0.79 m
- Number of rails : 3 rails
- Diameter : 60.3/48.3 mm

Length m	Number of spacers	Net weight kg	Code Unit	€ Ex. VAT	Packing Dealer
2 to 3	1	43	115 16 61		
3 to 4	1	54	115 16 63		
4 to 5	2	66	115 16 65		

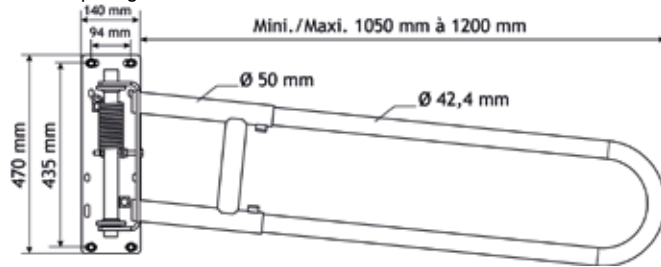
EXTENDABLE 2-RAILS ANTI-BACKING GATE FOR ANIMAL OPENING OR CORRIDOR

Gate features:

- 1 mounting plate with two U-bolts for 80 mm squares.
- 1 2-rail gate with extendable front section which can be cut to length.
- Spring-assisted return.
- 1 noise damper pad to fasten on the support using self-taping screws.

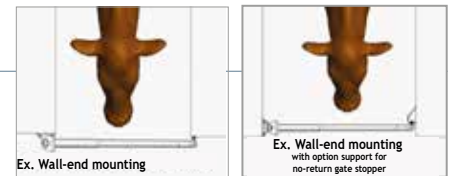
Multi-purpose, it can be used:

- alone, in long version.
- by two superposed in long version.
- facing each other in a "saloon" style by adapting the front end to the desired length. It can be fastened on a wall, on sheeted panels, or on the animal opening's front end thanks to its U-bolts.



■ Material: Galvanised steel ■ Model: Extendable

Length m	Clear length m	Net weight kg	Code Unit	€ Ex. VAT	Packing Dealer
0.50 / 1	1.107	18	115 19 18		



Multi-purpose. Various configurations possible.

SUPPORT FOR NON-RETURN GATE STOPPER

Features:

- 1 mounting plate
 - 2 U-bolts Ø60mm to mount on gate or panel
- Possible mounting on wall, gate or panel.
Delivered without rubber bumper, already delivered with no-return gate.

Code Unit	€ Ex. VAT	Packing Dealer	Material
115 19 16			Galvanised steel

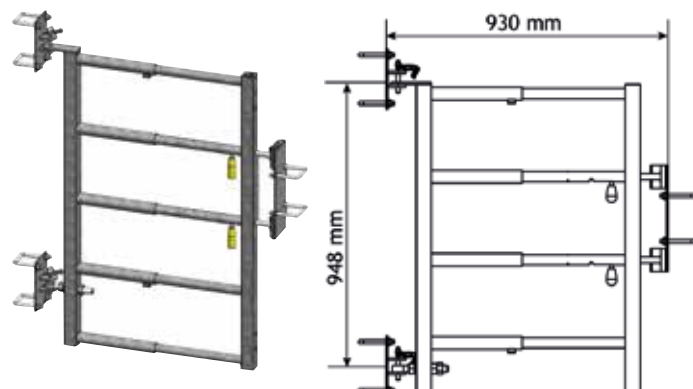
ETRIER POUR POSE DE PORTILLON ANTI-RETOUR SUR POTEAU CARRÉ

Etrier pour pose du portillon anti-retour 2 lisses sur poteau de carré 90x90 mm. Vendu en sachet de 2 étriers.

■ Matière : Zingué ■ Ø : 12 mm

Carré mm	Entraxe mm	Type de pose	Net weight kg	Code Le sachet	€ Ex. VAT	Packing Dealer
90	104	sur poteau carré 90x90 mm	1	115 19 51		

EXTENDABLE 5-RAIL GATE WITH EASYLOCK LATCH FOR ANIMALS



+PRODUCT **2 automatic locks. Easylock lock support.**

★★★★★
PATENTED

Technical characteristics:

Rear end:

- 5 Ø 42.4 mm rails on two rails by cage bolts and nuts.
- 1 square 50 mm upright.
- 1 fastening flat bracket on the top section.
- 1 adjustment eye bolt on the bottom section.
- 2 fastening brackets with square 80 x 80 mm U-bolts

Front end:

- 5 Ø 34 mm rails.
- 1 square 50 mm upright.
- 1 double bracket accommodating an Easylock latch with square 80 x 80 mm U-bolts
- 2 EASYLOCK Ø 20 mm automatic latches. Latches guided directly into the rails, avoiding any risk of snagging collars or injury to the animals from add-on parts. It has a locking system in closed position, right or left, thanks to its patented EASYLOCK LATCH SUPPORT. Its spring system is designed to provide a certain resistance when operated, to prevent it from being opened by the animals.

■ Material: Galvanised steel ■ Height: 1150 mm
■ Model: Extendable ■ Fastening centre distance: 948 mm

Number of rails	Length m	Net weight kg	Code Unit	€ Ex. VAT	Packing Dealer
5 rails	0.93	28.5	115 19 19		

FINGER GATE FOR ANIMAL OPENING FRONT END

+PRODUCT **Modular and silent.**

Designed to be mounted on the upper square 100 mm beam of an animal opening.

Kit features:

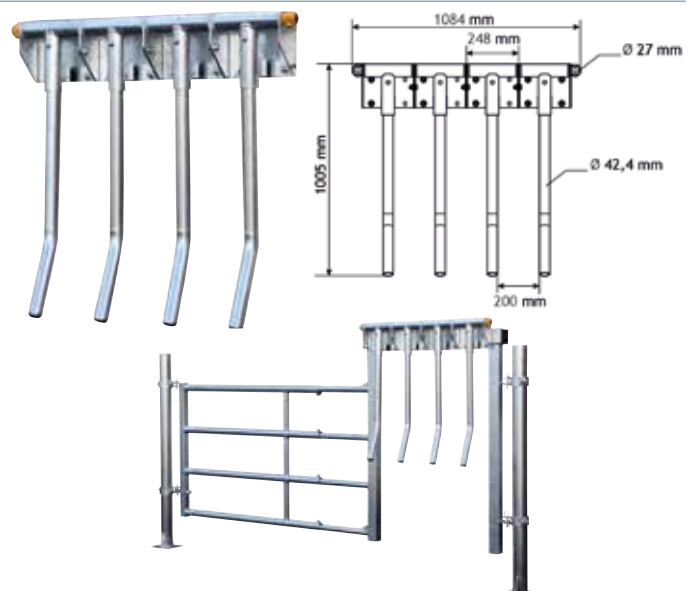
- 4 finger-shaped mechanical tubes called "Finger Gate", length: 945 mm. Ø 48.3 mm, inserted in a Ø 60.3 mm sleeve - thickness 5 mm - height 180 mm,
- 1 square 100 mm U-bolt supplied for each finger gate to fasten on animal opening beam, assembly between two finger gate bodies by screw and nut supplied.
- 1 additional 100 mm U-bolt to finalise the finger gate line.
- 1 Ø 27 mm pin engaging with the four finger gates.
- 2 nylon Ø 27 mm pin retainers.
- 4 noise damping pads.

For standard height mounting on a post, allow for clearance of 434 mm between the floor and the barrier, i.e. a floor/finger end distance of 1,033 mm. Height can be adjusted, in this case, adjust according to the size of the animals using the opening.

■ Overall width: 1,084 mm ■ Material: Galvanised steel

■ Overall height: 1,005 mm

Net weight kg	Code Kit	€ Ex. VAT	Packing Dealer
46	115 19 41		



FINGER GATES



Finger gates were designed to organise the movement of dairy cows without them being to turn back. They are commonly used at the entrance and exit of milking parlours or milking machines.

For custom structures:

- allow 248 mm of space per finger gate,
- allow a maximum of 205 mm between the finger gate and the end of the structure,
- ideally, mount the structure at a height allowing a maximum clearance of 1,035 mm under the gate for dairy cows, high mounting can optimise anti-backing according to the morphology and age of the animals.

FINGER GATE

Designed to be mounted on a square 100 mm beam.

Features:

- 1 finger-shaped mechanical tube, length: 945 mm. Ø 48.3 mm, inserted in a sleeve, Ø 60.3 mm, thickness 5 mm, height 180 mm. Finger gate ends narrowed to avoid injury. - 1 square 100 mm U-bolt for fastening on a square 100 mm beam.
- screw and nut to assemble two parts of the finger gate.
- 1 noise damping pad.

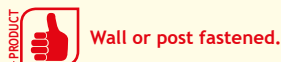


- Material: Galvanised steel
- Body diameter: 60.3 mm
- Finger diameter: 48.3 mm



Net weight kg	Code Unit	€ Ex. VAT	Packing Dealer
10	115 19 35		

MOUNTING AND FINISHING KIT FOR FINGER GATE



Features:

- 2 galvanised corner brackets with a pair of brackets and screws.
 - 5 square 100 mm U-bolts supplied with screws and nuts.
 - 2 Ø 27 mm pin retainers.
 - 2 100 x 100 mm plastic caps.
- Kit designed to mount a finger gate on a square 100 x 100 mm beam. The kit offers the possibility to fasten the structure either :
- on a Ø 102 mm post,
 - directly on the wall by positioning the corner bracket either above or below the 100 x 100 mm beam.
 - combined with one side on the post and one side on the wall .



Net weight kg	Code Kit	€ Ex. VAT	Packing Dealer
11	115 19 39		

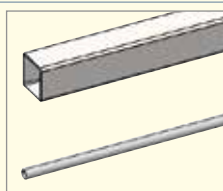
BEAM AND PIN FOR FINGER GATE MOUNTING

Features:

- 1 square 100 x 100 mm beam
- Length 6 m. - 1 Ø 27 mm pin.

These tubes must be cut to the desired structure length.

- Material: Galvanised steel



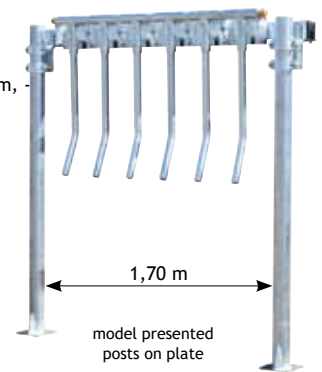
Length m	Net weight kg	Code Unit	€ Ex. VAT	Packing Dealer
6	85	115 19 37		



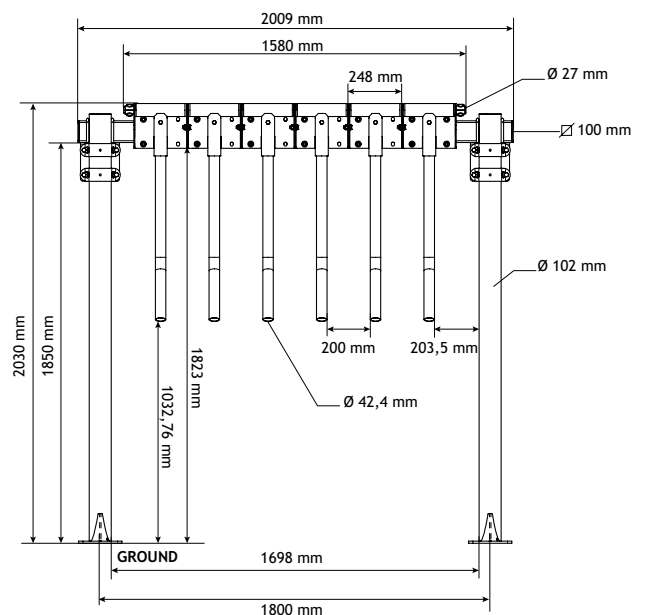
FINGER GATE UNIT WITH Ø 102 MM POST ON A MOUNTING PLATE

Features:

- 6 finger gates,
 - 1 mounting and finishing kit,
 - 1 square 100 x 100 mm beam - length 2 m, -
 - 1 Ø 27 mm pin - length 2 m,
 - 2 Ø 102 mm reinforced bared posts on plate - H. 1.98 m.
- The finger gate unit offers a width of 1.70 m and allows two dairy cows to simultaneously enter.



- Material: Galvanised steel
- Height: 2.03 m
- Height opening: 1.83 m
- Overall width: 2 m
- Width opening: 1.70 m
- Fastening centre distance: 1.80 m

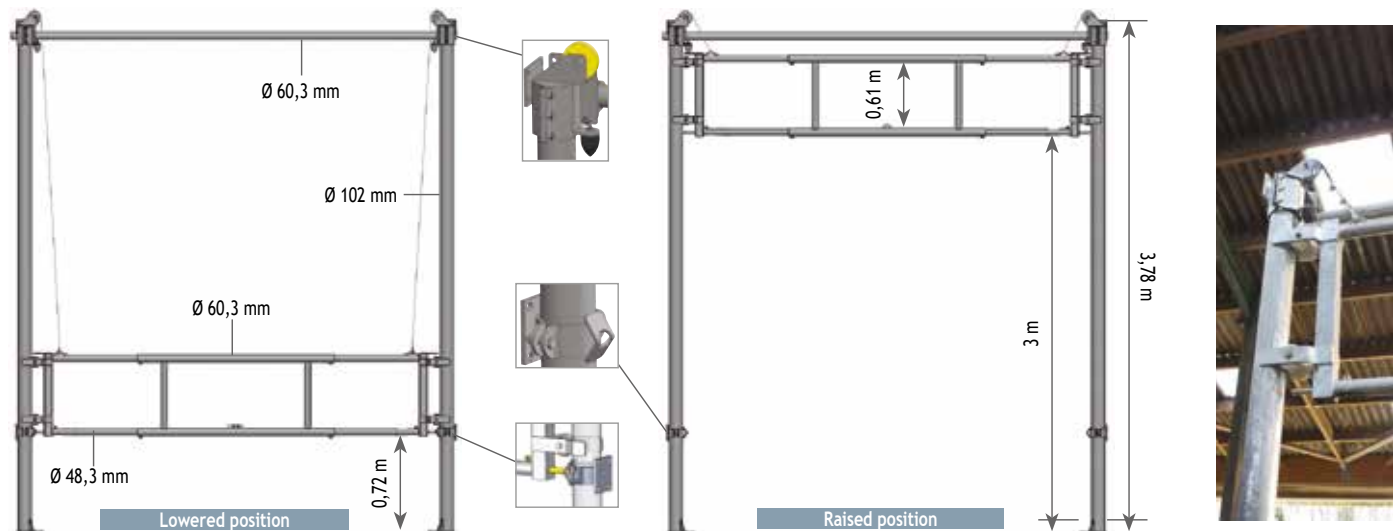


Model of posts	Net weight kg	Code Unit	€ Ex. VAT	Packing Dealer
On plate	159	115 19 33		
To embed	155	115 19 31		

LIFTING PARTITION



LIFTING PARTITION FOR CUBICLE CORRIDORS



LIVESTOCK BUILDING FIT-OUT FOR CATTLE



Effortless handling.
Ideal to close an opening between two cubicle islets.

These lifting partitions are designed to make work easier for farmers. Thanks to their system with counterweight guided in the Ø 102 mm support posts, they are very flexible to use and are effortless to handle.

The partition includes:

- 1 extendable 2-rail panel fitted with four nylon wheels with guiding and two automatic latches
- 2 posts on plate, Ø 102 mm and total height 3.78 m,
- 1 Ø 60.3 mm spacer bar at the top section length adjustable,
- 1 cable to trigger the two automatic latches,
- 2 stainless steel Ø 98 mm pulleys on ball bearings for effortless use,
- 2 pulley upper support brackets, fitted with a wall fastening mounting plate,
- 1 handling rope,
- 2 stainless steel counterweights linked to lifting cables fastened onto the 2-rail barrier, guided in Ø 102 mm posts,
- 2 side brackets with bolt support fitted with a wall fastening mounting plate.

■ Diameter: 60.3 mm

■ Material: galvanised steel

Length m	Overall width m	Net weight kg (hors contre poids)	Code Unit	€ Ex. VAT	Packing Dealer
2.30 / 3.40	min 2.28 / max 3.54	170	115 03 81		
3.40 / 4.50	min 3.28 / max 4.54	190	115 03 83		

For safety, it is important to often check cable tightness and wear, at least two or three times a year.



STALL HAY RACK ON BARRIER

+PRODUCT **Space optimisation.**

Suspended hay racks allow two pens in the livestock building to be simultaneously fed.
Suitable for round or medium-density bales.

1 HAY RACK FOR BARRED STALLS

Only designed in tubes.
Hay rack design to be fastened on fixed 4- or 5-rail (Ø 60.3 mm) barriers

■ Type: Ø 25 mm bars ■ Material: Galvanised steel

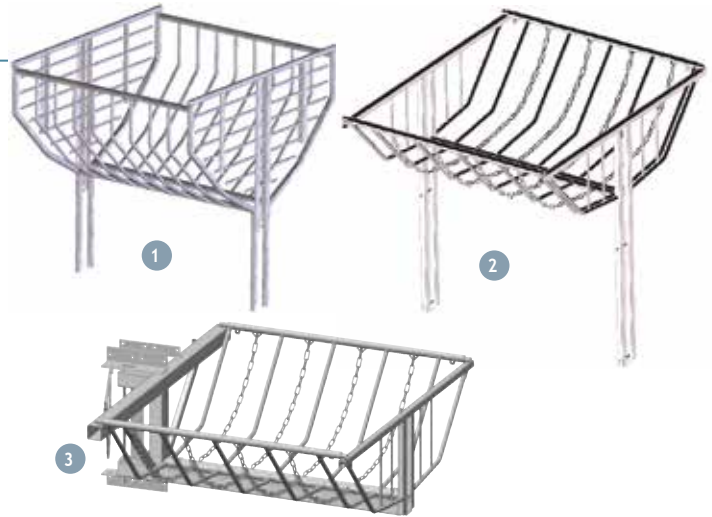
Length m	Width m	Height m	Net weight kg	Code Unit	€ Ex. VAT	Packing Dealer
1.53	1.69	1.63	92	112 11 15		

2 HAY RACK WITH BARS & CHAIN

Designed with a combination of bars and chain.
Hay rack design to be fastened on fixed 4- or 5-rail (Ø 60.3 mm) barriers

■ Type: Ø 27 mm bars and Ø 8 mm 52 x 16 chains ■ Material: Galvanised steel

Length m	Width m	Height m	Net weight kg	Code Unit	€ Ex. VAT	Packing Dealer
1.58	1.92	1.74	76	112 11 16		



3 PIVOTING HAY RACK WITH BARS & CHAIN

Designed with a combination of bars and chain.
Hay rack designed to be fastened onto a framework post.

+PRODUCT **Pivoting**

■ Type: Ø 27 mm bars and Ø 8 mm 52 x 16 chains ■ Material: Galvanised steel

Length m	Width m	Height m	Net weight kg	Code Unit	€ Ex. VAT	Packing Dealer
1.83	1.92	0.640	113	112 11 14		

CAESAREAN AND INSEMINATION STALL



+PRODUCT **Safe and economical. Folding.**

Mounted against a wall, it creates a caesarean or insemination space with can be folded away after use.

Features:

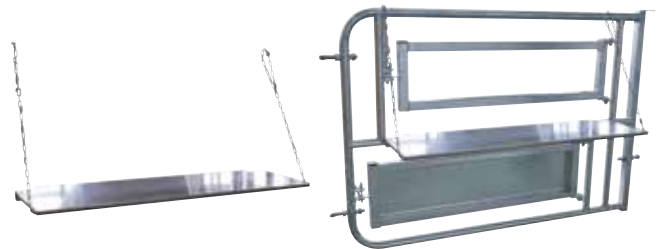
- 1 double gate panel (length 1.90 m height 1.30 m) with rear fastening chain,
- 1 caesarean and insemination adjustable neck headlock.

Options: Stainless steel matrix support shelf '112 07 32), wall spreader (112 07 39), and threaded eye bolt (115 50 01).

Net weight kg	Code Unit	€ Ex. VAT	Packing Dealer
101	112 07 61		



STAINLESS STEEL SHELF FOR STALL



"Matrix" stainless steel support shelf with fastening chain fastens on the double gate panel for caesarean stalls.

Net weight kg	Code Unit	€ Ex. VAT	Packing Dealer
12	112 07 32		

WALL SPACER FOR STALL

This U-shaped spreader is designed to be fastened to the wall. It places the animal as close as possible to the caesarean side panel. It is designed to accommodate the stall's rear chain to limit the animal's movements during the procedure.

Net weight kg	Code Unit	€ Ex. VAT	Packing Dealer
7	112 07 39		



DOUBLE GATE STALL PANEL

Ideal to create a caesarean and insemination stall coupled with a 4- or 5-rail (Ø 48,3 mm) headlock front end.

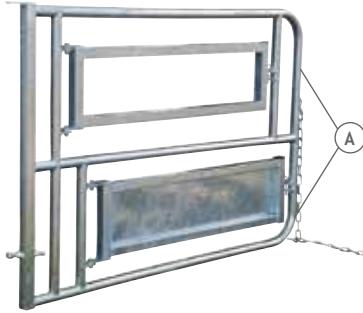
Delivered with: rear fastening chain.

Option :

- Ø 22 mm threaded eye bolt. Can accommodate two extra Ø 22 mm threaded eye bolts in the front section. (A)

■ Fastening centre distance: 94.8 cm mm

■ Material: galvanised steel



Length m	Height m	Net weight kg	Code Unit	€ Ex. VAT	Packing Dealer
1.90	1.30	59	112 07 33		

STALL HEADLOCK PANEL



Ideal to create a caesarean and insemination stall. Adjustable neck panel with double embedded tabs.

Length m	Height m	Net weight kg	Code Unit	€ Ex. VAT	Packing Dealer
0.82	1.42	34	112 07 35		

5-RAILS BLOCKING PANEL UNIT



Example of the installation of a complete 5-rails locking panel, length 2.7 to 4 m. Presented on two posts with brackets, not supplied.

Complete blocking panel featuring:

- 1 5-rails headlock front end (112 07 37),
- 1 front end with 5-rail human or calf opening (115 17 18)
- 1 extendable 5-rails unit (115 17 31),
- 1 double gate panel (112 07 33),
- 1 wall spreader (112 07 39),
- 1 pair of single brackets (1115 21 01).

Allow for at least 500 mm of overlapping with the front ends.

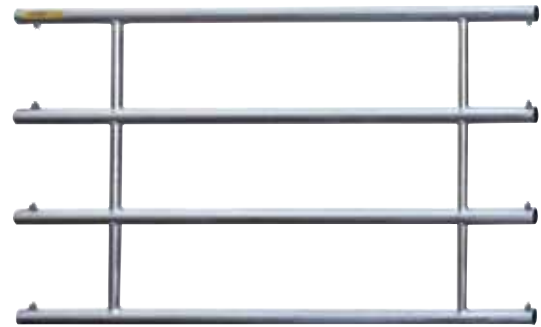
Delivered without posts.

■ Number of rails: 5 rails ■ Material: Galvanised steel

Length m	Net weight kg	Code Unit	€ Ex. VAT	Packing Dealer
2.7 to 4	185	112 07 41		
3.6 to 5	201	112 07 43		
4.7 to 6	219	112 07 45		

The dimensions are given for min/max dimensions with the front ends cut.

EXTENDABLE 2 -ENTRY UNIT



Various uses possible.

Front ends [page 61-63](#)

Thanks to their Ø 60.3 mm bodies, these units can accommodate Ø 48.3 mm front ends of any kind, while being extendable at each end.

■ Diameter: 60.3 mm

■ Material: Galvanised steel

■ Height: 115 cm

Number of rails	Length m	Space between rails mm	Net weight kg	Code Unit	€ Ex. VAT	Packing Dealer
4 rails	1	300	19.4	115 18 21		
	2		32.4	115 18 23		
	3		46.8	115 18 25		
5 rails	1	210	25	115 17 31		
	2		41	115 17 33		
	3		59	115 17 35		

Ø 22 MM THREADED EYE BOLT

Pack features:

- 1 22 mm M threaded eye bolt
- 3 Ø 22 mm nuts.
- screws for five retaining nuts to lock barrier rails.



Diameter mm	Length mm	Net weight kg	Code Pack	€ Ex. VAT	Packing Dealer
22	220	0.9	115 50 01		

4-RAILS BLOCKING PANEL UNIT



Example of the installation of a complete 4-rails tube unit, length 2.7 to 4 m. Presented on two posts with brackets, not supplied.

Complete blocking panel featuring:

- 1 4-rails headlock front end (112 07 36),
- 1 front end with 4-rail human or calf opening (115 18 14),
- 1 extendable 4-rails unit (115 18 21),
- 1 double gate panel (112 07 33),
- 1 wall spreader (112 07 39),
- 1 pair of single brackets (1115 21 01).

Allow for at least 500 mm of overlapping with the front ends.

Delivered without posts.

■ Number of rails: 4 rails ■ Material: Galvanised steel

Length m	Net weight kg	Code Unit	€ Ex. VAT	Packing Dealer
2.7 to 4	182	112 07 51		
3.6 to 5	195	112 07 53		
4.7 to 6	211	112 07 55		

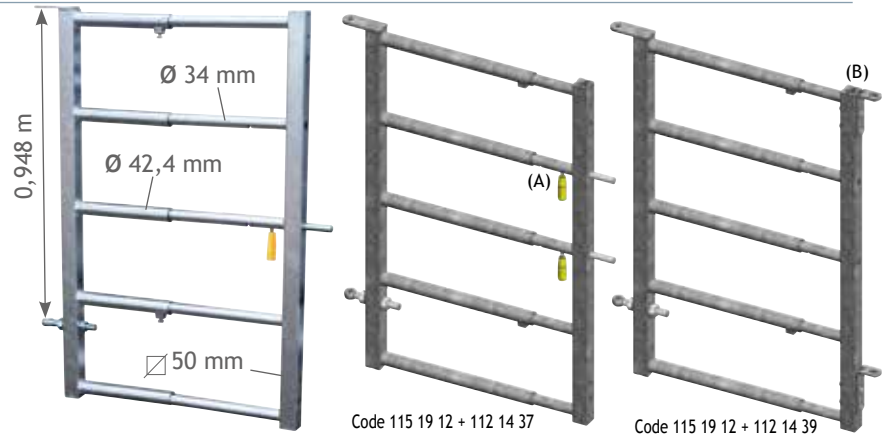
The dimensions are given for min/max dimensions with the front ends cut.

EXTENDABLE 5-RAILS (Ø 42.4 MM) GATE

Quick fastening and adjustment thanks to a flat bracket on the top and a threaded eye bolt in a sleeve on the lower part. Factory fitted with an EASYLOCK automatic latch guided in the pin of a rail. As required, can be fitted with a second automatic latch (A) to mount in the pin of a second rail and/or fastening flat brackets (B) to mount on the front upright to convert it into a panel.

- Model: Extendable
- Height: 1.15 m
- Fastening centre distance: 94.8 cm
- Number of rails: 5
- Material: galvanised steel

Length m	Net weight kg	Code Unit	€ Ex. VAT	Packing Dealer
0.69 to 1.13	20.2	115 19 12		
0.89 to 1.33	27.5	115 19 14		

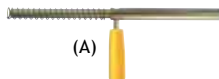


EXTRA "EASYLOCK" AUTOMATIC LATCH

+PRODUCT Can be assembled on a rail. Safe.

Ø 20 mm "EASYLOCK" automatic latch with spring and handle. Delivered in a pack. Compatible with extendable Ø 34 mm gate front ends, the multi-purpose Ø 34 mm field barrier front, and the Ø 48.3 mm automatic latch front for stall rail barrier

Net weight kg	Code Unit	€ Ex. VAT	Packing Dealer
2.5	112 14 37		

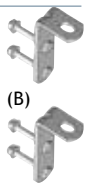


FASTENING PLATE FOR PANEL

Pair of fastening flat brackets to screw on. Delivered with four bolts and nuts. Compatible with the Ø 34 mm multi-purpose pasture front end and the Ø 42.4 mm extendable front gates. Not compatible with the 6 to 7 m back.

- Material: Galvanised steel
- Fastening centre distance: 94.8 mm

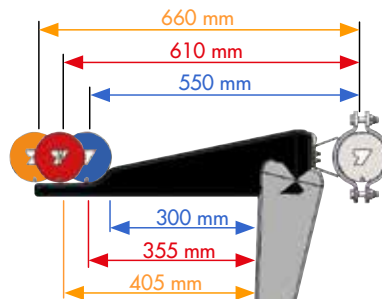
Net weight kg	Code Pair	€ Ex. VAT	Packing Dealer
1	112 14 39		



SECURIPASS GATE



Center distance between posts



Human gates side

This side comes against the post. Adjustment range 120 mm

+PRODUCT **Sturdy and safe.** Suitable for all types of livestock farm.

PATENTED



Can be used:
 - Alone or face-to-face;
 - On post with Ø 102 mm clamps (factory fitted);
 - Wall mounted using the omega brackets (option).
 Ideal for obstructing the vision of animals and securing openings for humans in tubular structures and handling facilities. It offers the farmer quick-push access to their facilities. Designed to be top/bottom reversible

- Material: rotomolded polyethylene
- System: two-way opening
- Height: 1.15 m
- Width: 0.56 m
- Thickness: 0.14 m

Colour	Net weight kg	Code Unit	€ Ex. VAT	Packing Dealer
Black	19	115 19 21		

PAIR OF WALL FASTENING FOR SECURIPASS GATE

Reversible fastening with reinforcing side plate. Delivered in pairs.

- Fastening: wall
- Material: Galvanised steel

Code Pair	€ Ex. VAT	Packing Dealer
115 19 23		



TUBE SUPPORTS AND PROTECTION FOR POLYBAC AND POLYTHERME DRINKERS LA GÉE



Tube drinker units avoid masonry while offering visibility, protection, and full integration of a drinker into a tube structure.

Single unit designed to accommodate La Gée drinkers:

- Polybac M - tilting - 30 litres
- Polytherme - 1 ball or 1 bowl models - 40 litres

Double unit designed to accommodate La Gée drinkers:

- Polybac M - tilting - 75 litres
- Polytherme - 2 bowl models - 75 litres

Delivered without post.

Model	Length m	Width m	Height m	Net weight kg	Code Unit	€ Ex. VAT	Packing Dealer
single	734	535	1158	29	115 21 91		
double	1,545	503	1158	35	115 21 93		

+PRODUCT Quick to install. Masonry not required.

PATENTED

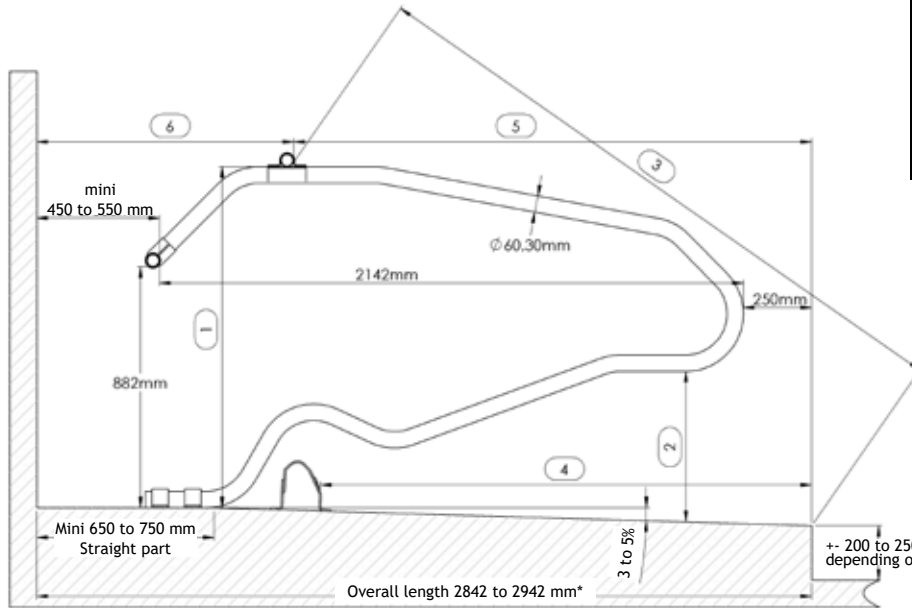
Typical installation: single-row against a wall and straight neck rail presented with the Wellfare cubicle.

Example with welfare cubicle code 115 02 02 for adult cows -

Installation: one row against a wall and with straight neck rail code 115 01 12

Recommended installation with a post installed every 5 to 6 stalls.

Cow size	SMALL	MEDIUM	LARGE
- Diagonal length	158 cm	173 cm	178 cm
- Withers height	136 cm	141 cm	147 cm
Dimensions « 1 »	1250mm		
Dimensions « 2 »	550mm		
Dimensions « 3 »	2198mm	2319mm	2361mm
Dimensions « 4 »	1650mm	1800mm	1850mm
Dimensions « 5 »	1750mm	1900mm	1950mm
Dimensions « 6 »	1092mm	1042mm	992mm



Wellfare cubicle

Width between 2 cubicles from 1.20m to 1.25m - Drawing showing the dimensions for a "MEDIUM" cow frame with a 3% slope

* It is possible to have a larger dimension; in this case, leave the extra space between the wall and the post.
Overall length = 2842 mm (2142 mm + 250 mm + 450 mm)

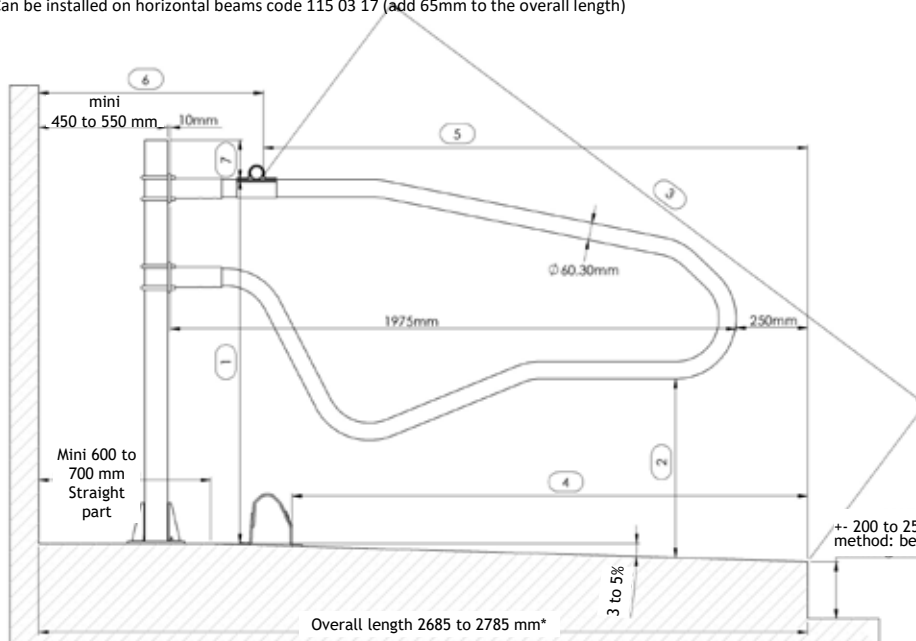
Typical installation : single-row against a wall and straight neck rail presented with the Supercomfort cubicle.

Example with Supercomfort cubicle L 1.97m code 115 04 12 for adult cows

Installation: one row against a wall and with a straight neck rail code 115 01 12

Can be installed on horizontal beams code 115 03 17 (add 65mm to the overall length)

Cow size	SMALL	MEDIUM	LARGE
- Diagonal length	158 cm	173 cm	178 cm
- Withers height	136 cm	141 cm	147 cm
Dimensions « 1 »	1230mm	1270mm	1300mm
Dimensions « 2 »	584mm	624mm	654mm
Dimensions « 3 »	2185mm	2330mm	2388mm
Dimensions « 4 »	1650mm	1800mm	1850mm
Dimensions « 5 »	1750mm	1900mm	1950mm
Dimensions « 6 »	935mm	785mm	735mm
Dimensions « 7 »	178mm	138mm	108mm



Cubicle on post

Width between 2 cubicles from 1.20m to 1.25m—Drawing showing the dimensions for a "MEDIUM" cow frame with a 3% slope

* It is possible to have a larger dimension; in this case, leave the extra space between the wall and the post.
Overall length = 2685 mm (1975 mm + 250 mm + 450 mm + 10 mm)
Also available in length 1.76 m code 1150410

ON -FEET CUBICLE



Good lateral contention.
Good value for money.

They are more cost effective but cannot be adjusted after mounting.



ON-FEET CUBICLE TO EMBED

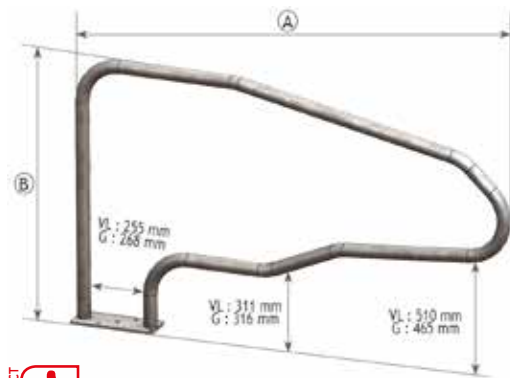


Single-foot cubicle to embed can be directly embedded in the concrete slab. Sealing depth: 330 mm.

Material: Galvanised steel

Model	Diameter mm	Thickness mm	Length mm (A)	Height mm (B)	Net weight kg	Code Unit	€ Ex. VAT	Packing Dealer
adult cow	60.3	2.9	2060	1220	27	115 01 01		

ON-FEET CUBICLE ON A MOUNTING PLATE



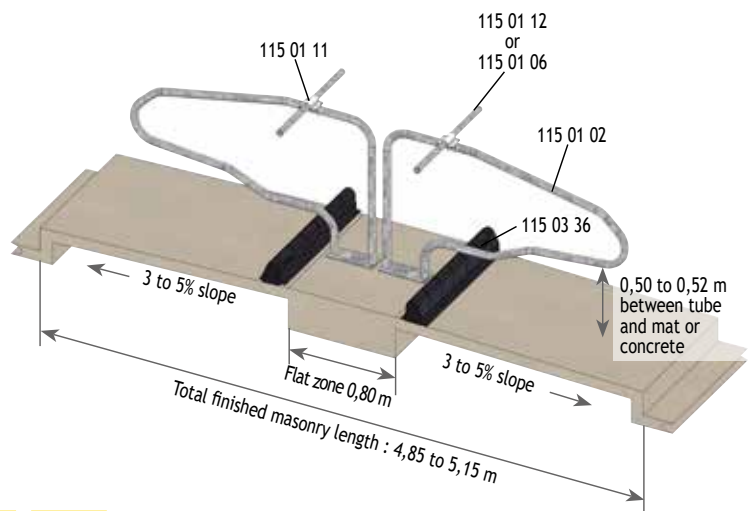
Easy fastening on a mounting plate.

On-foot cubicle divider on a mounting plate are designed to be directly screwed on a concrete slab.
Mounting plate dimensions: 150 x 390 mm - thickness: 10 mm.

Material: Galvanised steel

Model	Diameter mm	Thickness mm	Length mm (A)	Height mm (B)	Net weight kg	Code Unit	€ Ex. VAT	Packing Dealer
heifer	48.3	2.5	1800	1060	19	115 03 05		
adult cow	60.3	2.9	2060	1230	32	115 01 02		

Examples of head to head installation with on-foot cubicles



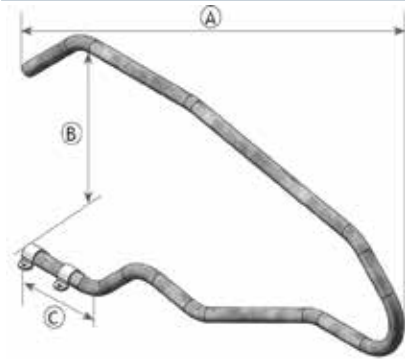
Mounting dimensions are provided for information only for all of our models. To adapt to the age of the animals and the type of bedding selected.



FREE-STANDING CUBICLE

Free-standing cubicle can be mounted in single or double rows without requiring posts.

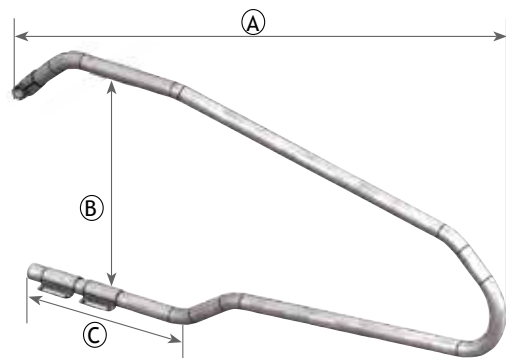
WELFARE FREE-STANDING CUBICLES



Floor-mounted. Shape designed to allow cubicle retainers to pass underneath in a complete row. Delivered without floor fastenings. ■ Material : Galvanised steel

Model	Ø mm	Thick-ness mm	Length mm (A)	Height mm (B)	Intermediate length mm (C)	Net weight kg	Code Unit	€ Ex. VAT	Packing Dealer
adult cow	60.3	3.2	2195	1250	330	23	115 02 02		

PACIFIC FREE-STANDING CUBICLES



■ Material: Galvanised steel

Designed to be mounted on a concrete raising extension of about 250 mm or on metal fastening supports 115 02 07 or 115 02 08 specifically designed for this. Delivered without floor fastenings .

Model	Diameter mm	Thickness mm	Length mm (A)	Height mm (B)	Intermediate length mm (C)	Net weight kg	Code Unit	€ Ex. VAT	Packing Dealer
adult cow	60.3	3.2	2090	980	874	22	115 02 01		



Good lateral contention. Simple and economical to mount.

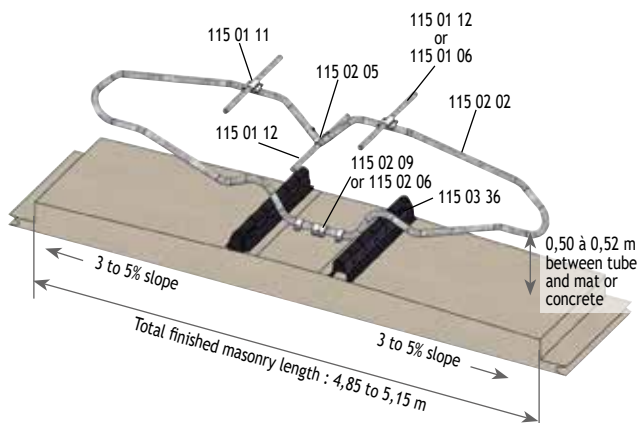


LIVESTOCK BUILDING FIT-OUT FOR CATTLE

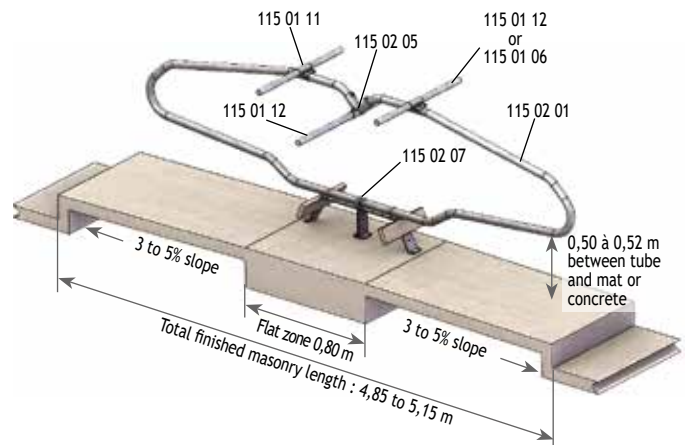
Fixing supports ▶ page 82

Examples of head to head installation of free-standing cubicle

Example of WELFARE free-standing cubicle divider face-to-face mounting

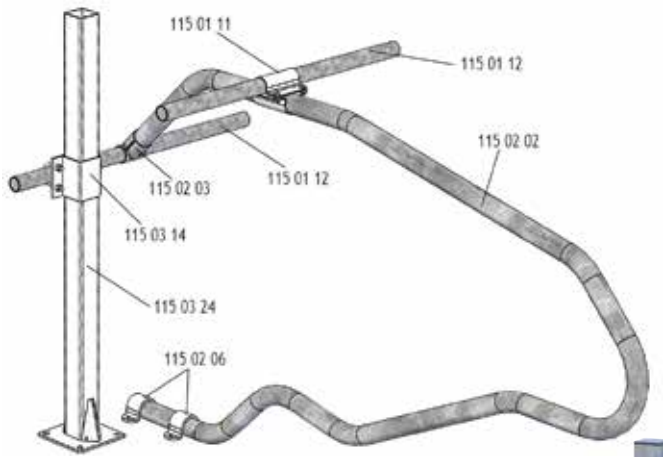


Example of PACIFIC free-standing cubicle divider face-to-face mounting



Mounting dimensions are provided for information only for all of our models. To adapt to the age of the animals and the type of bedding selected.





SQUARE 80 X 80 MM POST



Mounting plate with stamped reinforcement armpits.

Ideal to reinforce single or double rows of self-supporting cubicle dividers. Square 80 mm post to distribute as required over the structure's length.

■Material: Galvanised steel ■Fastening: On plate 200x200 mm

Height m	Net weight kg	Ref. Unit	U € HT	Colisage Distributeur
1.35	16	115 03 24		

FASTENING BRACKET WITH Ø 49 MM U-BOLTS FOR SQUARE 80 X 80 MM POST

This bracket fastens onto square 80 x 80 mm posts. The U-bolts accommodate the Ø 49 mm wither bar which serves and a reinforcement behind the single or double lines of self-supporting cubicle dividers. Sold in pairs.

Compatible with "Pacific" and "Welfare" cubicle dividers.

Model	Packaging	Net weight kg	Code Pair	€ Ex. VAT	Packing Dealer
single	Pair	2	115 03 14		

DOUBLE CONNECTION FOR CUBICLE

V-shaped connection comprising a Ø 60 mm sleeve and two Ø 70 mm sleeves. Compatible with the "Pacific" and "Welfare" cubicle mounted in double rows.

Ø mm	Net weight kg	Code Unit	€ Ex. VAT	Packing Dealer
60/70	2.1	115 02 05		



SINGLE CONNECTION FOR CUBICLE

Staple clamp for the connection of "Pacific" or "Welfare" cubicle dividers mounted in a single row.

Staple clamp



Diameter mm	Net weight kg	Code Unit	€ Ex. VAT	Packing Dealer
60 / 49	2	115 02 03		

PAIR OF FLOOR FASTENING SUPPORTS FOR FREE-STANDING CUBICLE

➤ 2 possibilities:

PAIR OF OMEGA BRACKET TO FASTEN FREE-STANDING CUBICLES TO THE FLOOR



To fasten "Pacific" and "Welfare" cubicle to the floor.

Diameter mm	Thickness mm	Fastening centre distance mm	Net weight kg	Code Pair	€ Ex. VAT	Packing Dealer
60	8	113	2	115 02 06		

PAIR OF FLOOR FASTENING 1/2 BRACKET FOR FREE-STANDING CUBICLES

To fasten "Pacific" and "Welfare" cubicles dividers to the floor.



Length mm	Diameter mm	Net weight kg	Code Pair	€ Ex. VAT	Packing Dealer
140	60	1.5	115 02 09		

FLOOR FASTENING SUPPORT FOR FREE-STANDING CUBICLES



Two purposes:

- Used to fasten raised free-standing cubicles to the floor. - Acts as a balljoint support (cubicle retainer) by adding a wooden joist to be fastened on the support.

Delivered with Ø 10 mm U-bolts and screws. For Ø 60.3 mm tubes. Compatible with "Europe", "Continental", "Atlantic" and " Pacific" cubicle dividers.

■Material: Galvanised steel

Model	Height mm	Length mm	Thickness mm	Net weight kg	Code Unit	€ Ex. VAT	Packing Dealer
1 Straight for „Mattress“	245	390	10	8	115 02 08		
2 Straight with extended height for „Mattress“ NEW	325	390	10	8,42	115 02 04		
3 Inclined	250	538	10	7.5	115 02 07		



ADJUSTABLE SUSPENDED CUBICLES

Adjustable suspended cubicle dividers can be mounted in single or double rows either directly on a post or on square 60 mm beams.

In the latter case, transversal adjustment is possible at any time.

They are delivered with a pair of mounting plate ends fitted with a screw lock.

Their fastening is compatible for mounting on a square 80 mm post or on horizontal square 60 mm beams.

NEW



**Quick and easy mounting.
Good lateral contention.
Height and width adjustable.**



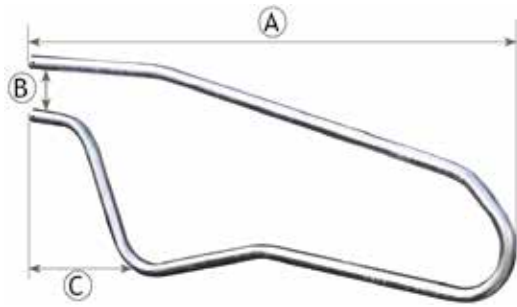
Vertical and horizontal drilling

SUPERCOMFORT CUBICLE

■ Material: Galvanised steel

■ Installation: T-Clamp to order separately

Model	Ø mm	Thickness mm	Length mm (A)	Height mm (B)	Intermediate length mm (C)	Net weight kg	Code Unit	€ Ex. VAT	Packing Dealer
heifer	49	2.5	1,750	220	611	14.5	115 04 82		
a dult cow	60.3	2.9	1,760	206	611	17.5	115 04 10		
large adult cow	60.3	2.9	1,975	250	695	20	115 04 12		

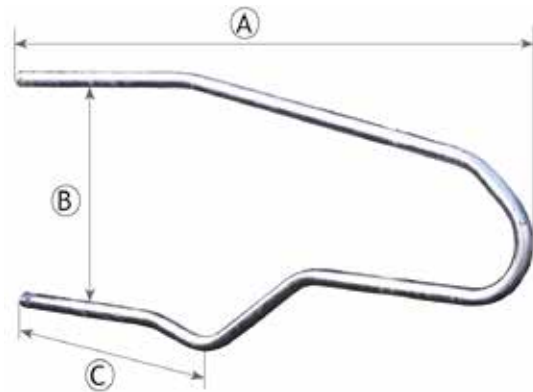


■ Material: Galvanised steel

■ Installation: T-Clamp to order separately

Model	Ø mm	Thickness mm	Length mm (A)	Height mm (B)	Intermediate length mm (C)	Net weight kg	Code Unit	€ Ex. VAT	Packing Dealer
heifer	49	2.5	1,450	540	575	13	115 04 80		
			1,600	650	550	11	115 04 84		
			1,750	590	615	14	115 04 86		
			1,800	700	644	17	115 04 20		
a dult cow	60.3	2.9	1,950	840	675	22	115 04 22		
			2,080	840	825	24	115 04 24		
			2,200	840	945	25	115 04 26		

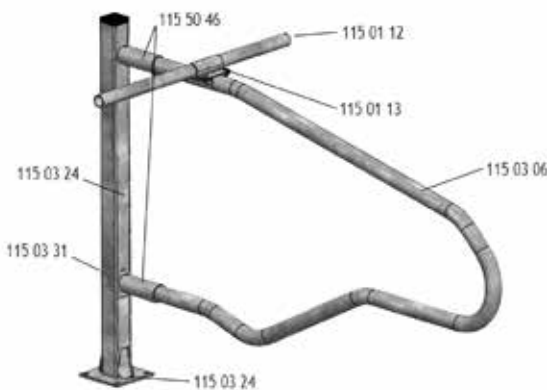
EUROPE CUBICLE



Examples of the installation of suspended cubicle dividers on beams or post

Thanks to their plate fastening ends, these cubicles can be installed directly on posts Ø80mm or beams Ø60mm

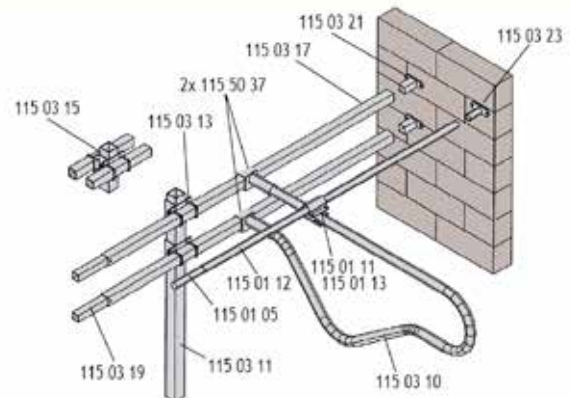
Example of EUROPE cubicle mounted on square 80 mm post



- In case of single row installation, 1 post for 1 cubicle,
- In case of head to head installation 1 post for 2 cubicles.

Non-contractual diagram.

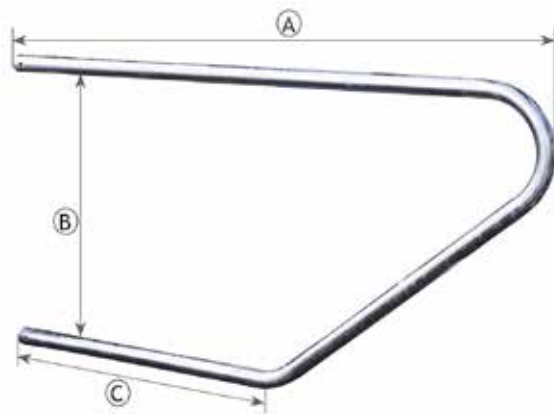
Example of SUPERCOMFORT cubicle mounted on square 60 mm rails



Non-contractual diagram.

Mounting dimensions are provided for information only for all of our models.
To adapt to the age of the animals and the type of bedding selected.

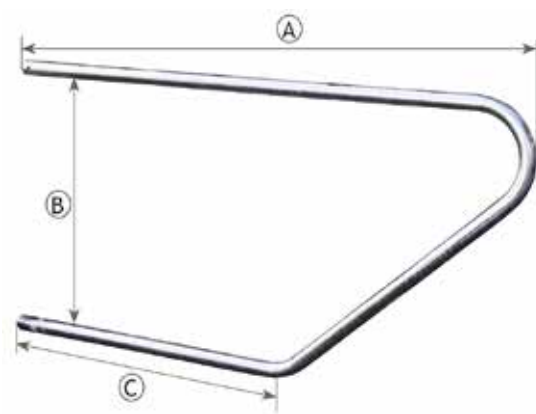
CONTINENTAL CUBICLE



Material: Galvanised steel Installation: T-Clamp to order separately

Model	Ø mm	Thick-ness mm	Length mm (A)	Height mm (B)	Interme-diate length mm (C)	Net weight kg	Code Unit	€ Ex. VAT	Packing Dealer
adult cow	60.3	2.9	2,090	760	1,350	24	115 04 42		

ATLANTIC CUBICLE

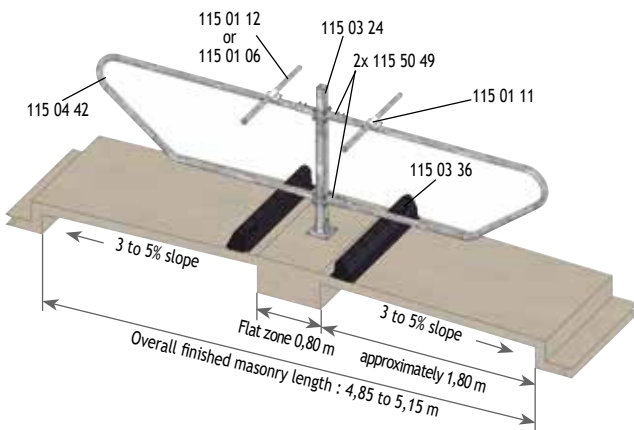


Material: Galvanised steel Installation: T-Clamp to order separately

Model	Ø mm	Thick-ness mm	Length mm (A)	Height mm (B)	Interme-diate length mm (C)	Net weight kg	Code Unit	€ Ex. VAT	Packing Dealer
adult cow	60.3	2.9	2210	990	1,300	24	115 04 52		

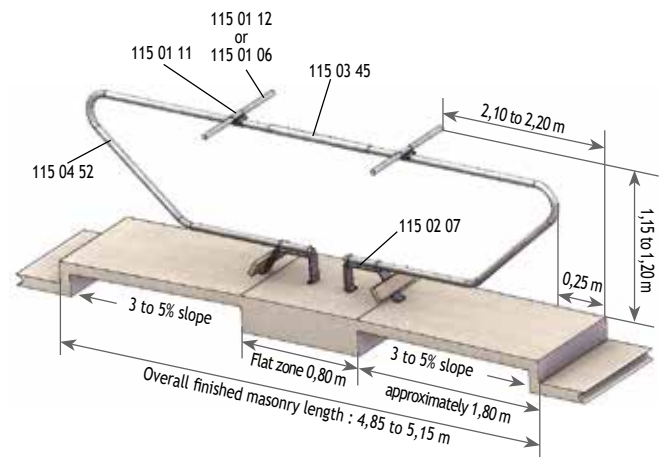
Examples of face-to-face installation of suspended cubicle dividers

Example of CONTINENTAL cubicle head to head mounting directly on post



Non-contractual diagram.

Example of ATLANTIC cubicle divider head to head mounting directly on support



Non-contractual diagram.

Mounting dimensions are provided for information only for all of our models. To adapt to the age of the animals and the type of bedding selected.



SQUARE 80 X 80 MM POST

+PRODUCT **Mounting plate with stamped reinforcement armpits.**

■ Material: Galvanised steel

Fastening	Height m	Net weight kg	Code Unit	€ Ex. VAT	Packing Dealer
To embed	1.70	12.5	115 03 11		
On plate 200x200 mm	1.35	16	115 03 24		

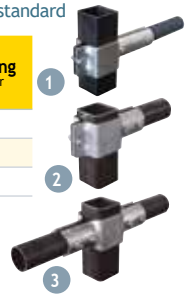


SQUARE T-CLAMP 80 MM FOR CUBICLE Ø60MM/POST 80 MM

Order 2 T-Clamps for 1 cubicle.

■ Material: Galvanised steel ■ Screws delivered as standard

Installation	Ø cubicle mm	Net weight kg	Code Pair	€ Ex. VAT	Packing Dealer
On post 80 mm					
1 Single row	49	1.75	115 50 52		
2	60.3	1.75	115 50 46		
3 Head to head	60.3	1.06	115 50 49		



Ø 76 MM BARED POST TO EMBED

NEW

+PRODUCT **Post on plate with rounded armpits. Safe.**

Bare post with indexing compatible with PE socket Ø 76 mm.

■ Material: Galvanised steel

Fastening	Height m	Net weight kg	Code Unit	€ Ex. VAT	Packing Dealer
to embed	1.70	9	112 38 01		
on mounting plate	1.35	8.2	112 38 03		



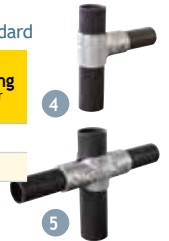
T-CLAMP Ø 76 MM FOR CUBICLE Ø60MM/POST 76 MM

NEW

Order 2 T-Clamps for 1 cubicle.

■ Material: Galvanised steel ■ Screws delivered as standard

Installation	Ø cubicle mm	Net weight kg	Code Pair	€ Ex. VAT	Packing Dealer
4 Single row	60.3	1.06	115 50 31		
5 Head to head	60.3	1.80	115 50 34		



Ø 102 MM BARE POST TO EMBED

NEW

+PRODUCT **Mounting plate with stamped reinforcement armpits.**

With sealing cap. The post should be embedded in the floor by about 47 mm.

■ Material: Galvanised steel

Model	Height m	Net weight kg	Code Unit	€ Ex. VAT	Packing Dealer
To embed	1,68	21	115 21 18		
On mounting plate	1.35	20	115 21 26		



T-CLAMP FOR CUBICLE Ø60MM/POST 102 MM

NEW

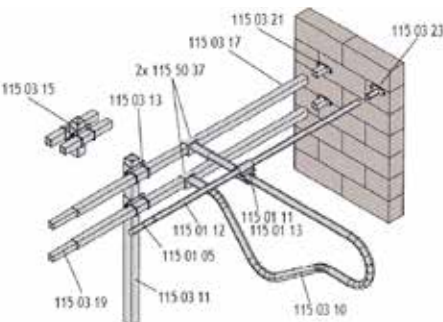
Order 2 T-Clamps for 1 cubicle.

■ Material: Galvanised steel ■ Screws delivered as standard

Installation	Ø cubicle mm	Net weight kg	Code Pair	€ Ex. VAT	Packing Dealer
6 Single row	60.3	1.4	115 50 13		



Superconfort cubicle mounted on square beam 60 mm



Non-contractual diagram

SQUARE T-CLAMP 60 MM FOR CUBICLE Ø 60MM/BEAM 60 MM

Order 2 T-Clamps for 1 cubicle.

■ Material: Galvanised steel ■ Screws delivered as standard

Installation	Ø cubicle mm	Net weight kg	Code Pair	€ Ex. VAT	Packing Dealer
7 Single row	60.3	0.74	115 50 37		
8 Head to head	60.3	1.5	115 50 38		



FASTENING BRACKET WITH U-BOLTS (SQUARE 60 MM) FOR SQUARE 80 X 80 MM POST



These brackets are intended for use on 80 x 80 mm posts. The U-bolts are designed to accommodate 60 x 60 mm beams used to fasten cubicle dividers. Single brackets allow single row installation and double brackets allow double row installation. See diagram page 74

	Model	Packaging	Net weight kg	Code Pair	€ Ex. VAT	Packing Dealer
3	single	Pair	4	115 03 13		
4	double	Pair	4.7	115 03 15		

60 X 60 MM REINFORCED BEAM TO INSTALL CUBICLES

Used to install cubicles. It is used to mount single or double row structures on posts. Two beams per row are required.

Square mm	Length m	Net weight kg	Code Unit	€ Ex. VAT	Packing Dealer
60 x 60	6	30	115 03 17		

FEMALE SLEEVE TO CONNECT 60 X 60 MM REINFORCED BEAMS

Length mm	Square mm	Net weight kg	Code Unit	€ Ex. VAT	Packing Dealer
500	50x50	1.5	115 03 19		

"T"-SHAPED FASTENING END FOR 60 X 60 MM POSTS

This mounting plate is used to fasten the ends of the reinforced beams to the wall.

Net weight kg	Code Unit	€ Ex. VAT	Packing Dealer
0.7	115 03 21		

ADJUSTABLE SUPPORT FOR PVC BALLJOINTS

Fastens on Ø 60.3 mm cubicle dividers and can accommodate a Ø 125 mm PVC tube that serves as a balljoint. Compatible with "Europe", "Continental" and "Atlantic" cubicle dividers.

Net weight kg	Code Unit	€ Ex. VAT	Packing Dealer
3	115 03 34		

FLOOR FASTENING SUPPORT FOR FREE-STANDING CUBICLES



Two purposes:
- Used to fasten raised free-standing cubicles to the floor. - Acts as a balljoint support (cubicle retainer) by adding a wooden joist to be fastened on the support.

Delivered with Ø 10 mm U-bolts and screws. For Ø 60.3 mm tubes. Compatible with "Europe", "Continental", "Atlantic" and "Pacific" cubicle dividers. ■Material: Galvanised steel

Model	Height mm	Length mm	Thickness mm	Net weight kg	Code Unit	€ Ex. VAT	Packing Dealer
5	Straight for „Mattress“	245	390	10	8	115 02 08	
6	Straight with extended height for „Mattress“	325	390	10	8,42	115 02 04	
7	Inclined	250	538	10	7.5	115 02 07	

SUPPORT ADJUSTABLE FOR WOOD BALLJOINTS

Fastens onto the cubicle dividers with the U-bolts supplied and serves as a balljoint support with the addition of a wood joist fastened to the support. Only compatible with "Europe" cubicle dividers.

Net weight kg	Code Unit	€ Ex. VAT	Packing Dealer
3	115 03 33		

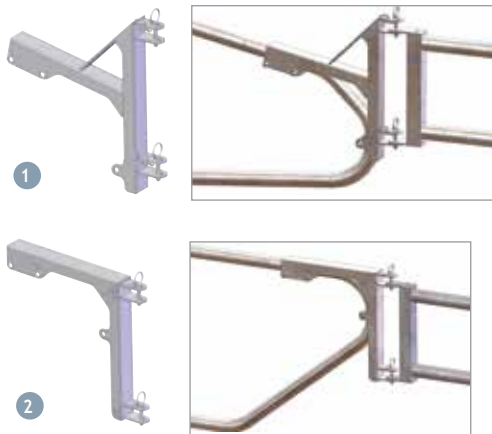
CONNECTION SLEEVE FOR FACE-TO-FACE CUBICLE DIVIDERS

Tube with a Ø 14 mm hole at each end. Drill the cubicle dividers once positioned. This sleeve allows "Europe", "Continental" and "Atlantic" stall dividers to be mounted in eco double rows.

Ø mm	Length mm	Net weight kg	Code Unit	€ Ex. VAT	Packing Dealer
70	850	4.5	115 03 45		



EXTENDABLE TWO-RAIL PANEL SUPPORT FOR CUBICLE DIVIDERS



Can be used to create a cubicle divider corridor partition by fastening an extendable two-rail (Ø 60 mm) panel to it.

■ Material: Galvanised steel

Model	Net weight kg	Code Unit	€ Ex. VAT	Packing Dealer
1 for "Pacific"/"Welfare"/"Single-foot"/"Supercomfort"/"Europe stalls"	7	115 03 28		
2 for "Continental" and "Atlantic cubicle dividers"	7	115 03 26		

EXTENDABLE 4- AND 5 -RAILS PANEL SUPPORT FOR CUBICLES



Adjustable and reversible: it adapts to all cubicles models.

Designed to accommodate 4- or 5-rails (Ø 60.3 mm) rails. Can be used to create a cubicle corridor partition with the possibility of adding an opening for humans.

Compatible with all cubicle divider models.

■ Material: Galvanised steel

■ Fastening centre distance: accommodating 94.8 barrier mm

Net weight kg	Code Unit	€ Ex. VAT	Packing Dealer
17	115 03 27		

EXTENDABLE TWO -RAIL (Ø 60 MM) FEED PANEL OR CUBICLE CORRIDOR PARTITION



Multi-purpose. Extendable.

Designed to be used:

- either as a feed panel for young dairy cows. - or as a cubicle corridor partition for dairy cows, fastened on special two-rail supports.

■ Fastening centre distance: 35 cm

■ Height: 45,55 cm

■ Material: Galvanised steel

Length m	Number of spacers	Net weight kg	Code Unit	€ Ex. VAT	Packing Dealer
2 to 3	1	28	115 09 12		
3 to 4	1	36	115 09 14		
4 to 5	2	45	115 09 16		
5 to 6	3	52	115 09 18		



FLEXISTALL

NEW



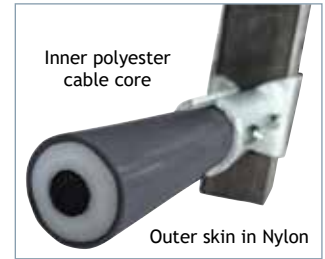
+Product Flexible for animal welfare while preserving respect for the bedding.

These new suspended cubicles in nylon offer a significant advantage for animal welfare. They are both rigid and slightly flexible. The Flexistall are designed with an inner polyester cable core and a food-grade nylon outer layer. The inner polyester cable provides these cubicles with flexibility and shape memory. They offer cattle a comfortable and supportive sleeping area. These new FLEXISTALLE cubicles are pre-drilled horizontally to receive the square T-clamp 80mm / Ø49mm" which allows installation in a single row on an 80 mm square post.

This T-clamp specifically designed for this flexible cubicle provides rigid support over 160mm between the post and the cubicle to improve performance. Thanks to this interface, they are easy to install and remove.

The FLEXISTALL Ø 49mm cubicle can be fitted with our Ø 49mm straight or curved neck rail, offering a sleeping area comparable to metal cubicles while preserving the well-being of cattle in contact with them.

Our FLEXISTALL cubicle is available in two lengths adapted to the morphology of different cattle breeds and building types. UV stabilized and frost resistant. Tested in cold conditions down to -30 °C.

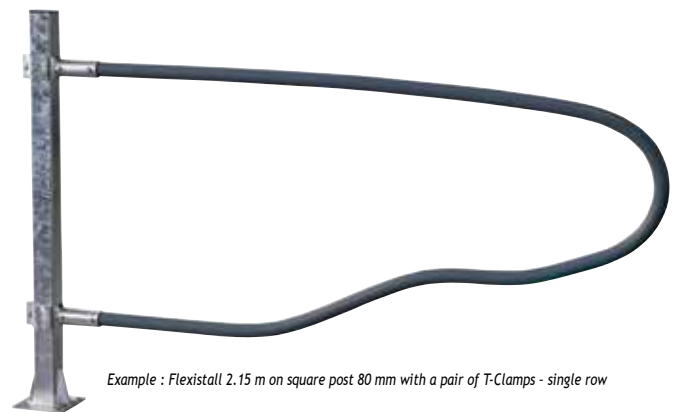
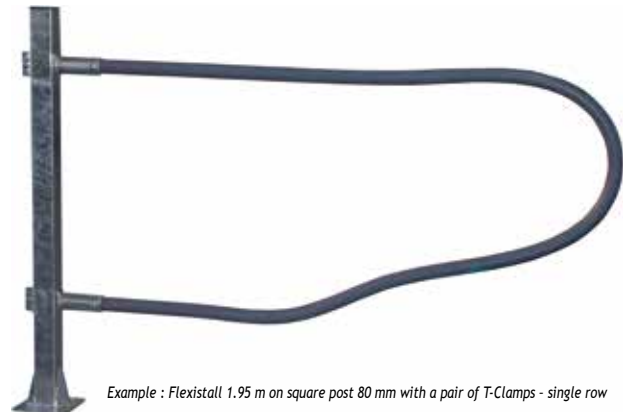
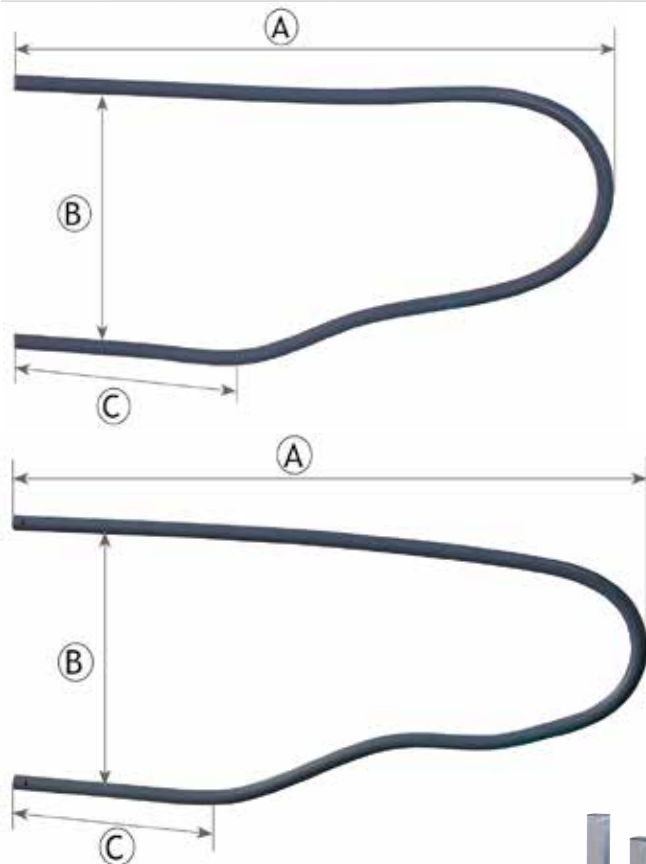


"Ideally equipped with our curved neck rail for better animal welfare."

■ Material: Inner polyester cable and outer skin in Nylon

■ Installation: T-Clamp to order separately

Model	Ø mm	Length mm A	Height mm B	Intermediate length mm C	Code Unit	€ Ex. VAT	Packing Dealer
Adult cow	49	1950	800	750	115 04 70		
and heifer	49	2150	820	750	115 04 73		



SQUARE 80 X 80 MM POST



Mounting plate with stamped reinforcement armpits.

■ Material: Galvanised steel

Fastening	Height m	Net weight kg	Code Unit	€ Ex. VAT	Packing Dealer
To embed	1.70	12.5	115 03 11		
On plate 200x200 mm	1.35	16	115 03 24		

T-CLAMP 80/ Ø 49 MM FOR FLEXISTALL CUBICLE

Order 2 T-Clamps for 1 cubicle.

NEW


■ Material: Galvanised steel

■ Screws delivered as standard

On post Ø 80 mm	Cubicle's Ø mm	Net weight kg	Code Pair	€ Ex. VAT	Packing Dealer
Single row	49	1.75	115 50 52		



PE BRISKET BOARD

-  **Adjustable length.**
- No risk of injury to animals!**
- UV and frost stabilised.**

Its design and material confer numerous advantages:

- No risk of injury to animals;
- Durable;
- A straight side improving animal, bedding, or mat retention;
- A sloping side facilitating manual bedding (if straw is kept at the front of the cubicle);
- Adjustable in length and multi-purpose.

Can be mounted as individual stalls or in a line.

Option: end piece.

■Material: polyethylene resin



PE BRISKET BOARD FINISHING END

Delivered with specifically designed PE screws. ■Material: polyethylene resin

Length m	Width m	Height m	Code Unit	€ Ex. VAT	Packing Dealer
1.20	0.22	0.18	115 03 36		

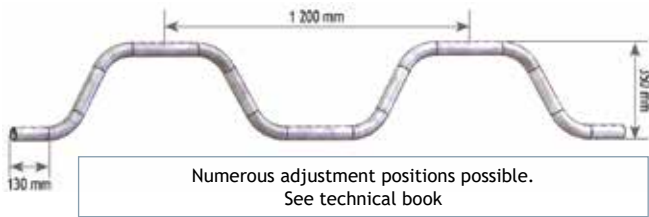
Width m	Height m	Code Unit	€ Ex. VAT	Packing Dealer
0.22	0.18	115 03 37		



Non-contractual photo

NECK RAILS FOR ALL TYPE OF CUBICLES

Ø 49 MM CURVED WITHER BAR FOR GALVANISED CUBICLES AND FLEXISTALLS



Numerous adjustment positions possible.
See technical book



Curved wither bar, respecting animal welfare!

Curved wither bars offer, through their curved shape, many more height positions fostering animal welfare. Numerous adjustment positions possible. Advantages of the curved wither bar:

- more height adjustment positions,
- better centring of the bedding in the cubicle,
- better maintenance of the cubicle divider.

Make sure that you do not set the curved wither bar at a height that is too high for the withers of the cattle. It will not prevent the animals from moving forward. Favour the use of curved wither bars with Supercomfort cubicle dividers mounted on horizontal beams or self-supporting cubicle dividers.

■ Number of places : 2

■ Material: Galvanised steel

Ø mm	Length m	Thickness mm	Net weight kg	Code Unit	€ Ex. VAT	Packing Dealer
49	2.40	2.9	9	115 01 06		

REINFORCED BRACKET FOR WITHER BAR MOUNTING



4 mm reinforcement plate.

Suitable to mount curved wither bars on cubicle dividers.

New

Use	Ø mm	Composition	Net weight kg	Code Unit	€ Ex. VAT	Packing Dealer
1 for Ø 49 mm cubicle divider	49 / 49	double bride avec plaque intermédiaire	1.5	115 01 22		
2 for Ø 60.3 mm cubicle divider	60 / 49	bride avec étriers et plaque intermédiaire	1.5	115 01 21		

"T"-SHAPED FASTENING END ON MOUNTING PLATE FOR Ø 49 MM STRAIGHT OR CURVED WITHER BAR

This mounting plate with narrowed end is used to fasten the ends of a Ø 49 mm wither bar to the wall or the floor.

Net weight kg	Code Unit	€ Ex. VAT	Packing Dealer
0.9	115 03 23		



STRAIGHT Ø 49 MM WITHER BAR FOR GALVANISED CUBICLES AND FLEXISTALLS



Can be used with all types of cubicle dividers.

■ Material: Galvanised steel

Ø mm	Length m	Thickness mm	Net weight kg	Code Unit	€ Ex. VAT	Packing Dealer
49	6	2.9	20	115 01 12		

BRACKET FOR WITHER BAR MOUNTING



Suitable to mounts traight or curved wither bars on cubicle dividers.

Use	Ø mm	Net weight kg	Code Unit	€ Ex. VAT	Packing Dealer
for Ø 49 mm cubicle divider	49 / 49	1.5	115 01 13		
for Ø 60.3 mm cubicle divider	60 / 49	1.5	115 01 11		

NARROWED SLEEVE TO CONNECT A Ø 49 MM STRAIGHT WITHER BAR



Sleeve narrowed to reduce the Ø of the two ends without changing the thickness.

Model	Ø mm	Net weight kg	Code Unit	€ Ex. VAT	Packing Dealer
narrowed	49	0.9	115 01 05		

FEMALE SLEEVE TO CONNECT A Ø 49 MM STRAIGHT WITHER BAR



Very quick dis assembly of wither bars.

Wither bars locked by insert and screw.

Model	Ø mm	Length mm	Net weight kg	Code Unit	€ Ex. VAT	Packing Dealer
female	60	150	1	115 01 04		



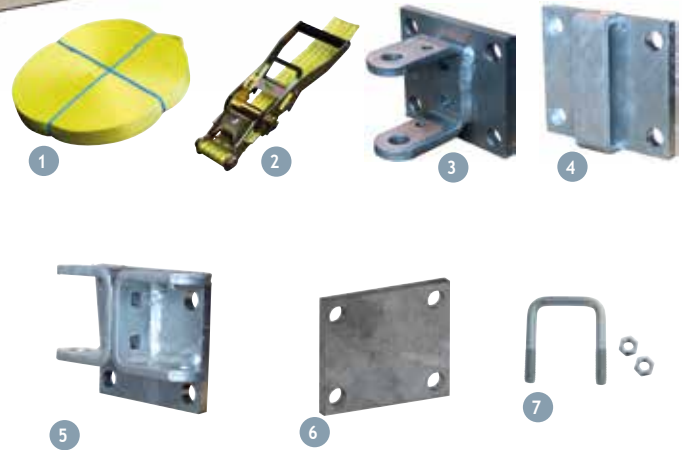
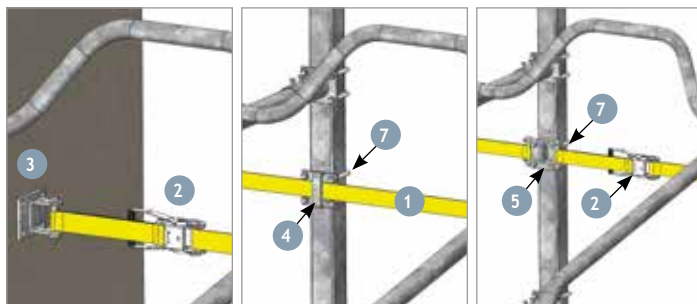
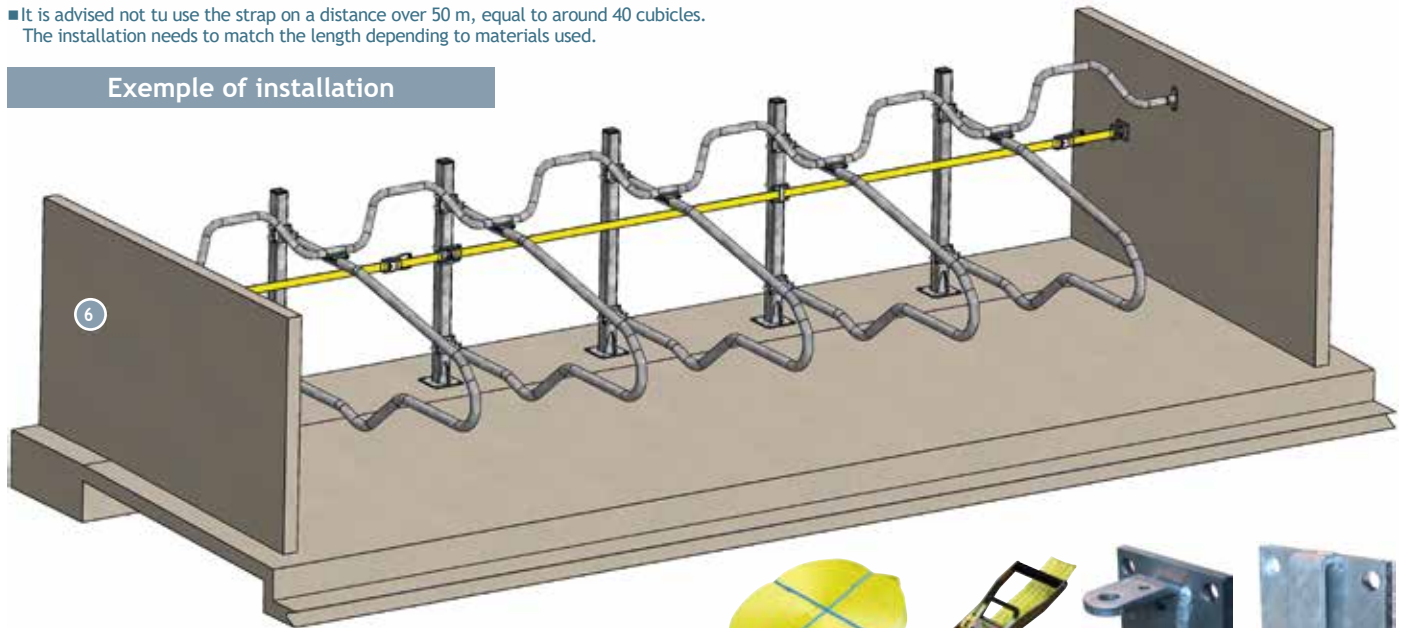
ADVANCE STOP SYSTEM FOR CUBICLES



This cost-effective system avoids the cow to move forward thanks to a smooth process including 50mm-wide woven webbing.

- It is advised not to use the strap on a distance over 50 m, equal to around 40 cubicles. The installation needs to match the length depending to materials used.

Exemple of installation



1 ADVANCE STOP STRAP FOR CUBICLES

finish 1 Ø 50 mm loop

Length m	Width mm	Code Roll	€ Ex.VAT	Packing Dealer
51	50	115 03 71		

Roll of 51 m

2 RATCHET TIGHTENER WITH STRAP (WIDTH: 50 MM)

Length cm	Width mm	Code Unit	€ Ex.VAT	Packing Dealer
30	50	115 03 73		

3 START AND END MOUNTING PLATE FOR A DVANCE STOP STRAP

Mounting plate for 80 x 80 mm cubicle post. Delivered without screws.

Height mm	Fastening centre distance mm	Width mm	Code Unit	€ Ex.VAT	Packing Dealer
104	94	120	115 03 76		

4 STRAP PASS-THROUGH MOUNTING PLATE FOR CUBICLE POST

Mounting plate for 80 x 80 mm cubicle post. Delivered without screws.

Height mm	Fastening centre distance mm	Width mm	Code Unit	€ Ex.VAT	Packing Dealer
104	94	120	115 03 77		

5 INTERMEDIATE MOUNTING PLATE FOR ADVANCE STOP STRAP

Mounting plate for 80 x 80 mm cubicle post. Delivered without screws.

Height mm	Fastening centre distance mm	Width mm	Code Unit	€ Ex.VAT	Packing Dealer
104	94	120	115 03 78		

6 SCREW-ON COUNTER-PLATE

counter-plate for 80 x 80 mm cubicle post.

Used to counter-screw the mounting plate to accommodate the cubicle divider (Ø 48.3 or Ø 60.3 mm) on a post. Delivered without screws.

- Fastening centre distance: 94x74 mm
- Number of holes: 4 at Ø 16 mm
- Material: Galvanised

Length mm	Width mm	Net weight kg	Code Unit	€ Ex.VAT	Packing Dealer
120	104	1	115 03 43		

7 U-BOLT FOR SCREW-ON COUNTER-PLATE

Sold in packs of 4 U-bolts.

- Material: Galvanised
- Ø: 12 mm

Square mm	Fastening centre distance mm	Type of fitting	Net weight kg	Code Pack	€ Ex.VAT	Packing Dealer
80	94	on post	2	115 03 31		

The COSNET Group was founded in 1979 by Gilbert Cosnet, son of a cattle breeder. Since the start, the company has specialized in manufacturing tubular products for farm buildings.

Throughout the years, many entities have been created or integrated to the group in order to develop our livestock equipment range.

Today, Cosnet Industries group holds many major brands in the market and employs around 300 staff over its 14,5 hectares industrial facility near Le Mans, France, at the heart of a recognized livestock region.

Amongst these companies,

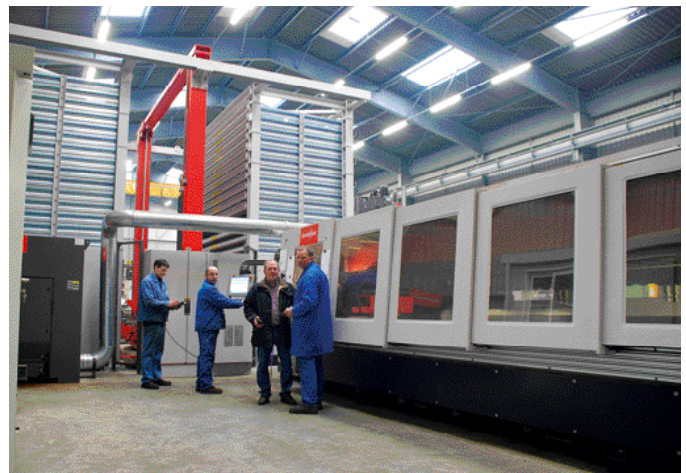


have developed, for over 40 years, a recognized know-how in tubular, from handling to weighing for livestock building.

Thanks to their state-of-the-art industrial machinery and breeders' needs knowledge, our brands offer always more innovative and technical ranges, sold all over the world through a wide distributors network.

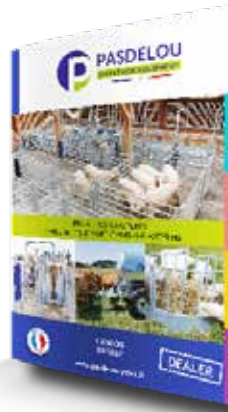
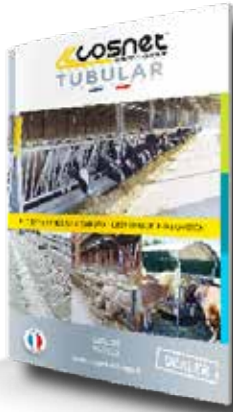
Some of our group's assets :

- Automatized tube-cutting
- Tube laser cutting
- Sheet laser cutting
- Numerous welding robots
- Hot galvanization integrated factory (one of Europe's most moder)
- Efficient assembly lines
- Indoor end-products warehousing

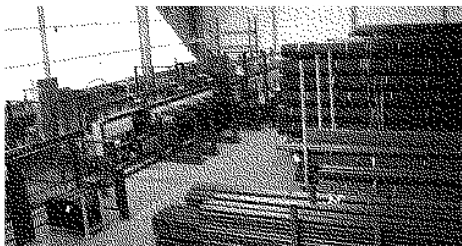
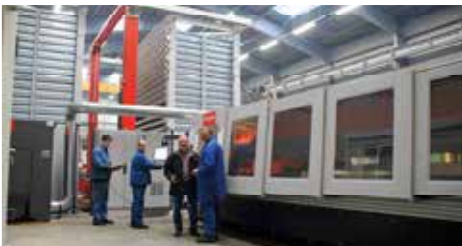




2 complete ranges to answer the breeders needs !



Metallurgy plant - sheet metal laser work...



Metallurgy plant - sheet metal laser work...



Hot-dip galvanisation surface treatment plant...



Group brands and Factories



SAS COSNET

47 Route du Pâtis - CS 75 001
72550 COULANS-SUR-GÉE
Tél. 02 43 88 85 90
advelevage@cosnet.fr
www.cosnet-elevage.fr

Our dealer:

With the aim of continually improving our products, we reserve the right to modify the technical features of a product without prior notice. The dimensions and volumes are provided as examples only. The weights noted in the price catalogue are given as an indication: they may vary depending on steel thickness tolerances and zinc plating during hot dip galvanisation. Pictures and diagrams are not contractually binding. © registered trademark. Hot-dip galvanisation can result in bending and over thickness. Products are sold without display accessories. We may not be held liable in the event of typographic errors. These products are packaged in the form of kits. We may not be held liable for any damage caused by incorrect assembly.

