

MAGAZINE 2026-2027



SINCE
1961

MJS

ABOUT MJS

Machinebouw Jansen Stroe (MJS) has been known for its high-quality milk mixers and liquid mixers since 1961. With the reliable and powerful MJS engine, we continue to evolve to always deliver the highest quality.

Our stainless steel mixers are versatile and suitable for a variety of applications, from artificial milk to oils, pancake flour, medicines and sugar water. The use of high quality stainless steel ensures durability and robustness.

A clever innovation within our range is the Coloheat. This space-saving machine combines heating, pasteurization and mixing in one unit. Perfect for efficiently processing colostrum, while also serving as a mixer.

The Izyfeeder has also proven its worth within the MJS family. This mixer provides easy, precise dosing exactly where you need it - without the hassle of lifting or dragging. The high-quality stainless steel and powerful drive make the Izyfeeder a reliable solution at an attractive price.

For thorough cleaning, the Izywasher offers the solution. With two rotating heads and nozzles, it is ideal for buckets, drinking bowls, crates and more. You can use your own pressure washer, or choose a version with a built-in high-pressure pump.

At MJS, we believe in customization. All our products are produced in-house and can be fully customized to your needs. Together we always find a solution that suits your needs.



STAINLESS STEEL
CRAFTED FOR EXCELLENCE
BUILT TO LAST

MJS

MIXERS ON FEET

UNDER-MOUNTED MOTOR / STAINLESS STEEL

Art. no.	Type	Description
500101	50 RSP	50 liter, with tap, 220-240V
500107	90 RSP	90 liter, with tap, 220-240V
500108	200 RSP	200 liter, with tap, 220-240V
500109	300 RSP	300 liter, with tap, 220-240V

TOP-MOUNTED MOTOR / STAINLESS STEEL

Art. no.	Type	Description
500110	90 RSPB	90 liter, with tap, 220-240V
500111	200 RSPB	200 liter, with tap, 220-240V
500112	300 RSPB	300 liter, with tap, 220-240V



MIXERS ON 4 WHEELS

UNDER-MOUNTED MOTOR / STAINLESS STEEL

Art. no.	Type	Description
700101	50 RSW	50 liter, with tap, 220-240V
700105	90 RSW	90 liter, with tap, 220-240V
700106	200 RSW	200 liter, with tap, 220-240V
700107	300 RSW	300 liter, with tap, 220-240V

TOP-MOUNTED MOTOR / STAINLESS STEEL

Art. no.	Type	Description
700108	90 RSWB	90 liter, with tap, 220-240V
700109	200 RSWB	200 liter, with tap, 220-240V
700110	300 RSWB	300 liter, with tap, 220-240V



MIXERS ON BIG WHEELS (ROBUST VERSION)

UNDER-MOUNTED MOTOR / STAINLESS STEEL

Art. no.	Type	Description
600101	50 RSBW	50 liter, with tap, 220-240V
600102	90 RSBW	90 liter, with tap, 220-240V
600103	200 RSBW	200 liter, with tap, 220-240V



COMBIMIXERS

UNDER-MOUNTED MOTOR / STAINLESS STEEL - EQUIPPED WITH PUMP, TAP AND STAINLESS STEEL PIPES AS STANDARD

Art. no.	Type	Description
900113	90 RSWC	90 liter, 90/10, 220-240V pump
900114	200 RSWC	200 liter, 90/10, 220-240V pump
900115	300 RSWC	300 liter, 90/10, 220-240V pump
900116		Additional price voor liquid feed mixer

Art. no.	Type	Description
900200	90 RSWC12	90 90 liter, 12V pump
900201	200 RSWC12	200 90 liter, 12V pump
900202	300 RSWC12	300 90 liter, 12V pump



COMBIMIXERS ON BIG WHEELS

UNDER-MOUNTED MOTOR / STAINLESS STEEL - EQUIPPED WITH PUMP, TAP AND STAINLESS STEEL PIPES AS STANDARD

Art. no.	Type	Description
800101	90 RSBWC	90 liter, 90/10, 220-240V pump
800102	200 RSBWC	200 liter, 90/10, 220-240V pump

Art. no.	Type	Description
800103	90 RSBW12	90 liter, 12V pump
800104	200 RSBW12	200 liter, 12V pump



ROUGH TERRAIN MIXERS

UNDER-MOUNTED MOTOR / STAINLESS STEEL - STANDARD WITH PUSH ROD AND INCL. LID

Art. no.	Type	Description
800107	90 RSBW3	90 liter, motor, 220-240V
800108	90 RSBWC3	90 liter, motor and pump, 220-240V
800109	90 RSBW3-12	90 liter, 12V pump/motor, 220-240V

Art. no.	Type	Description
800110	200 RSBW3	200 liter, motor, 220-240V
800111	200 RSBWC3	200 liter, motor and pump, 220-240V
800112	200 RSBW3-12	200 liter, 12V pump/motor, 220-240V



Prices and delivery times of rough terrain mixers larger/smaller than 90 or 200 L on request

* All mixer types are also available as a transport tank (without mixing motor)

ACCESSOIRES

ACCESSORIES AND PARTS FOR MIXERS

Art. no.	Description
290128C	Additional charge PU wheels 20 cm (pneumatic tire without air)
192101	Milkheater type MTH 105 220V, 2000W, L=100 cm stainless st.
192102	Milkheater type MTH 160 220V, 2000W, L=80 cm aluminium
192103	Mounting Brackets for milkheater
193101	Nitrogen temperature gauge (120°C) 60cm
193102	Nitrogen temperature gauge (120°C) 80cm
193103	Nitrogen temperature gauge (120°C) 100cm
193104	Nitrogen temperature gauge (120°C) 125cm
193105	Nitrogen temperature gauge (120°C) 150cm
193109	Connection blocks for temperature meter (2 pieces)
191110	Lid 50 liter (Stainless steel)
191111	Lid 90 liter (Stainless steel)
191112	Lid 200 liter (Stainless steel)
191113	Lid 300 liter (Stainless steel)
191108	Lid 200 liter incl. hinge and clamp (Stainless steel)
310116	Tap Gun MJS - Stainless steel (discontinued model, while supplies last)
311117	Tap Gun MJS - lightweight
191114	GPI flow meter



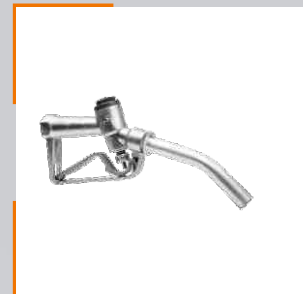
MOTOR PARTS

Art. no.	Description
250135	Seal kit (suitable for all motors)
250136	Overhaul set with barrel bush
250101	Pulsator cap MJS II-E RVS 50/90Ltr
250102	Pulsator cap MJS IV-E RVS 200/300Ltr
250104	Motor baseplate (suitable for all mixers)
250105	Motor baseplate rubber (2 pieces)
250106	Motor conversion plate without seal
250107	Seal 12.30.08 MJS II-E/MJS IV-E 50 t/m 300ltr
250108	Seal 16.30.08 for overhaul set
250112	Kit with bolts and washers (suitable for al motors)
250113	Stainless steel barrel ø 12x16



TAP GUN PARTS

Art. no.	Description
350102	Lever for tapgun
350103	Cap for tapgun
350104	Outlet pipe for tapgun
350105	Spring for tapgun
350106	Nut for tapgun
350107	Circlip for tapgun
350108	Valve for tapgun
350109	Lifting axle for tapgun
350110	Nylon canister for tapgun
350111	Bushing nut for tapgun
350112	Cotton packaging for tapgun
350113	Sliding bolt for tapgun



MOTORS FOR MIXERS (COMPLETE)

MOTORS COMPLETE WITH SEAL AND PULSATOR FOR UNDER-MOUNTED MIXERS, IN CLOSED VERSION IP44. WITH THERMAL MOTOR PROTECTION.

Art. no.	Description
170101	TYPE MJS II-E - 220/240 V 50Hz 1400 rpm, 0,25 kW (suitable for 50 and 90 L mixers)
170102	TYPE MJS IV-E - 220/240 V 50Hz 1400 rpm, 0,55 kW (suitable for 200 and 300 L mixers)



MOTORS FOR MIXERS (BARE)

BARE MOTORS; WITHOUT SEAL AND PULSATOR ETC. WITH THERMAL MOTOR PROTECTION.

Art. no.	Description
999143	TYPE MJS II-E - 220/240 V 50Hz 1400 rpm, 0,25 kW (suitable for 50 and 90 L mixers)
999144	TYPE MJS IV-E - 220/240 V 50Hz 1400 rpm, 0,55 kW (suitable for 200 and 300 L mixers)



AGITATORS LOOSE (FOR TOP MOUNTED MOTORS)

Art. no.	Description
170111	0,55 kW 220/240 V 90 liter mixer
170112	0,55 kW 220-240 V 200 / 300 liter mixer Bigger agitators available on request
260127	Motor support for overhead agitator, RVS 90 liter
260128	Motor support for overhead agitator, RVS 200 liter
260129	Motor support for overhead agitator, RVS 300 liter



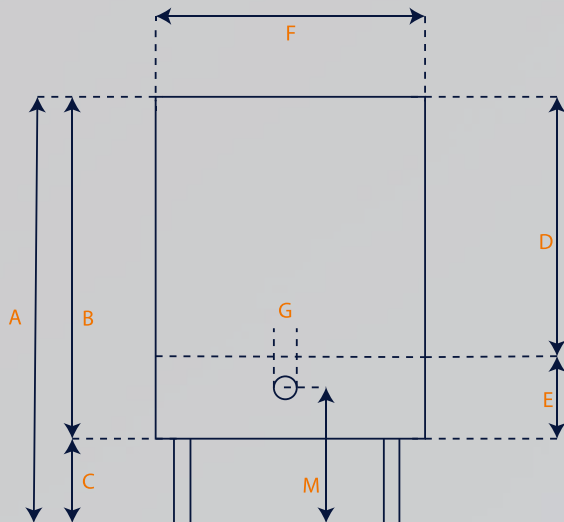
STAINLESS STEEL MILK PUMPS

Art. no.	Description
360101	Milkpump EBARA type CDXM 90/10 1 Pk - 0,75 kW, 230 V
360102	Milkpump EBARA type CDX 90/10 1 Pk - 0,75 kW, 400 V
360107	Milkpump EBARA type CDX 200/20 2 Pk - 1,5 kW, 400 V
360108	Milkpump EBARA type CDX 200/25 2,5 Pk - 1,85 kW, 400 V
360112	Milkpump EBARA type 2CDX 200/30 3 Pk - 2,2 kW, 400 V

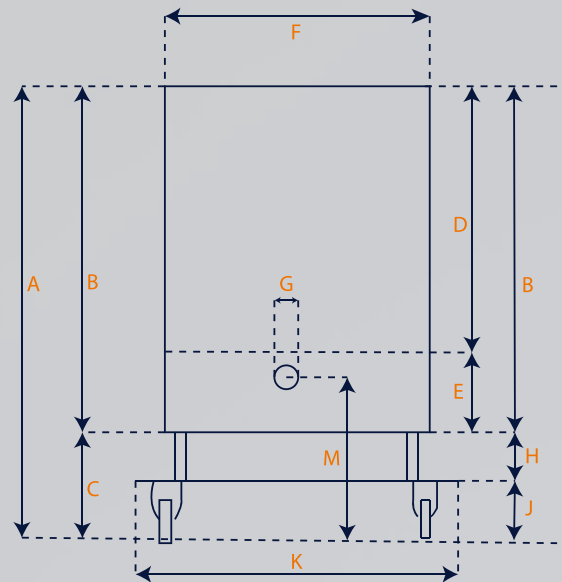


MEASUREMENTS MIXERS

MIXERS ON FEET



MIXERS ON 4 WHEELS



TYPE	50 RSP	90 RSP	200 RSP	300 RSP	50 RSW	90 RSW	200 RSW	300 RSW	90 RSBW	200 RSBW	200 RSBW-3
A	79,5	95	105,5	112	98,5	107,5	118	115,5	111	118	118
B	58,5	73,5	78,5	78,5	58	73,5	78,5	78,5	73,5	78,5	78,5
C	20	21	27,5	33,5	40	34	39,5	37,5	38	40	40
D	41	57	60	67,5	41	57	60	67,5	57	60	60
E	17,5	16,5	18,5	11	17,5	16,5	18,5	11	16,5	18,5	18,5
F	42	47,5	67,5	77,5	42	47,5	67,5	77,5	47,5	67,5	67,5
H					20	14,5	13	14	14	13	13
J					19	19	23,5	23,5	23,5	24	24
K					53	53	71	78	76	86	135x86
M	29,5	28,5	38	38	49,5	42	50	41,5	50	41,5	45
KG	20	22,5	33	37	34	37	53	61,5	38	50	54,5



MIXING - HEATING - PASTEURIZATION

With our Coloheat you don't only save yourself some money, but a lot of space in your feeding kitchen as well. Warming up the colostrum, pasteurization and mixing has never been so easy to combine. We've developed our Coloheat especially to optimize the space in your feeding kitchen as well as the efficiency of your colostrum bags. Besides the pasteurization and heating, it is possible to use the Coloheat for mixing as well.

1. MIXING

On position 1, you can use the Coloheat as a 'normal' mixer for mixing by example: milk powder or medicine.

2. HEATING

On position 2, you can use the Coloheat for heating any colostrum bags or even bottles quickly (± 15 mins.). It's even possible to heat raw milk in the tank up to 42°C.

3 PASTEURIZATION

On position 3, you can use the Coloheat for pasteurization. When doing this, the colostrum will be heated up to 60°C in 60 minutes. Automatically after heating it up, the colostrum will be cooled down to tap water temperatures (15-20°C). When the colostrum is completely cooled down and when it suites you, you can place the colostrum bags in your fridge or freezer.

COLOHEAT

Art. no.	Description
200102	Coloheat 3 in 1





THE NEWEST GENERATION OF WASHERS.

This unique washer works with two rotating heads, each with two nozzles. With that, all the parts that need cleaning, will be washed thoroughly. And the easy part: for water supply you can just hook up your own high-pressure cleaner.

Our Izywasher is perfectly suitable for cleaning your crates, flower pots, buckets, drinking bowls etc. either with cold or warm water.

IZYWASHER

Art. no.	Description
200015	Izywasher Farmers edition
200011	Izywasher Horti edition (with output plate)
200012	Izywasher 400V Edition - incl. Dibo high-pressure pump



Watch the
product video
here.



IZYFEEDER

BY MJS

Here at MJS, we've had a lot of questions about maybe selling a powered mixer. After thinking it through we've decided to start developing and building one. We are proud to show you our 'Izyfeeder'. A mixer designed to make the feeding of your livestock as easy as possible, without the heavy pulling.

Below we'll set out a few of the advantages at a glance:

1. It comes with a gearless hand throttle, which makes it easy to move forward/backwards without pulling a heavy mixer tank around the stables. And with the booster button even a steep slope is no problem.
2. Due to the nice compact size of the Izyfeeder, you're able to turn in the middle of the aisles.
3. Forgot to recharge the batteries and it runs out while walking? No problem for our Izyfeeder; with a simple switch you'll be able to put the motor in neutral and push it to your nearest outlet. Bye bye worries about empty batteries.
4. The dosing system works with a flowmeter, to make an accurate dosing possible.
5. It comes standard with a under-mounted motor.

IZYFEEDER

Art. no.	Description
300333	Izyfeeder 200 liter - Type: 200RSDD24
300340	Izyfeeder 300 liter - Type: 300RSDD24





YOUR DEALER:

A large white rectangular box intended for a dealer's name and contact information.

